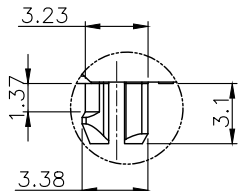
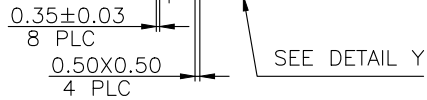
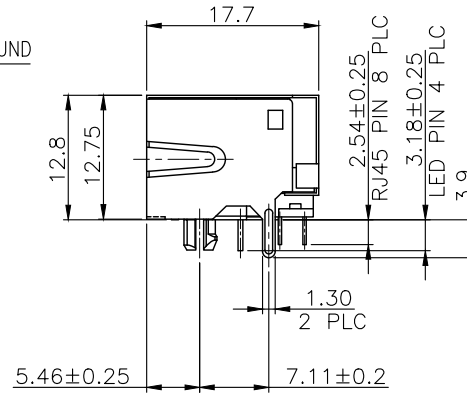
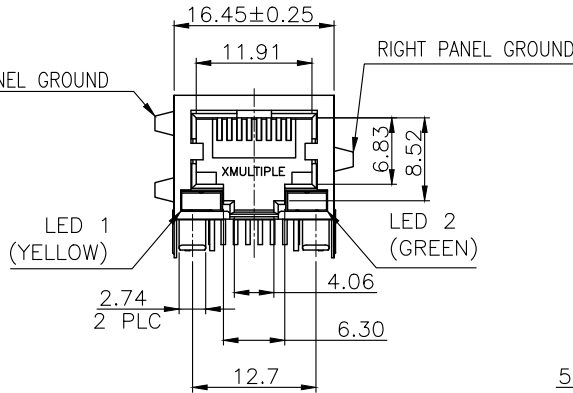
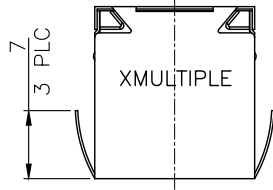
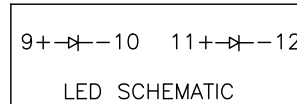
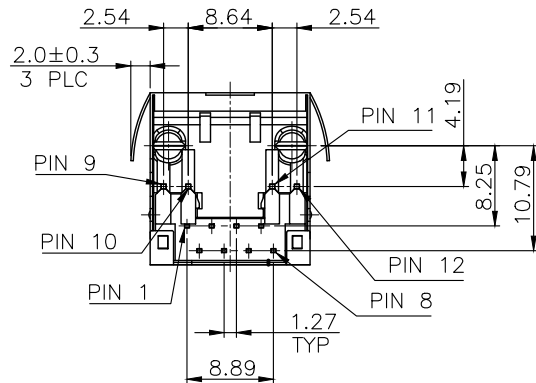


RoHS Compliance



DETAIL Y
SCALE 2:1

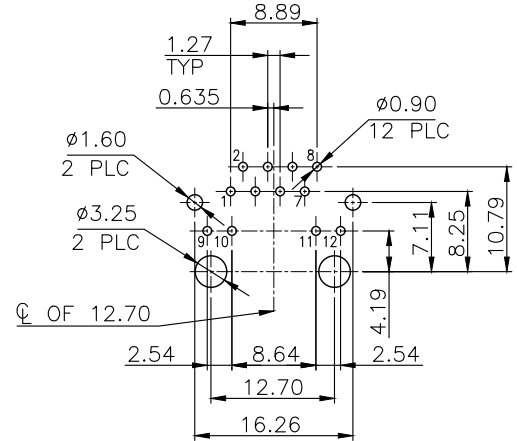


NOTE:

CAVITY CONFIRMS TO FCC RULES AND REGULATIONS PART 68, SUBPART F.

- MATERIAL:
HOUSING: PA46, WITH GLASS FIBER,,
UL 94V-0, STANDARD COLOR-BLACK.
INSERT HOUSING: PA46, WITH GLASS FIBER,
UL 94V-0, STANDARD COLOR-BLACK.
CONTACTS: PHOSPHOR BRONZE.
SHELL: BRASS.
LED SOLDER TAIL: STEEL.

- FINISH:
CONTACTS: 0.381µm [15µ"] GOLD PLATED ON CONTACT AREA
2.54µm [100µ"] TIN PLATED ON SOLDER TAIL,
WITH ENTIRE CONTACT UNDERPLATED
1.27µm [50µ"] MIN. NICKEL
SHELL: 0.508µm [20µ"] MIN. NICKEL PLATED.
LED SOLDER TAIL: 2.032µm [80µ"] MIN. TIN PLATED.



RECOMMENDED PCB LAYOUT
RECOMMENDED PCB THICKNESS: 1.6mm
TOLERANCE: ±0.05 (TOP VIEW)

THIS DRAWING IS A CONTROLLED DOCUMENT.
DO NOT SCALE DRAWING.

DIMENSIONS: MM
TOLERANCES UNLESS OTHERWISE SPECIFIED:

	0 PLC ± -
	1 PLC ± 0.25
	2 PLC ± 0.13
	3 PLC ± 0.05
	ANGLES ± -

MATERIAL: SEE NOTES
FINISH: SEE NOTES

DWN: T. Li
CHK: D. Wang
APVD: R. Tsai
DATE: AUG-03-2015
DATE: AUG-03-2015
DATE: AUG-03-2015



www.xmultiple.com

TITLE
STACKED RJ45 BOTTOM PART CONNECTOR,
W/LED'S, SHIELDED, THRU HOLE

SIZE: A3	CAUGE CODE: -	DRAWING NO: XMDB-9850-8811-S2L2-A
WEIGHT: - GRAMS Ref.	REV: 1	SHEET: 1

LTR	DESCRIPTION	DATE	APVD
REVISIONS			