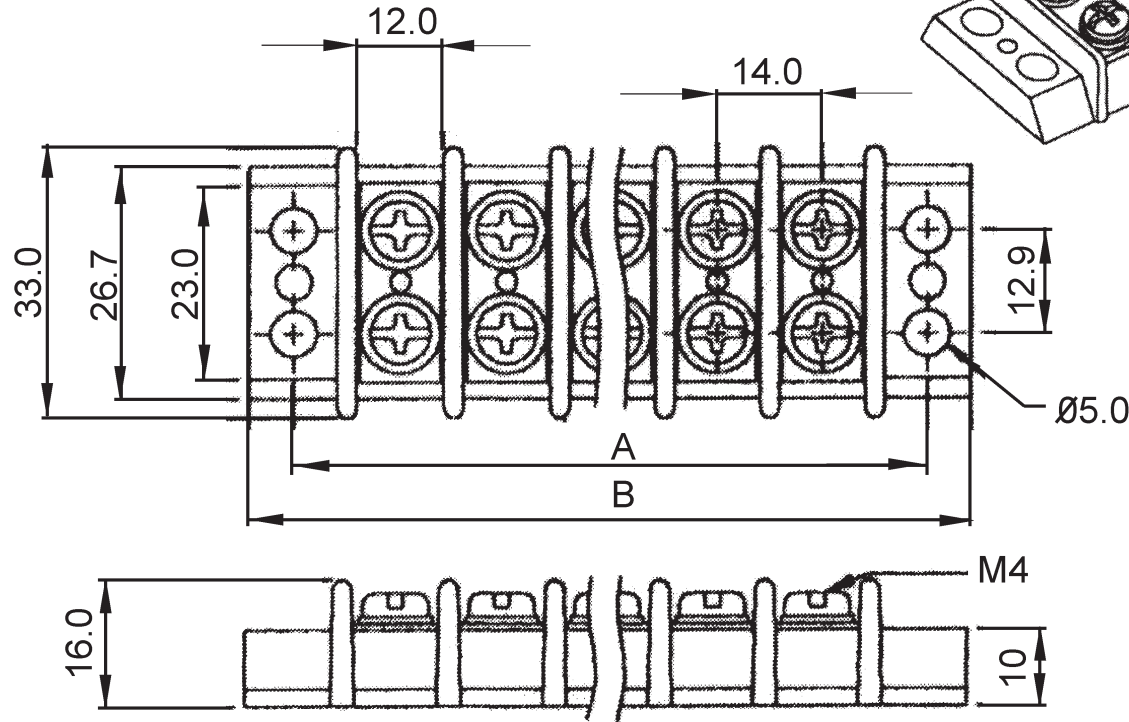
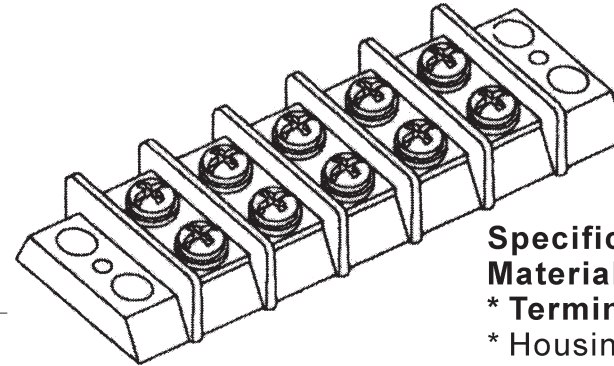


REV.	ECN NO.	DATE
A	Released	04/14/2011



**Specifications:**

**Materials:**

- \* Terminal: Brass, t=0.8, tin plating
- \* Housing (Insulator): Nylon 66 (UL94V-0)
- \* Screws: Brass, M4 Ni plated
- \* Pitch: 14.0mm

**Electrical:**

- \* Contact Resistance: 20mΩ (max)
- \* Insulation Resistance: 500MΩ at DC500V
- \* Current Rating: 30 A/way max.
- \* Voltage Rating: 600VAC
- \* Withstanding Voltage: AC 2000V(1 min)
- \* Wire range: 12~18AWG

**Mechanical:**

- \* Operating Temperature: -40°C ~ + 105°C
- \* Torque: 18kg f.cm

How to Order:

TB902 - 2 - x - B - 1

Pin no.  
2 ~ 24

Pin no.	2	3	4	5	6	7	8	9	10	11	12	13	14	15	16	17	18	19	20	21	22	23	24
Dim																							
A	42	56	70	84	98	112	126	140	154	168	182	196	210	224	238	252	266	280	294	308	322	336	350
B	52	66	80	94	108	122	136	150	164	178	192	206	220	234	248	262	276	290	304	318	332	346	360

**RoHS Compliant**

Scale		Drawn by	ANGLIA	<b>XMULTIPLES</b>
Unit	mm	Checked by	Kevin	
Tolerance		Sheet	1 of 1	
.X ± 0.8		Projection		
.XX ±				Name: Terminal Blocks 14.0mm pitch
.XXX ±				Part number TB902-2-x-B-1
ANG. =				Drawing no. TB902-2-x-B-1