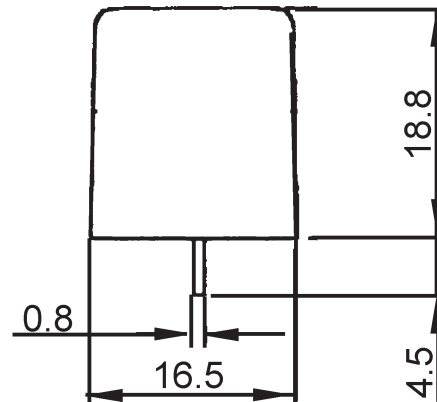
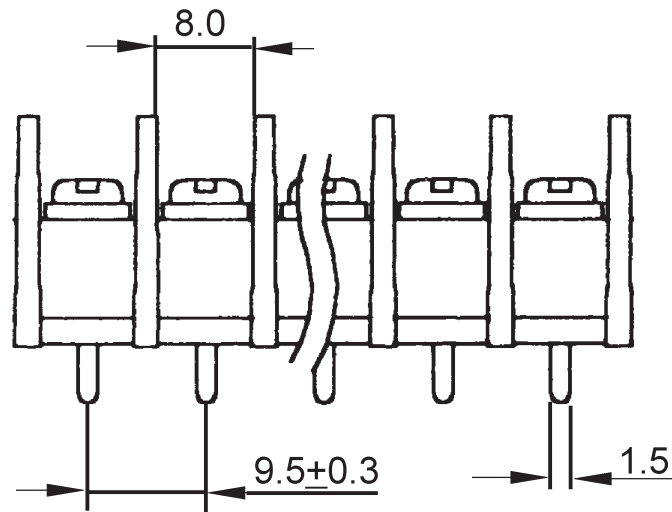
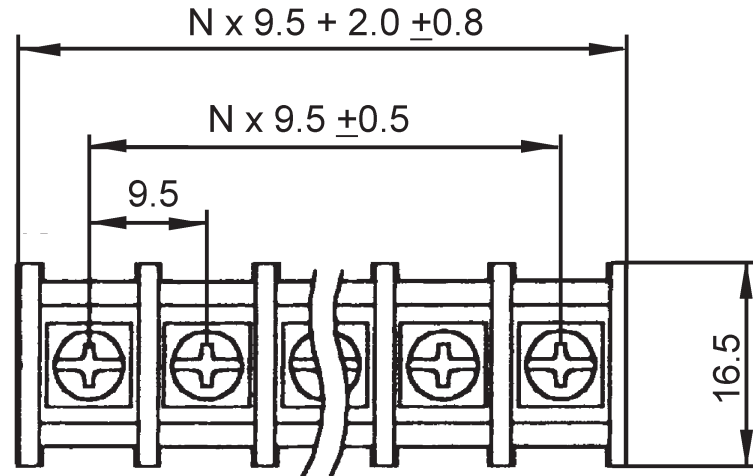


| REV. | ECN NO. | DATE |
|------|----------|------------|
| A | Released | 07/16/2010 |
| | | |
| | | |



Specifications:

Materials:

- * Terminal: Brass, Tin plated, $t=0.8$
- * Housing (Insulator): Nylon 66 (UL94V-0)
- * Screws: M3.5, Brass, Ni plated
- * Pitch: 9.5mm

Electrical:

- * Insulation Resistance: 1000M Ω or more at DC 500V
- * Current Rating: 15 A
- * Voltage Rating: 300VAC
- * Wire range: 14~22AWG

Mechanical:

- * Operating Temperature: $-40^{\circ}\text{C} \sim +120^{\circ}\text{C}$
- * Torque: 12 kg-cm

How to Order:

TB501 - x - 2 - 0

Pin no.
2 ~ 32

Mountin ears
0: without

RoHS Compliant

| | | | | | |
|------------|----|------------|--------|--------------------------------------|-------------|
| Scale | | Drawn by | ANGLIA | XMULTIPLE | |
| Unit | mm | Checked by | Kevin | | |
| Tolerance | | Sheet | 1 of 1 | | |
| .X \pm | | Projection | | Name: Terminal Blocks 9.5mm pitch | |
| .XX \pm | | | | Part number | TB501-x-2-0 |
| .XXX \pm | | | | Drawing no. | TB501-x-2-0 |
| ANG. = | | | | | |