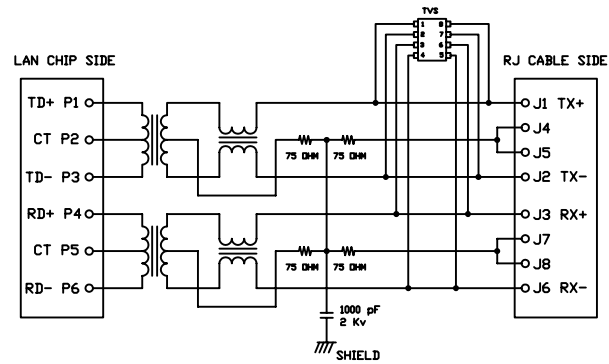
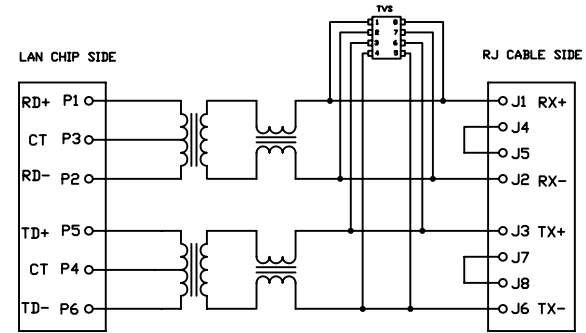


XRJB Series RJ, 10/100 Mbps Schematic

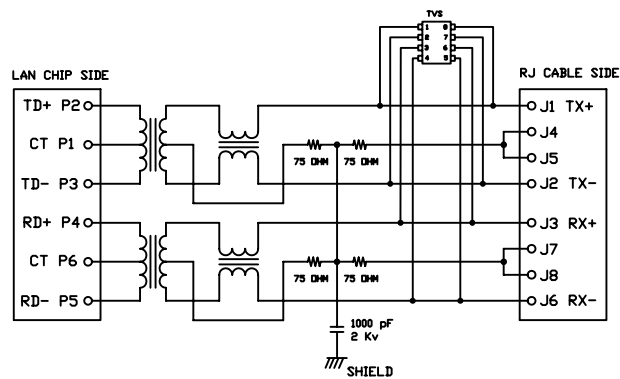
Sample circuit for B6 / K6 / A6 / G7



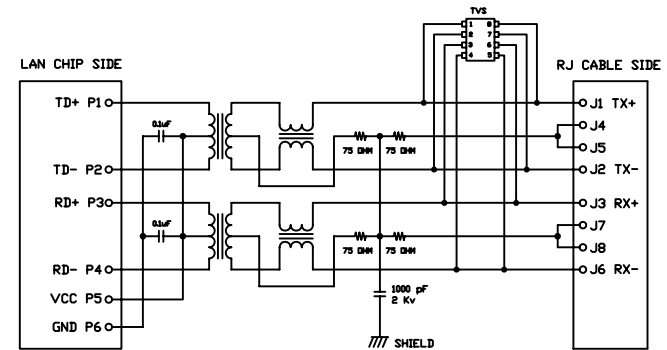
D11



DE2



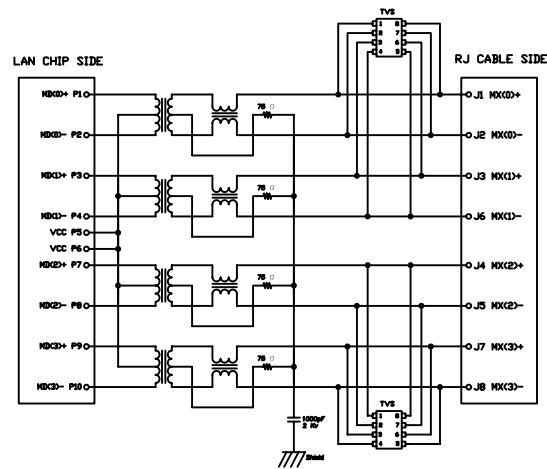
DA1



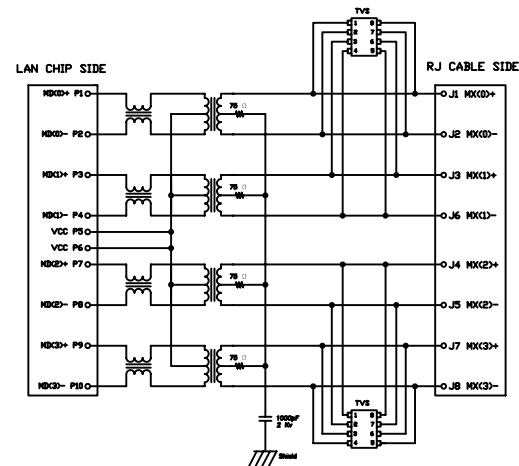
DZ5

XRJB Series RJ, 10/100/1000 Mbps Schematic

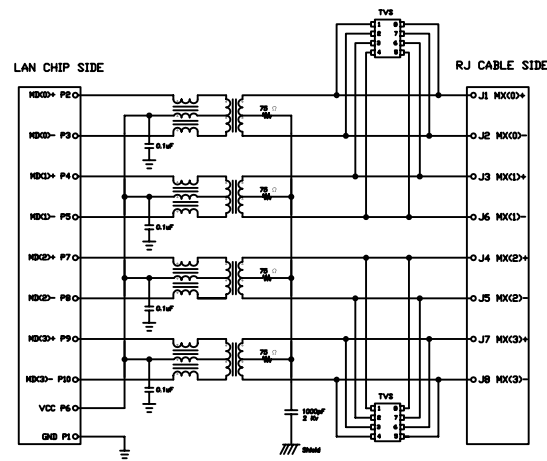
Sample circuit for B6 / G7 / K6



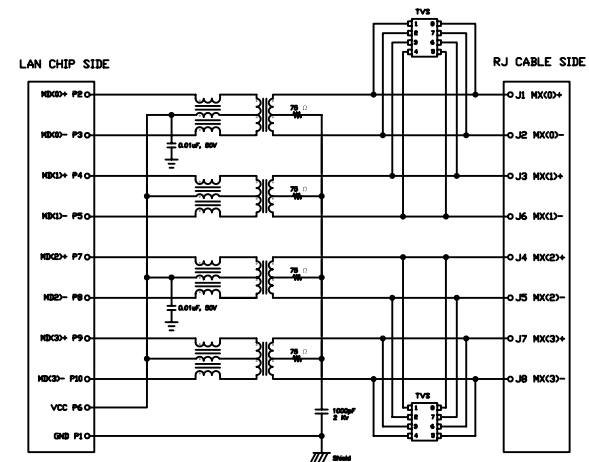
H11



H12



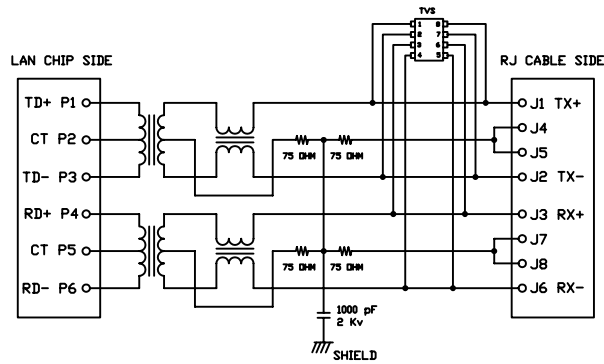
HA1



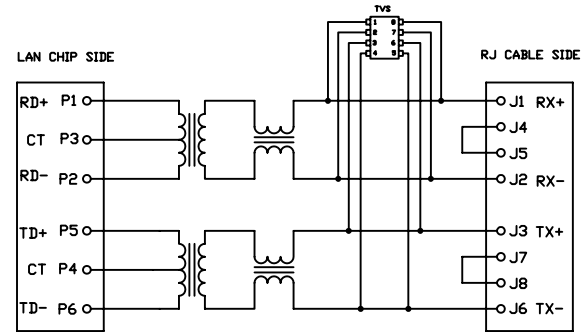
HA2

XRJH Series RJ, 10/100 Mbps Schematic

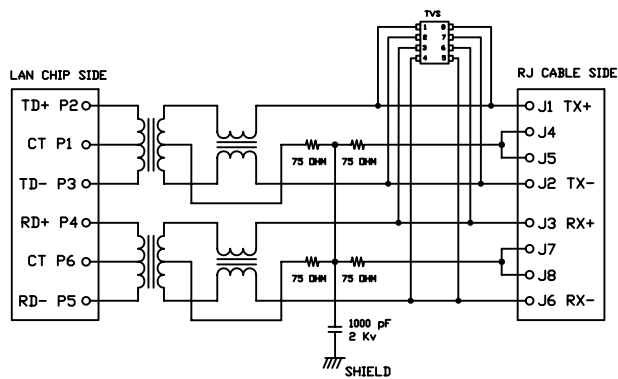
Sample circuit for 01R / 21D / 2xN D / 2xN E Series



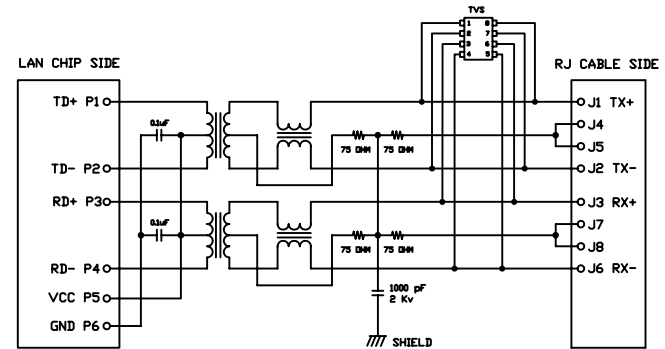
D11



DE2



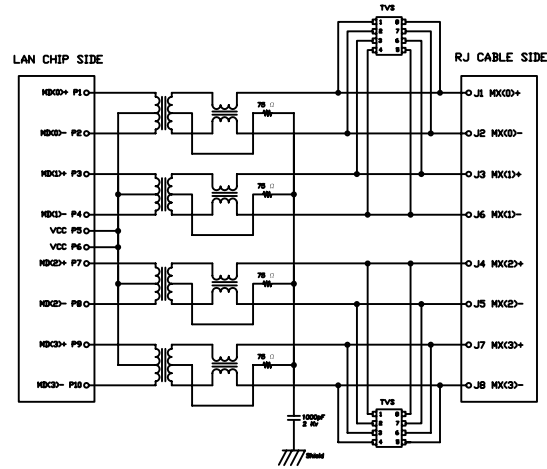
DA1



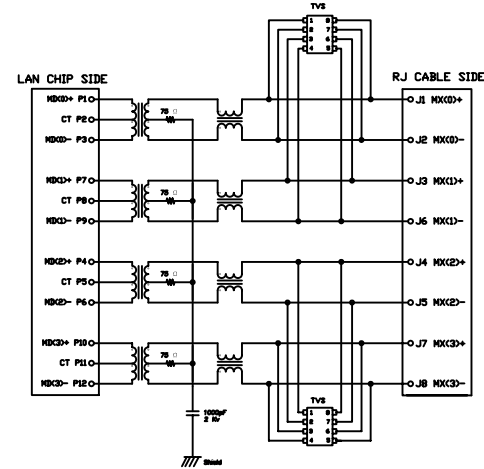
DZ5

XRJH Series RJ, 10/100/1000 Mbps Schematic

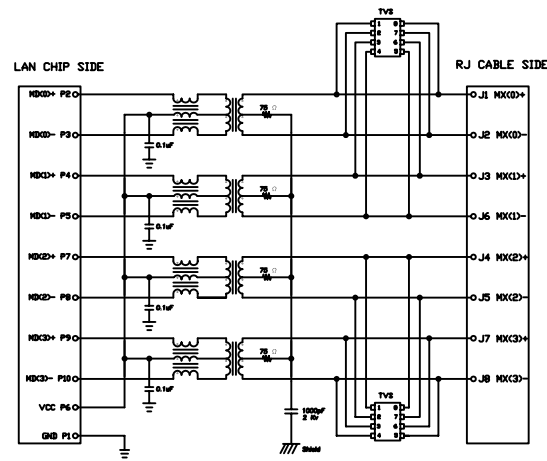
Sample circuit for 01R (Mechanical 12 pin)



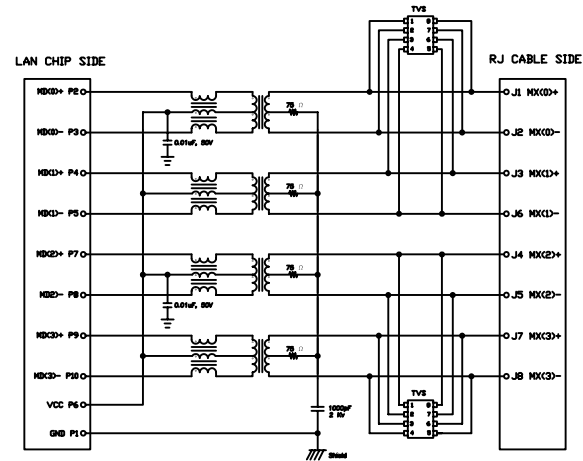
H11



HL1



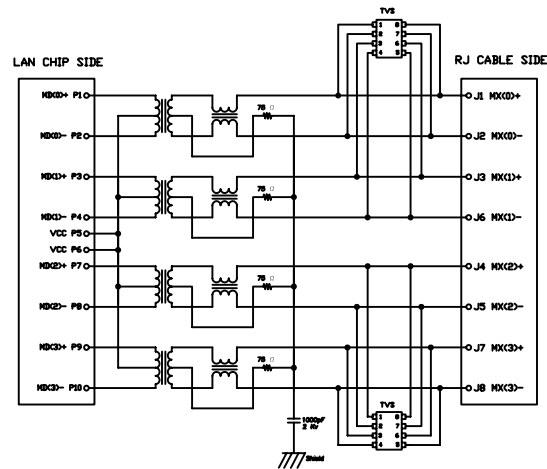
HA1



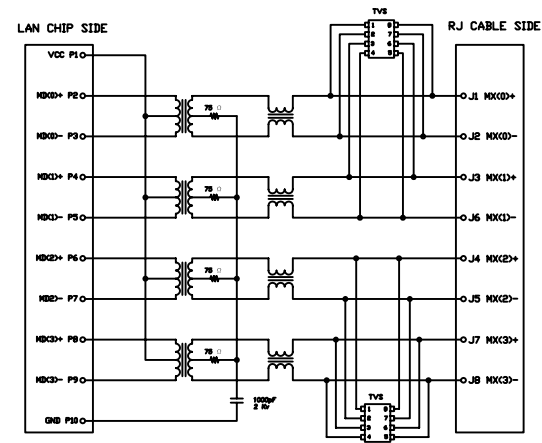
HA2

XRJH Series RJ, 10/100/1000 Mbps Schematic

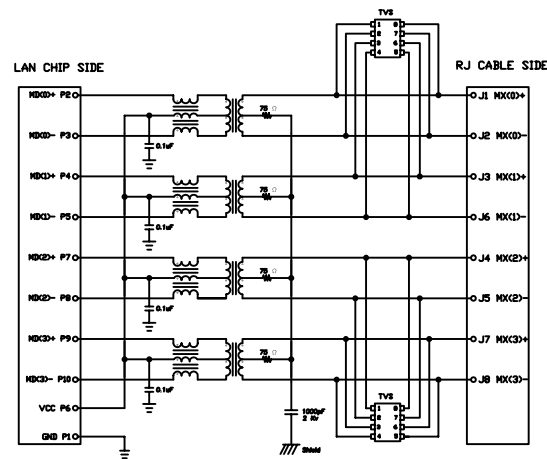
Sample circuit for 21D / 2xN D / 2xN E Series (Mechanical 10 pin)



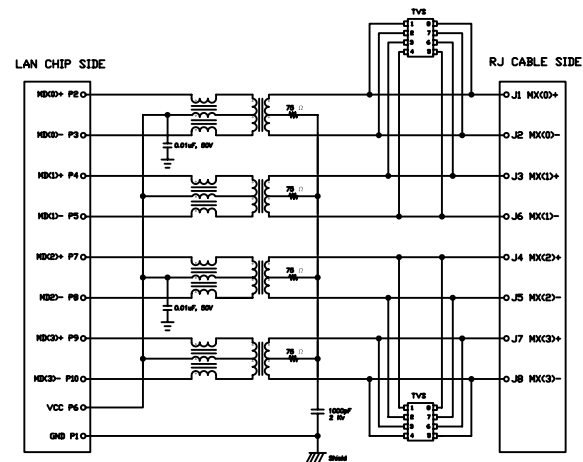
H11



H32



HA1



HA2