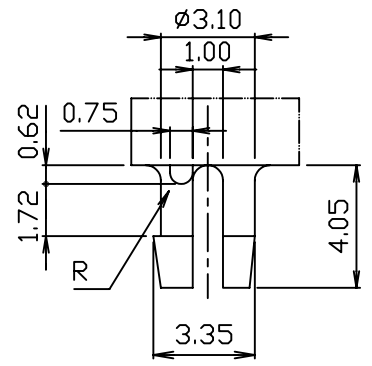
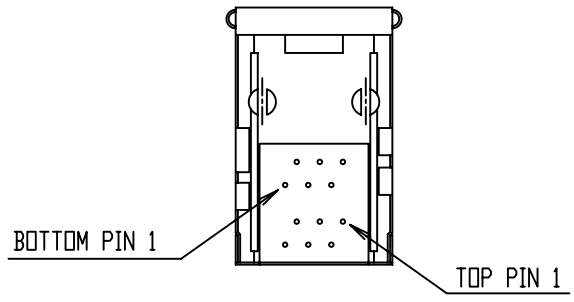
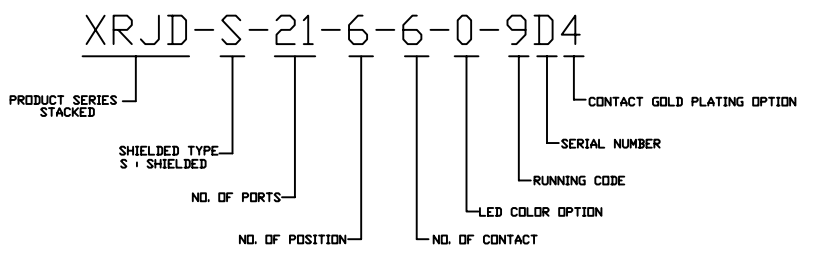


RECOMMENDED PCB LAYOUT
TOP VIEW



DETAIL Y



- NOTES:
- MATERIALS:
HOUSING-PBT POLYESTER UL-94V-0
MIXED GLASS FIBER.
STANDARD COLOR-BLACK
CONTACTS-0.35mm THICK PHOS-BRONZE
PLATED WITH 6u" GOLD AND
GOLD FLASH IN SOLDER AREA.
SHIELD-0.25mm THICK COPPER ALLOY,
PLATED WITH NICKEL.
 - CAVITY CONFORMS TO FCC RULES AND
REGULATIONS PART 68,SUBPART F.
 - UNSPECIFIED TOLERANCE: .XX ±0.25[0.010]
.X ±0.30[0.012]

RoHS Compliant

XMULTIPLE			CONNECTING THE INFORMATION AGE	
XMULTIPLE ASIA 4F, No. 347, Yang Guang St., Neihu, Taipei, Taiwan 11475		XMULTIPLE USA 1420 Los Angeles Ave., Suite G, Simi Valley, CA 93065		G/NO: 9731
THIS DRAWING IS A CONTROLLED DOCUMENT.				DWG NO: XRJD-S-21-6-6-0-9D4
TITLE: Stacked RJ11 Connectors, w/D LED, 6P,6C, Shielded, Thru Hole				DRAWN: RUNES
PART NO: XRJD-S-21-6-6-0-9D4				CHKD: JEFF
UNIT		SHEET		REV
mm[Inch]		1 of 1		C
DATE:				Mar.23,07