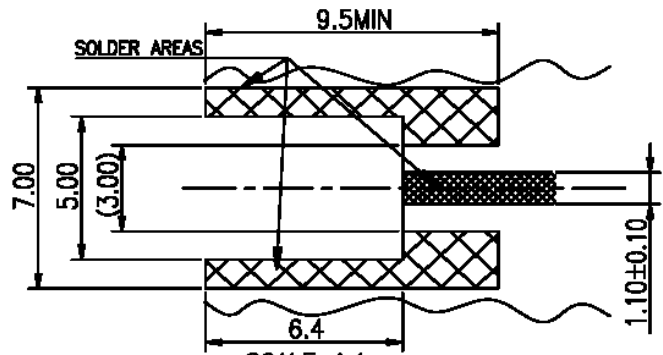
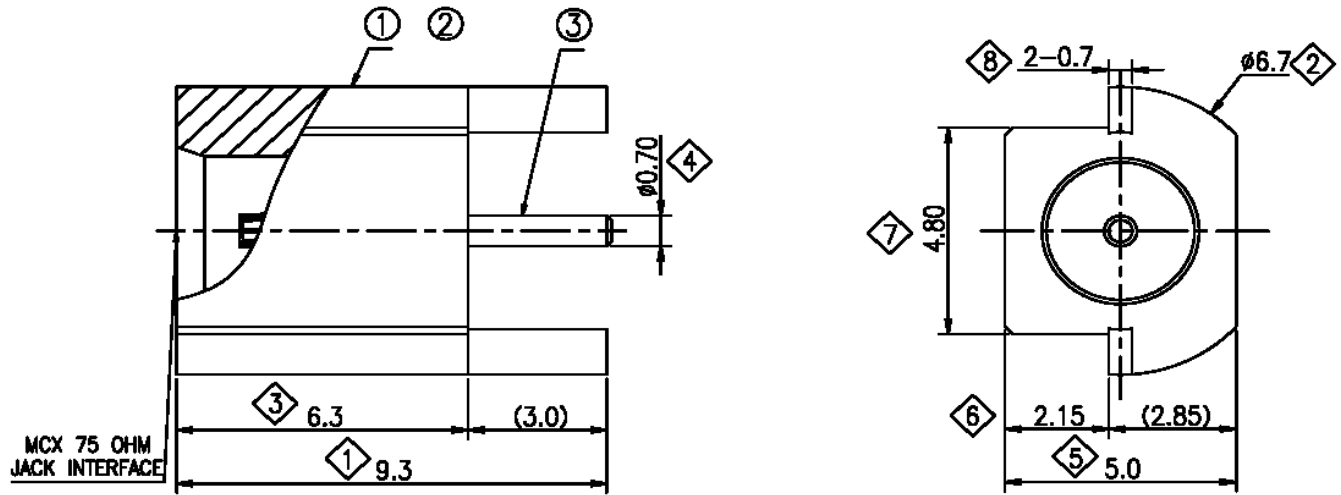


REV	DATE	ECO NO.	DESCRIPTION	DESIGN	CHECK	APPD
A	20070518		NEW RELEASE	鍾泉明		鍾泉明
B1	20071213	R20070098	鍍層優化	劉月從		劉月從 12/18



SCALE 4:1
RECOMMENDED MOUNTING PATTERN FOR CUSTOMER DRAWING

- NOTES:
- THIS CONNECTOR IS MCX JACK EDGE CARD MOUNT (75 OHM).
 - ELECTRICAL SPEC:
 - IMPEDANCE: 75 OHMS NOMINAL.
 - FREQUENCY RANGE: 0~3 GHz.
 - INSULATION RESISTANCE: 1000 MEGOHMS MIN.
 - DIELECTRIC WITHSTANDING VOLTAGE: 1000 VRMS.
 - CONTACT RESISTANCE:
 - CENTER CONTACT: 5.0 MILLIOHMS MAX.
 - OUTER CONTACT: 1.0 MILLIOHMS MAX.
 - MECHANICAL SPEC:
 - ENGAGEMENT FORCE: 25 N (5.6 lbs) MAX.
 - DISENGAGEMENT FORCE: 4.4 N (1.0 lbs) MIN.
 - DURABILITY: 500 CYCLES MIN.
 - TEMPERATURE RANGE: -65°C TO +165°C.
 - ALL THE PARTS COMPLIANT TO RoHS.

Xmultiple Technologies, Inc.

ITEM	NAME	SPEC.	FINISH	Q'TY
3	SOCKET CONTACT	BERYLLIUM COPPER	GOLD 0.13um MIN OVER NICKEL	1
2	INSULATOR	PTFE	NONE	1
1	BODY	BRASS	THIN GOLD OVER NICKEL	1

TOLERANCES WITHOUT DIMENSIONS		DESIGN	鍾泉明	DWG.NO	M05-SJEDM-11BS00			
LINEAR	0.0±0.2	DRAWN	劉月從	TITLE	MCX JACK (75 OHM)			
	0.00±0.1	CHECK		PART NO	XRF-M05-SJEDM-11BS00			
ANGLES	0.000±0.05	APPD	鍾泉明 2007.05.19	UNIT	mm	SIZE	A4	
	±1°			SHEET: 1/1	SCALE	6:1	REV	B