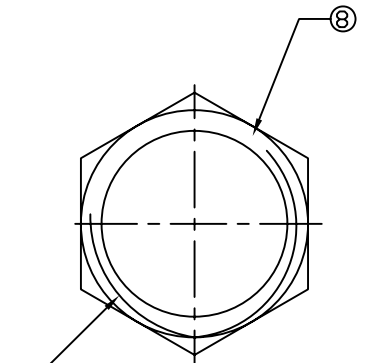
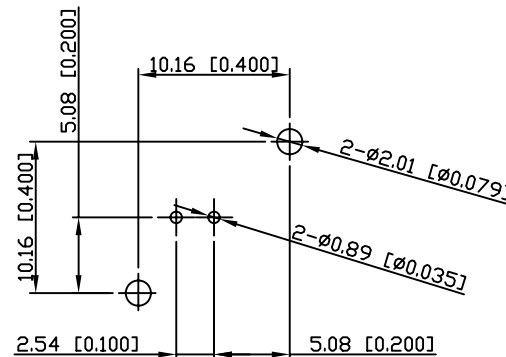


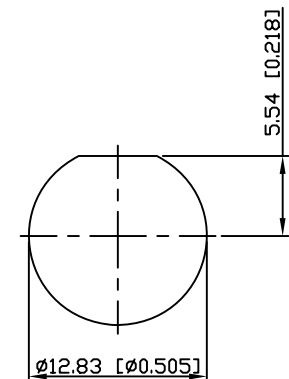
LOCK WASHER



1/2-28UNFF-2B CLAMP NUT



RECOMMENDED PC BOARD LAYOUT WITHOUT MOUNTING POSTS



RECOMMENDED MOUNTING HOLE  
MAXIMUM PANEL THICKNESS: 5.5MM

NOTES:

MATERIAL & FINISH

1. CENTER CONTACT: BRONZE, GOLD PLATING
2. BODY: ZINC ALLOY NICKEL PATING
3. HOUSING: PBT (94V-0), BLACK
4. INSULATOR: PE-606
5. MOUNTING POST: BRONZE, TIN PLATING
6. SOLDER TAIL: COPPER WIRE TIN PATING
7. WASHER: STEEL, NICKEL PLATING
8. NUT: BRASS, NICKEL PLATING
9. UNSPECIFIED TOLERANCE: .XX ±0.25 [0.010]  
.X ±0.30 [0.012]  
X ±0.50 [0.020]

RoHS Compliant

XMULTIPLE ASIA 4F, No. 347, Yang Guang St., Neihu, Taipei, Taiwan 11475		XMULTIPLE USA 1420 Los Angeles Ave., Suite G, Simi Valley, CA 93065	
THIS DRAWING IS A CONTROLLED DOCUMENT.		G/NO:	
TITLE: 75 OHM BNC VERTICAL PCB/PANEL MOUNT JACK		DWG NO: XBNC-HD-01321-DIT	
PART NO: XBNC-HD-01321-DIT		DRAWN: TOM	
		CHKD: JEFF	
UNIT mm [Inch]		SHEET 1 of 1	
REV 01		DATE: Jan.04,08	