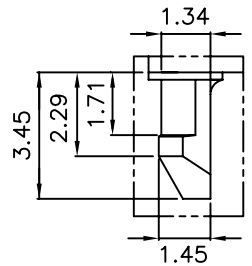
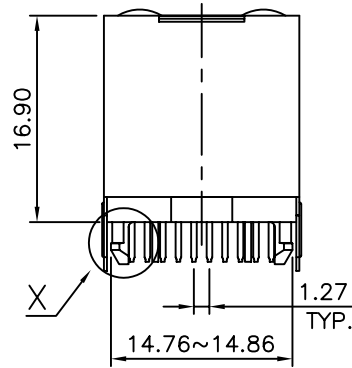
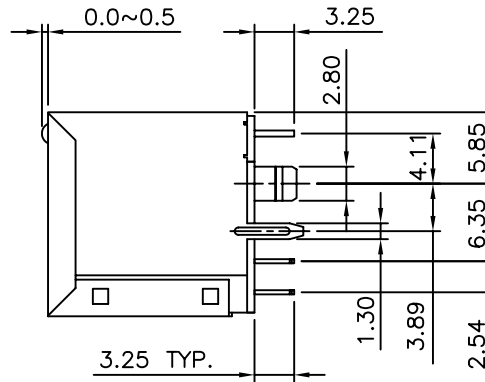
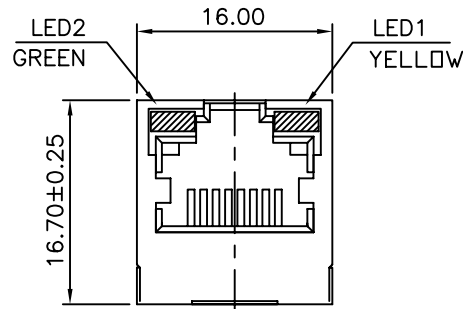


1. MECHANICAL DIMENSIONS :

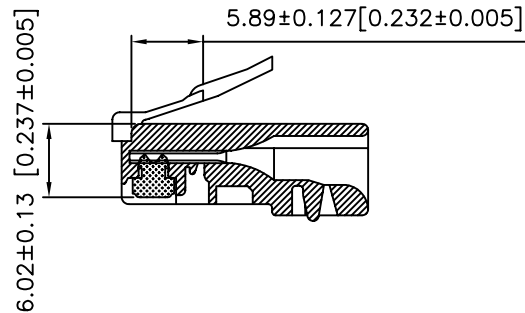


DETAIL X

NOTES:

1. MATERIALS:
 HOUSING—PBT POLYESTER UL94V-0
 MIXED 30% GLASS FIBER.
 STANDARD COLOR—BLACK.
 CONTACTS —0.35mm THICK PHOS-BRONZE PLATED
 WITH 30u" GOLD AND TIN IN SOLDER AREA.
 SHIELD—0.25mm THICK COPPER ALLOY,
 PLATED WITH NICKEL.
2. CAVITY CONFIRMS TO FCC RULES AND REGULATIONS
 PART 68,SUBPART F.
3. UNSPECIFIED TOLERANCE: .XX ±0.25[0.010]
 .X ±0.30[0.012]

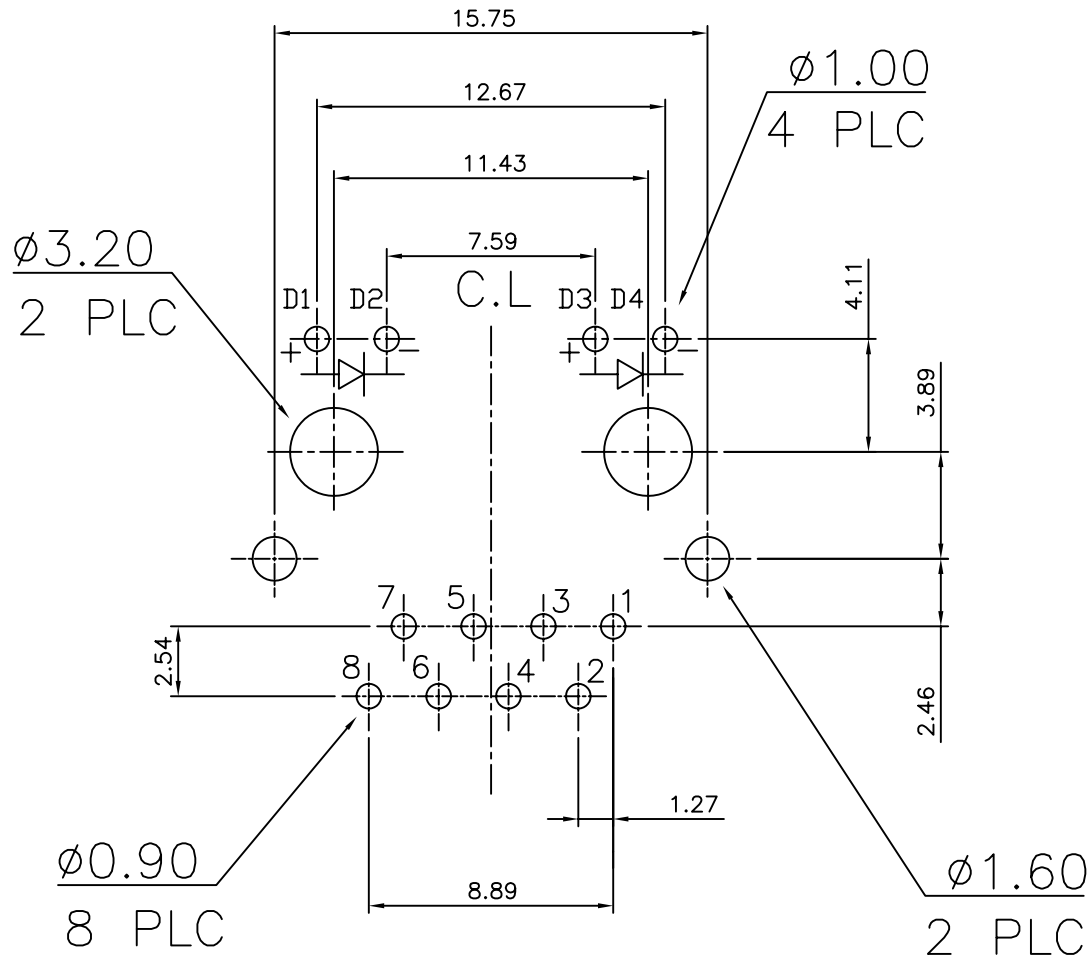
RECOMMENED PLUG DIMENSION:



RoHS Compliant

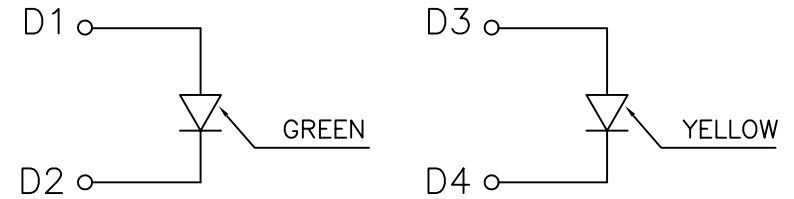
		CONNECTING THE INFORMATION AGE	
X MULTIPLE USA 1420 Los Angeles Ave., Suite G, Simi Valley, CA 93065		G/NO:	
THIS DRAWING IS A CONTROLLED DOCUMENT.			
TITLE: RJ45 Jack, Vertical Mount, W/LED, 8P, 8C, Shielded/Thru Hole/10/100 Mbps LAN Magnetics		DWG NO: XRJV-01V-4-D2B-180	
PART NO: XRJV-01V-4-D2B-180		DRAWN: AUSTIN	
		UNIT mm[inch]	
		SHEET 1 of 3	
DATE: Mar.17,06		REV 01	
CHKD: JEFF		DATE:	

2. PCB LAYOUT :



SUGGESTED PCB LAYOUT
(TOP VIEW)

3. LED CONFIGURATION :

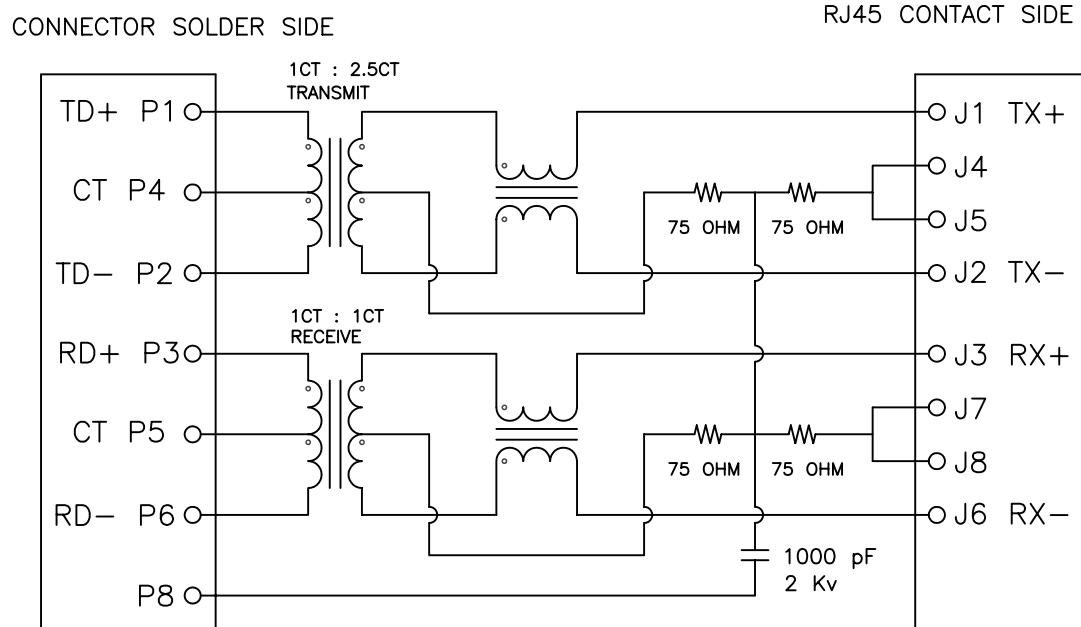


Color	Lens Color	Vf(v) @20mA		Iv(mcd) @10mA		Viewing angle 2θ 1/2
		Min	Max	Min	Typ	
Yellow	Yellow Diffused	1.7	2.8	3.0	6.0	116
Green	Green Diffused	1.7	2.8	3.5	6.0	116

RoHS Compliant

						<small>XMULTIPLE ASIA 4F, No. 347, Yang Guang St., Neihu Chiu, Taipei, Taiwan 11475</small>
THIS DRAWING IS A CONTROLLED DOCUMENT.						G/NO: DWG NO: XRJV-01V-4-D2B-180
TITLE: RJ45 Jack, Vertical Mount, W/LED, 8P, 8C, Shielded/Thru Hole/10/100 Mbps LAN Magnetics						DRAWN: AUSTIN
PART NO: XRJV-01V-4-D2B-180						CHKD: JEFF
		UNIT mm[inch]	SHEET 2 of 3	REV 01	DATE: Mar.17,06	

4. SCHEMATIC :



5. ELECTRICAL CHARACTERISTICS :

TEST NOTES:(25±5°C)

1.TR:(100KHz,0.1V);

PINS:(P1-P2):(J1-J2)=1:2.5±3%

PINS:(P3-P6):(J3-J6)=1:1±3%

2.LX:(100KHz,100mV,8mA, DC Bias)

PINS: (P1,P2),(P3,P6)=350uH MINIMUM

3.DCR:

PINS:(P1-P2),(J1-J2),(J3-J6)= 1.0 OHMS MAXIMUM

PINS:(P3-P6)=1.2 OHMS MAXIMUM

4.HIPOT:

PINS(P1,P4,P2)TO(J1,J2)=1500VAC FOR 60 SECONDS

PINS(P3,P5,P6)TO(J3,J6)=1500VAC FOR 60 SECONDS

5.INSERTION LOSS:

-1.0dB MAXIMUM AT 0.3MHz TO 100MHz;

6.RETURN LOSS:

-20dB MINIMUM AT 1MHz TO 30MHz;

-15dB MINIMUM AT 30MHz TO 60MHz

-10dB MINIMUM AT 60MHz TO 80MHz

7.CROSS TALK:

-30dB MINIMUM AT 1MHz TO 100MHz

8.COMMON TO COMMON MODE REJECTION:

-30dB MINIMUM AT 1MHz TO 100MHz

XRJV-01V-4-D2B-180

PRODUCT SERIES
V : VERTICAL MOUNT

NUMBER OF PORTS
MECHANICAL TYPE
01V : XRJV, 1 PORT

LED COLOR OPTION

PROTOCOL TYPE
D : 10/100 Mbps, 4 CORE

SPECIAL CODE
0 : STANDARD

SHIELDED TYPE
8 : NON-EMI FINGER

LED POLARITY
1 : +-, +-

CIRCUIT TYPE

RoHS Compliant

XMULTIPLE		CONNECTING THE INFORMATION AGE	
XMULTIPLE ASIA 4F, No. 347, Yang Guang St., Neihu Chiu, Taipei, Taiwan 11475		XMULTIPLE USA 1420 Los Angeles Ave., Suite G, Simi Valley, CA 93065	
THIS DRAWING IS A CONTROLLED DOCUMENT.		G/NO:	
TITLE: RJ45 Jack, Vertical Mount, W/LED, 8P, 8C, Shielded/Thru Hole/10/100 Mbps LAN Magnetics		DWG NO: XRJV-01V-4-028-180	
PART NO: XRJV-01V-4-D2B-180		DRAWN: AUSTIN	
		CHKD: JEFF	
		DATE: Mar.17,06	
UNIT mm[inch]	SHEET 3 of 3	REV 01	