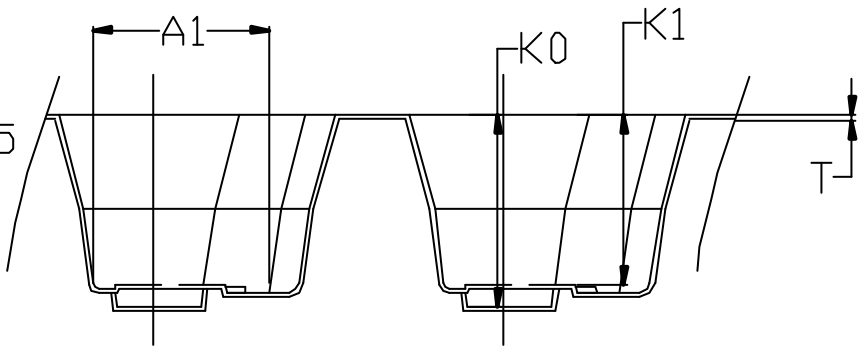
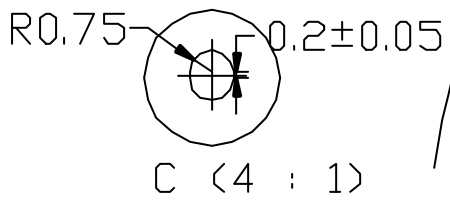


SECTION A-A

W	44.00±0.30
S	40.40±0.10
E	1.75±0.10
F	20.20±0.15
P	32.00±0.10
T	0.40
P0	4.00±0.10
P2	2.00±0.15
D0	1.50±0.10
D1	
A0	
A1	16.00±0.10
B0	
B1	16.90±0.10
K0	15.4±0.10
K1	17.4±0.10



SECTION B-B

XMULTIPLE CONNECTING THE INFORMATION AGE

<small>XMULTIPLE AREA 237-11th, 7th, Floor, H.K. Road, Tsim Sha Tsui, H.K.</small>	<small>XMULTIPLE USA 2800 Old County Road, Folsom, CA 95630</small>	<small>PROJ RJ45</small>
THIS DRAWING IS A CONTROLLED DOCUMENT.		<small>PROJ MGR VINQ</small>
TITLE RJ 45 W/LED SMT, 1 Port CARRIER TAPE		<small>DATE 02/16/01</small>
<small>DESCRIPTION DIM</small>	<small>REVISION 1 of 1</small>	<small>REV A</small>