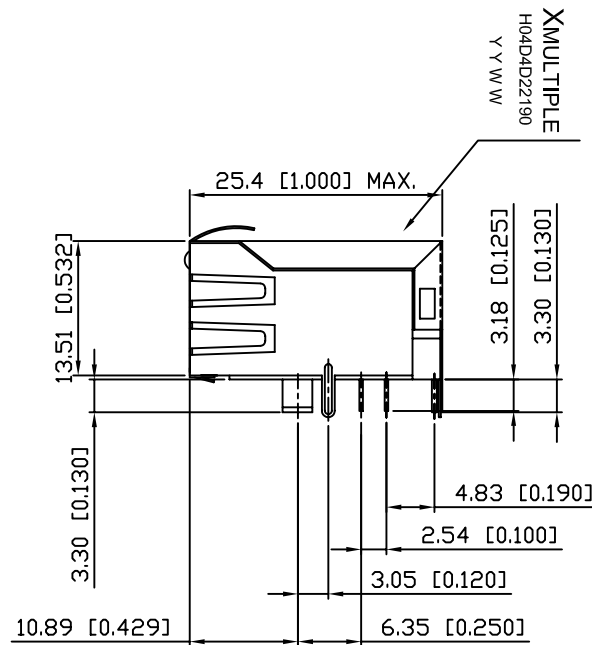
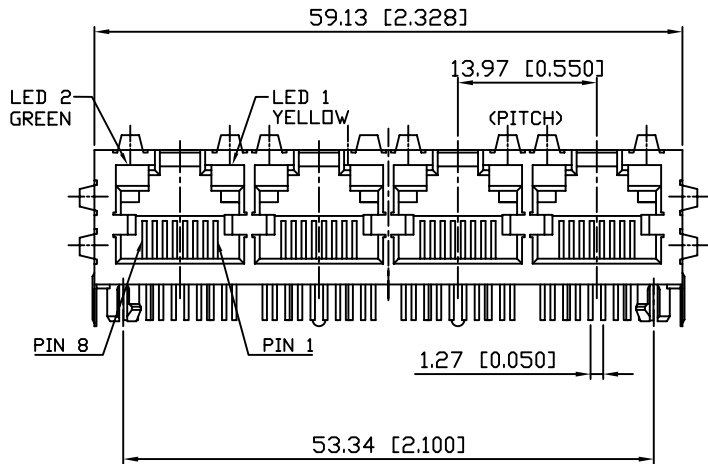
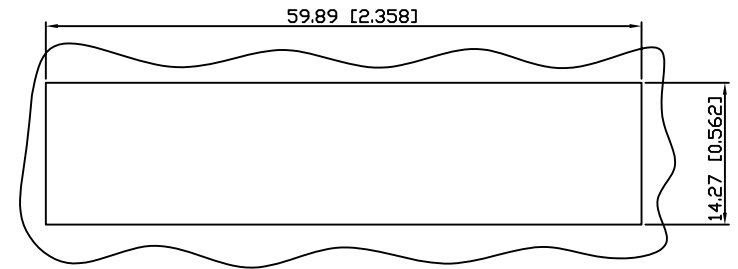


1. MECHANICAL DIMENSIONS :



NOTES:

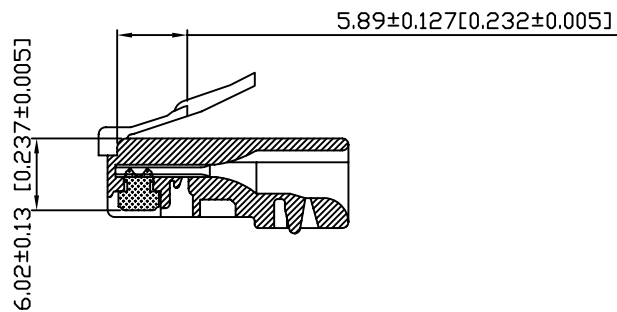
- MATERIAL:
HOUSING-PBT POLYESTER UL94V-0
MIXED GLASS FIBER.
STANDARD COLOR-BLACK
CONTACTS-0.35mm THICK PHOS-BRONZE PLATED
WITH 30u' GOLD AND TIN
IN SOLDER AREA.
SHIELD-0.20mm THICK COPPER ALLOY,
PLATED WITH NICKEL.
- CAVITY CONFORMS TO FCC RULES AND REGULATIONS
PART 68,SUBPART F.
- UNSPECIFIED TOLERANCE: .XX ±0.25
X ±0.30



RECOMMENDED
PANEL CUTOUT DIMENSION

RoHS Compliant

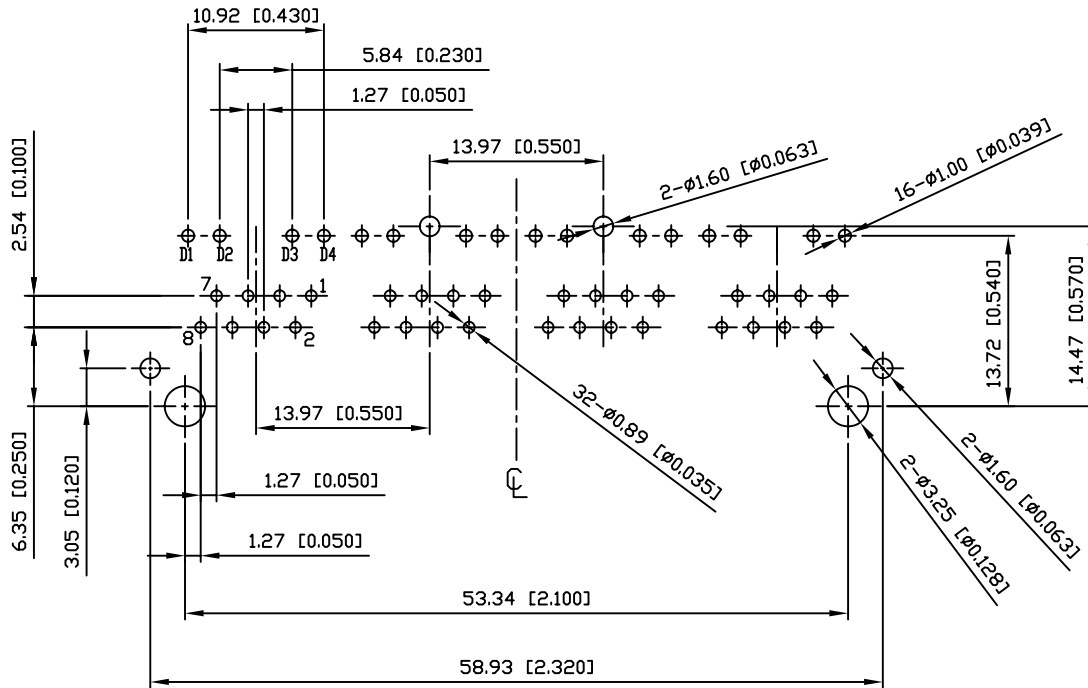
RECOMMENED PLUG DIMENSION:



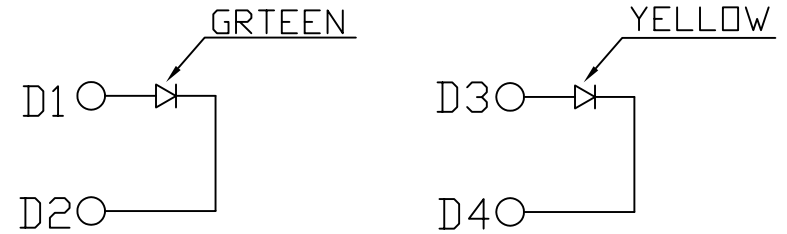
X MULTIPLE		THE INFORMATION AGE	
XMULTIPLE ASIA 4F, No. 347, Yang Guang St., Neihu Chlu, Taipei, Taiwan 11475		XMULTIPLE USA 1420 Los Angeles Ave., Suite G, Simi Valley, CA 93065	
G/NO:		DWG NO:	
THIS DRAWING IS A CONTROLLED DOCUMENT.		XRJH-04D-4-D22-190	
TITLE: RJ45, W/LED, with 10/100 Mbps Filter 8P,8C, Shielded, Thru Hole.		DRAWN: AUSTIN	
PART NO: XRJH-04D-4-D22-190		CHKD: JEFF	
		UNIT mm[inch]	SHEET 1 of 3
		REV A	DATE: Oct.26,06

2. PCB LAYOUT :

3. LED CONFIGURTAION :



SUGGESTED PCB LAYOUT
TOP VIEW



Color	Lens Color	Vf(v) @20mA		Iv(mcd) @10mA		Viewing angle 2θ 1/2
		Min	Max	Min	Typ	
Green	Green Diffused	1.7	2.8	3.5	6.0	116
Yellow	Yellow Diffused	1.7	2.8	3.0	6.0	116

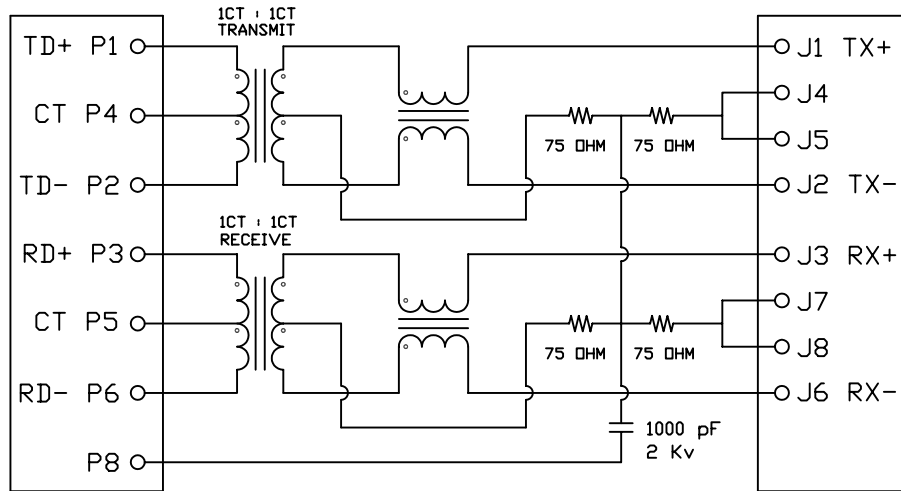
RoHS Compliant

		THE INFORMATION AGE		
		XMULTIPLE ASIA 4F, No. 347, Yang Guang St., Neihu Chiu, Taipei, Taiwan 11475		XMULTIPLE USA 1420 Los Angeles Ave., Suite G, Simi Valley, CA 93065
THIS DRAWING IS A CONTROLLED DOCUMENT.				
TITLE: RJ45, W/LED, with 10/100 Mbps Filter 8P,8C, Shielded, Thru Hole.		DWG NO: XRJH-04D-4-D22-190		
PART NO: XRJH-04D-4-D22-190		DRAWN: AUSTIN		
		UNIT	SHEET	REV
mm[inch]		2 of 3	A	DATE: Oct.26,06

4. SCHEMATIC :

CONNECTOR SOLDER SIDE

RJ45 CONTACT SIDE



5. ELECTRICAL CHARACTERISTICS

TEST NOTES:(25±5°C)

1.TR:(100KHz,0.1V);

PINS:(P1-P2):(J1-J2)=1:1±3%

PINS:(P3-P6):(J3-J6)=1:1±3%

2.LX:(100KHz,100mV,8mA, DC Bias)

PINS: (P1,P2),(P3,P6)=350uH MINIMUM

3.DCR:

PINS:(J1-J2),(J3-J6)= 1.2 OHMS MAXIMUM

4.HIPOT:

PINS(P1,P4,P2)TO(J1,J2)=1500VAC FOR 60 SECONDS

PINS(P3,P5,P6)TO(J3,J6)=1500VAC FOR 60 SECONDS

5.INSERTION LOSS:

-1.0dB MAXIMUM AT 0.3MHz TO 100MHz;

6.RETURN LOSS:

-20dB MINIMUM AT 1MHz TO 30MHz;

-15dB MINIMUM AT 30MHz TO 60MHz

-10dB MINIMUM AT 60MHz TO 80MHz

7.CROSS TALK:

-30dB MINIMUM AT 1MHz TO 100MHz

8.COMMON TO COMMON MODE REJECTION:

-30dB MINIMUM AT 1MHz TO 100MHz

XRJH-04D-4-D22-190

PRODUCT SERIES
H : LATCH UP AND STACKED

NUMBER OF PORTS
MECHANICAL TYPE
04D : XRJH 4 PORT, LENGTH=25.4mm,
STAGGERED PINS

LED COLOR OPTION

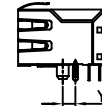
PROTOCOL TYPE
D : 10/100 Mbps, 4 CORE

SPECIAL CODE
0 : STANDARD

SHIELDED TYPE
9 : 4 PORT W/2 TABS, Y=3.05mm,
EMI FINGER ON ALL SIDE

LED POLARITY
1 : +-, +-

CIRCUIT TYPE



RoHS Compliant

X MULTIPLE		THE INFORMATION AGE	
X MULTIPLE ASIA 4F, No. 347, Yang Guang St., Neihu Chlu, Taipei, Taiwan 11475		X MULTIPLE USA 1420 Los Angeles Ave., Suite G, Simi Valley, CA 93065	
THIS DRAWING IS A CONTROLLED DOCUMENT.		G/NO:	
TITLE: RJ45, W/LED, with 10/100 Mbps Filter 8P,8C, Shielded, Thru Hole.		DWG NO: XRJH-04D-4-D22-190	
PART NO: XRJH-04D-4-D22-190		DRAWN: AUSTIN	
		CHKD: JEFF	
		DATE: Oct.26,06	
UNIT mm[inch]		SHEET 3 of 3	
		REV A	