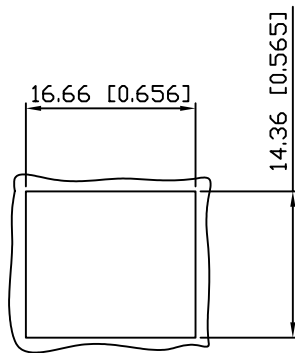
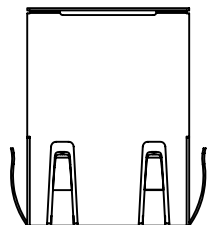
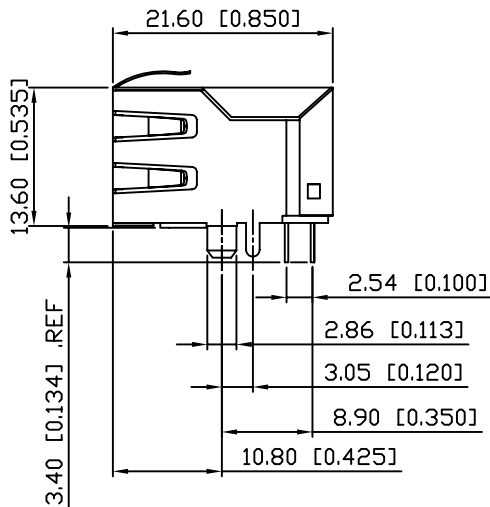
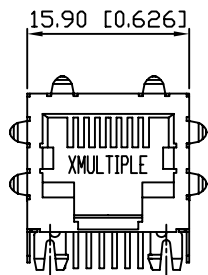


1. MECHANICAL DIMENSIONS :



RECOMMENDED  
PANEL CUTOUT DIMENSION



NOTES:

- MATERIALS:  
HOUSING-NYLON POLYESTER UL94V-0  
MIXED GLASS FIBER.  
STANDARD COLOR-BLACK.  
CONTACTS-0.35mm THICK PHOS-BRONZE PLATED  
WITH 30u" GOLD AND TIN  
IN SOLDER AREA.  
SHIELD-0.25mm THICK COPPER ALLOY,  
PLATED WITH NICKEL.
- CAVITY CONFIRMS TO FCC RULES AND REGULATIONS  
PART 68,SUBPART F.
- UNSPECIFIED TOLERANCE: .XX ±0.25[0.010]  
.X ±0.30[0.012]

XRJF-01A-0-D2A-01

XRJF SERIES

NUMBER OF PORT  
01A : 1 PORT FOR XRJF

LED COLOR OPTION

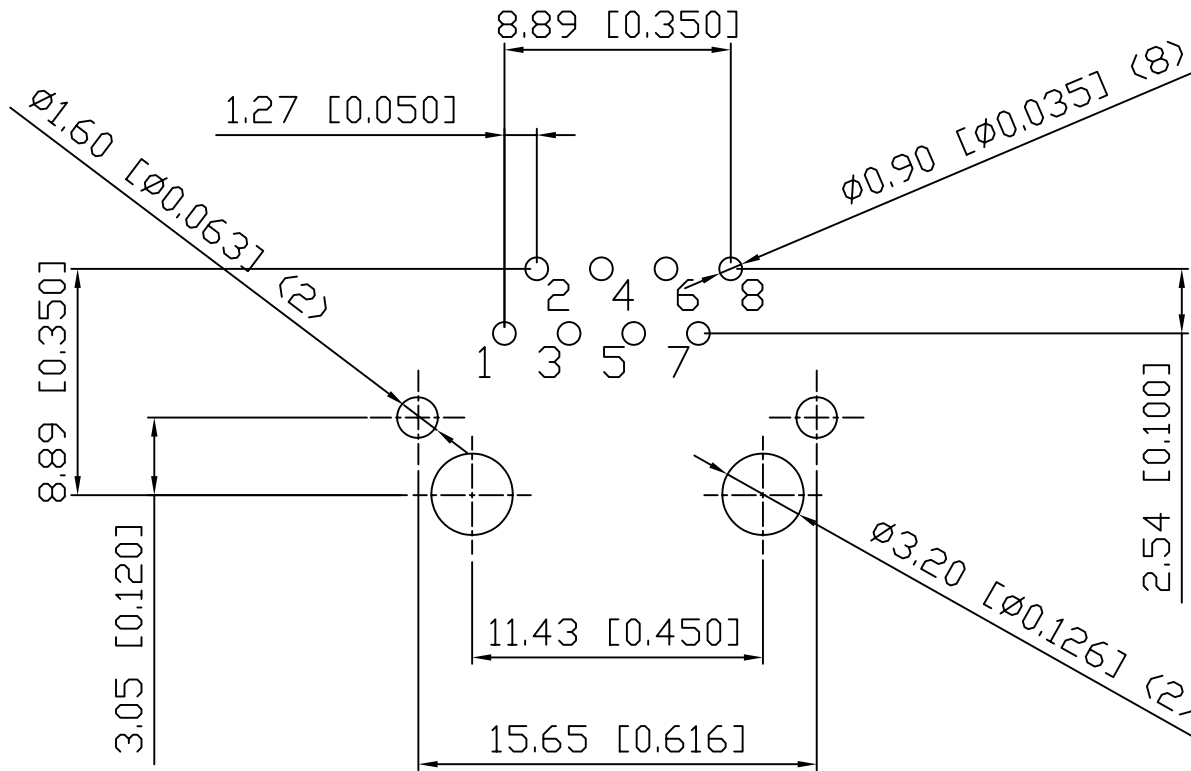
CIRCUIT TYPE

SERIAL NUMBER

RoHS Compliant





		CONNECTING THE INFORMATION AGE	
XMULTIPLE ASIA 4F, No. 347, Yang Guang St., Neihu Chiu, Taipei, Taiwan 11475		XMULTIPLE USA 1420 Los Angeles Ave., Suite G Simi Valley, CA 93065	
THIS DRAWING IS A CONTROLLED DOCUMENT.		G/NO:	
TITLE: SINGLE PORT, RJ45, SHIELDED, WITHOUT LED WITH TRANSFORMER, SIDE ENTRY PCB JACK		DVG NO: XRJF-01A-0-D2A-01	
PART NO: XRJF-01A-0-D2A-01		DRAWN: TARA	
		CHKD: JEFF	
UNIT mm[inch ]		SHEET 1 of 3	
DATE: 24/10/05		REV 01	

## 2. PCB LAYOUT :



SUGGESTED PCB LAYOUT  
(TOP VIEW)

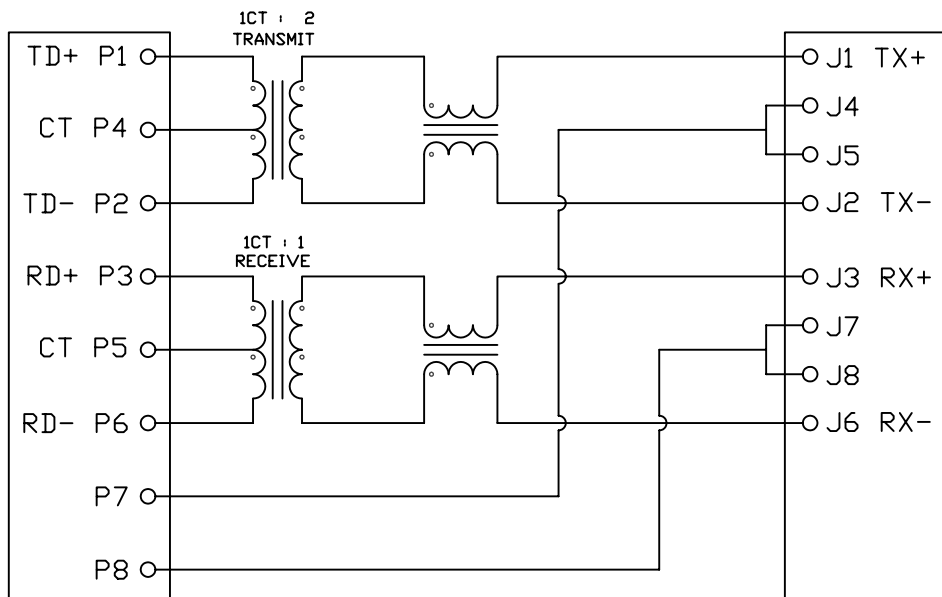
RoHS Compliant

			
XMULTIPLE USA 1420 Los Angeles Ave., Suite G, Simi Valley, CA 93065		G/NO:	
THIS DRAWING IS A CONTROLLED DOCUMENT.			
TITLE: SINGLE PORT, RJ45, SHIELDED, WITHOUT LED WITH TRANSFORMER, SIDE ENTRY PCB JACK		DVG NO: XRJF-01A-0-D2A-01	
PART NO: XRJF-01A-0-D2A-01		DRAWN: TARA	
		UNIT mm[inch ]	SHEET 2 of 3
		REV 01	DATE: 24/10/05

### 3. SCHEMATIC:

CONNECTOR SOLDER SIDE

RJ45 CONTACT SIDE



### 4. ELECTRICAL CHARACTERISTICS :

TEST NOTES:(25±5°C)

1.TR:(100KHz,0.1V);

PINS:(P1-P2):(J1-J2)=1:1±3%

PINS:(P3-P6):(J3-J6)=1:1±3%

2.LX:(100KHz,100mV,8mA, DC Bias)

PINS: (P1,P2),(P3,P6)=350uH MINIMUM

3.DCR:

PINS:(P1-P2),(J1-J2),(J3-J6)= 1.0 OHMS MAXIMUM

PINS:(P3-P6)=1.2 OHMS MAXIMUM

4.HIPOT:

PINS(P1,P4,P2)TO(J1,J2)=1500VAC FOR 60 SECONDS

PINS(P3,P5,P6)TO(J3,J6)=1500VAC FOR 60 SECONDS

5.INSERTION LOSS:

-1.0dB MAXIMUM AT 0.3MHz TO 100MHz;

6.RETURN LOSS:

-20dB MINIMUM AT 1MHz TO 30MHz;

-15dB MINIMUM AT 30MHz TO 60MHz

-10dB MINIMUM AT 60MHz TO 80MHz

7.CROSS TALK:

-30dB MINIMUM AT 1MHz TO 100MHz

8.COMMON TO COMMON MODE REJECTION:

-30dB MINIMUM AT 1MHz TO 100MHz

## RoHS Compliant

<b>X</b> MULTIPLE		CONNECTING THE INFORMATION AGE	
XMULTIPLE ASIA 4F, No. 347, Yang Guang St., Neihu Chiu, Taipei, Taiwan 11475		XMULTIPLE USA 1420 Los Angeles Ave., Suite G Simi Valley, CA 93065	
THIS DRAWING IS A CONTROLLED DOCUMENT.		DVG NO: XRJF-01A-0-D2A-01	
TITLE: SINGLE PORT, RJ45, SHIELDED, WITHOUT LED WITH TRANSFORMER, SIDE ENTRY PCB JACK		DRAWN: TARA	
PART NO: XRJF-01A-0-D2A-01		CHKD: JEFF	
		UNIT mm[inch]	SHEET 3 of 3
		REV 01	DATE: 24/10/05