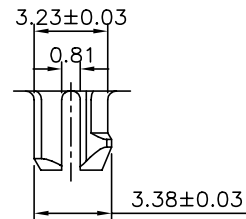
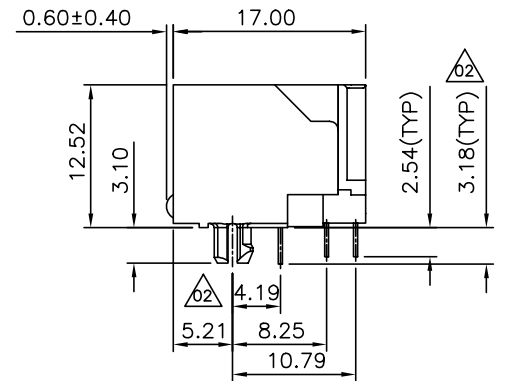
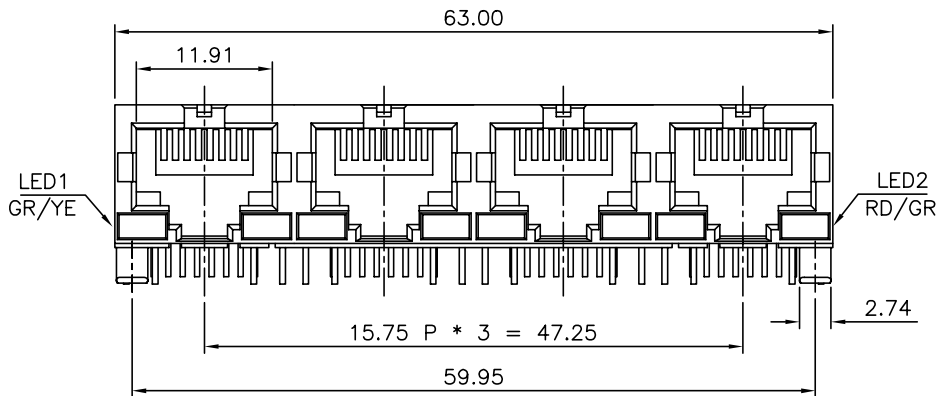
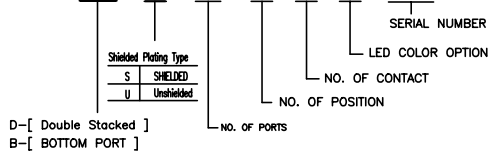
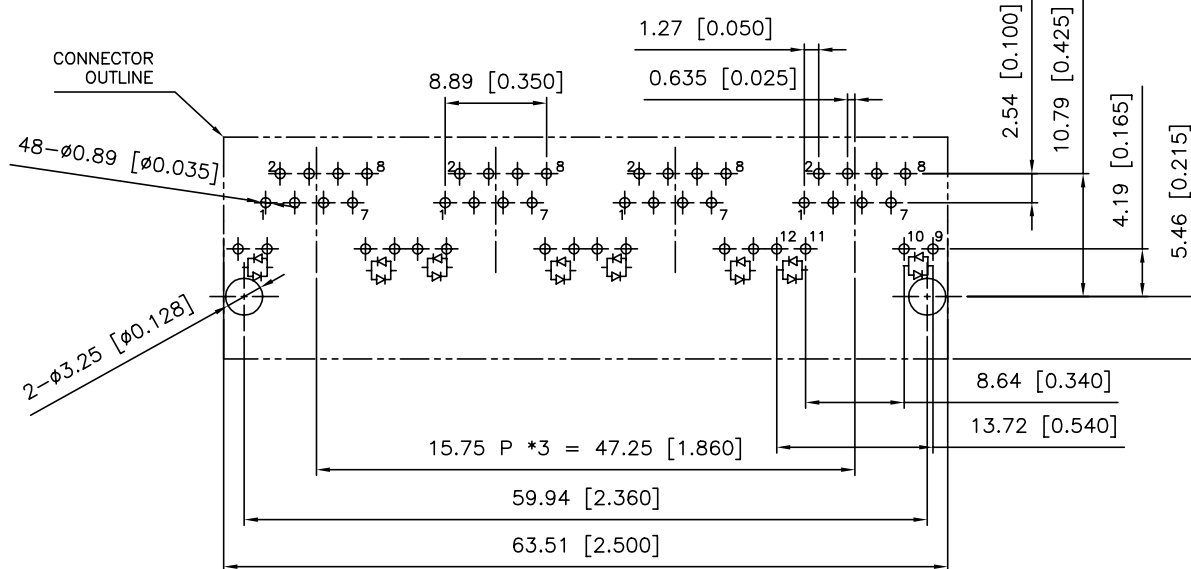


XRJDB-U-04-8-8-Z-003



DETAIL X



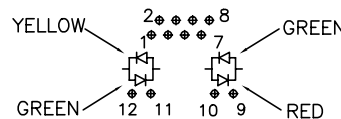
SUGGESTED PCB LAYOUT

PCB LAYOUT TOLERANCE .XX±0.05[0.002]

	CODE	LED 2 [LEFT]	LED 1 [RIGHT]
☆	Z	GR/YE	RD/GR
	1	YELLOW	GREEN
	2	BLOCKED	GREEN
	3	YELLOW	BLOCKED
	4	GREEN	YELLOW
	5	GREEN	GREEN
	6	YELLOW	YELLOW
	7	OR/GR	OR/GR
	8	YE/GR	YE/GR
	9	OR/GR	YELLOW

NOTES:

- MATERIAL: HOUSING-PBT POLYESTER UL-94V-0
MIXED GLASS FIBER.
STANDARD COLOR-BLACK
CONTACTS-0.35mm THICK PHOS-BRONZE
PLATED WITH 50u" GOLD AND
TIN/LEAD IN SOLDER AREA.
- CAVITY CONFIRMS TO FCC RULES AND REGULATIONS
PART 68,SUBPART F.
- UNSPECIFIED TOLERANCE: .XX ±0.25[0.010]
.X ±0.30[0.012]



LED SCHEMATIC

CONNECTING THE INFORMATION AGE

XMULTIPLE ASIA 4F, No. 347, Yang St., Neihu Chiu, Taipei, Taiwan 11475	XMULTIPLE USA 543 Country Club Drive #B 128 Simi Valley, CA 93065	G/NO:
THIS DRAWING IS A CONTROLLED DOCUMENT.		DWG NO: XRJDB-U-04-8-8-Z-003
TITLE: RJ45 Connectors, W/LED, 8P, 8C, Unshielded, Thru Hole, Only Bottom Port		DRAWN: TARA
PART NO: XRJDB-U-04-8-8-Z-003		CHKD: FUTIEN
	DIMENSIONS mm[inch]	SHEET 1 of 1 REV 02 DATE: 27/11/03'