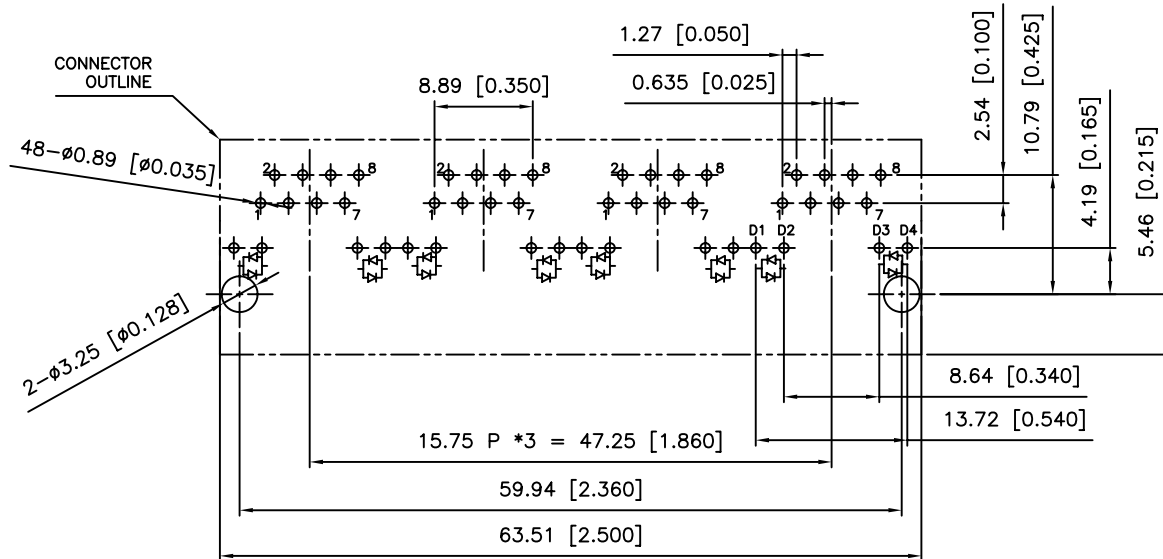
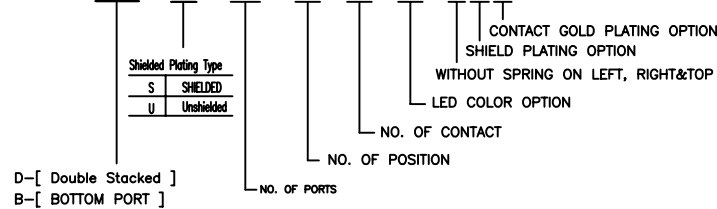


DETAIL X



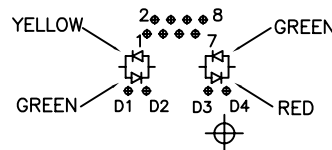
SUGGESTED PCB LAYOUT
(TOP VIEW)

XRJDB-U-04-8-8-L-T03



NOTES:

- MATERIAL: HOUSING-PBT POLYESTER UL-94V-0
MIXED GLASS FIBER.
STANDARD COLOR-BLACK
CONTACTS-0.35mm THICK PHOS-BRONZE
PLATED WITH 50u" GOLD AND
TIN IN SOLDER AREA.
- CAVITY CONFIRMS TO FCC RULES AND REGULATIONS
PART 68,SUBPART F.
- UNSPECIFIED TOLERANCE: .XX ±0.25[0.010]
.X ±0.30[0.012]



LED SCHEMATIC

RoHS Compliant

XMULTIPLE		CONNECTING THE INFORMATION AGE	
XMULTIPLE ASIA 4F, No. 347, Yang Guang St., Neihu Chiu, Taipei, Taiwan 11475		XMULTIPLE USA 1420 Los Angeles Ave., Suite G, Simi Valley, CA 93065	
G/NO:		DWG NO: XRJDB-U-04-8-8-L-T03	
THIS DRAWING IS A CONTROLLED DOCUMENT.			
TITLE: RJ45 Connectors, W/LED, 8P, 8C, Unshielded, Thru Hole, Only Bottom Port		DRAWN: RUNES	
PART NO: XRJDB-U-04-8-8-L-T03		CHKD: JEFF	
		UNIT	SHEET
		mm[inch]	1 of 1
REV		DATE:	
01		Feb.07,06	