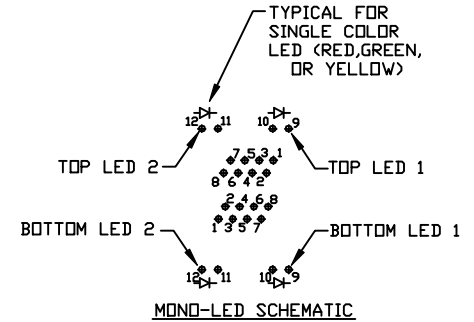
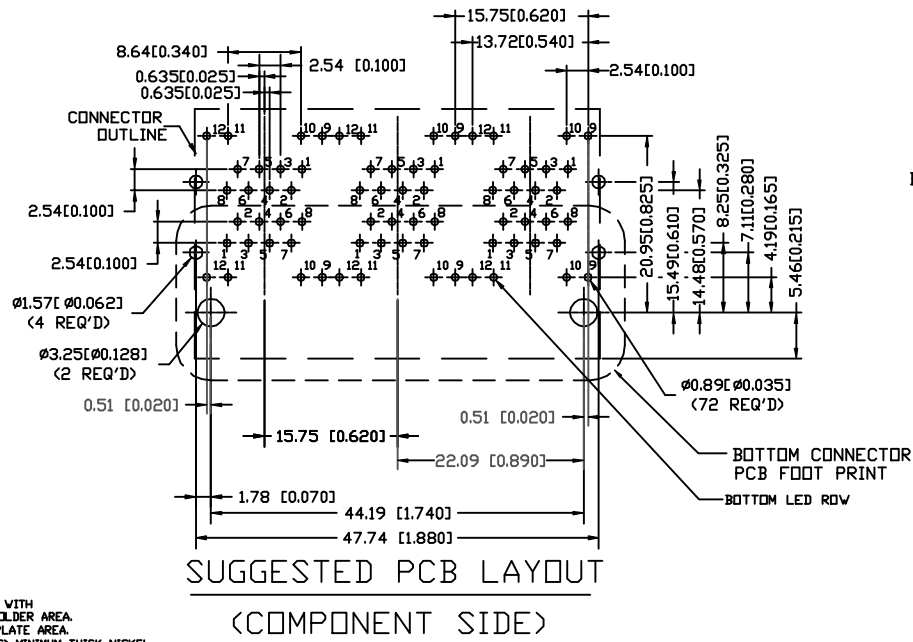
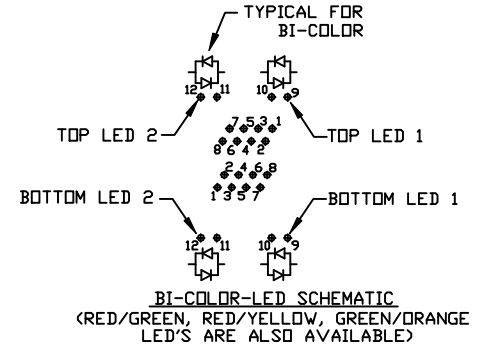
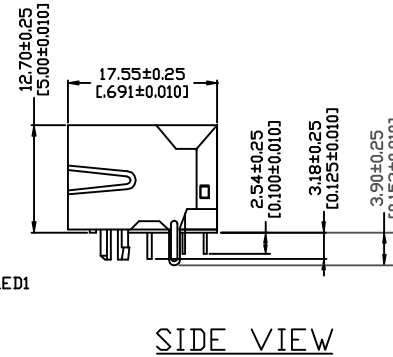
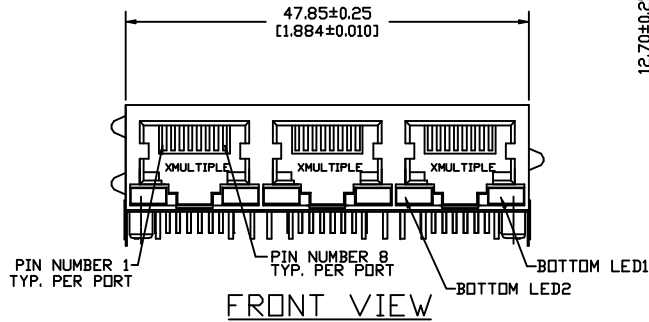
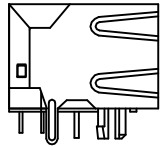


REVISIONS					
ECO	ZONE	REV	DESCRIPTION	DATE	APPROVED
		A	INITIAL RELEASE	07/31/01	Chen



- MATERIALS:
HOUSING: HIGH TEMP. THERMOPLASTIC, BLACK, UL 94V-0
CONTACTS: 0.014 INCHES (0.35 MILLIMETERS) THICK PHOSPHOR BRONZE PLATED WITH 150 MICROINCHES (3.81 MICROMETERS) MINIMUM THICK TIN LEAD IN SOLDER AREA.
15 MICROINCHES (0.38 MICROMETERS) MINIMUM GOLD IN LOCALIZED PLATE AREA.
ENTIRE CONTACTS PLATED WITH 50 MICROINCHES (1.27 MICROMETERS) MINIMUM THICK NICKEL.
SHIELDED: 0.0098 INCHES (0.25 MILLIMETERS) THICK COPPER ZINC ALLOY PLATED WITH 30 MICROINCHES (0.762 MICROMETERS) MINIMUM THICK NICKEL.

2. JACK CAVITY CONFORMS TO FCC RULES AND REGULATIONS PART 68, SUBPART F

3. PART NUMBER XRJD-S-23-8-8-X

NOTES: UNLESS OTHERWISE SPECIFIED
UNSPECIFIED TOLERANCE: .XX±0.010 [0.25]
.X±0.006 [0.15]

REFER TO LED OPTIONS TABLE FOR ORDERING CODES

XMULTIPLE		CONNECTING THE INFORMATION AGE	
<small>XMULTIPLE ASIA 11F-1, No. 70, Fu-Hsing N. Road Taipei, Taiwan, R.O.C.</small>	<small>XMULTIPLE USA 3646 Old Conaso Road Newbury Park, CA 91380</small>	<small>DRW: PDS: CHK: APP:</small>	<small>DRW NO: PDS#4-NXD21 VIQ CHK: APP: DATE: 07/31/01</small>
THIS DRAWING IS A CONTROLLED DOCUMENT.			
TITLE: Stacked RJ45, Connectors, V/LED, 8P, 8C, Shielded, Thru Hole, 2 Piece Structure			
PART NO: XRJDB-S-03-8-8-X			
⊕	DIMENSIONS [mm]inch	SHEET 1 of 1	REV A