

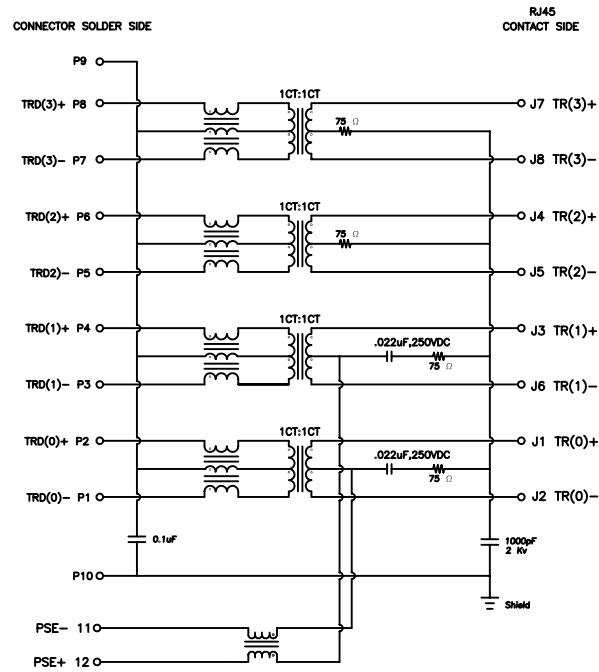
**SUGGESTED PCB LAYOUT**  
(TOP VIEW)

**NOTES:**

1. MATERIAL:  
 HOUSING: PBT POLYESTER UL-94V-0  
 MIXED GLASS FIBER.  
 STANDARD COLOR-BLACK  
 CONTACTS: 0.35mm THICK PHOS-BRONZE PLATED  
 WITH 30u" HARD GOLD AND TIN IN  
 SOLDER AREA.  
 SHIELD: SUS301 T=0.20 mm WITH TIN ON  
 TERMINATION END.
2. CAVITY CONFIRMS TO FCC RULES AND REGULATIONS  
 PART 68,SUBPART F.
3. UNSPECIFIED TOLERANCE: .XX ±0.25[0.010]  
 .X ±0.30[0.012]

|   |  |  |  |   |  |
|---|--|--|--|---|--|
|   |  | CONNECTING THE INFORMATION AGE   |  |   |  |
|   |  | XMULTIPLE ASIA<br>4F, No. 347, Yang Guang St.,<br>Neihu Chiu, Taipei, Taiwan 11475 |  | XMULTIPLE USA<br>1420 Los Angeles Ave., Suite G,<br>Simi Valley, CA 93065 |  |
| THIS DRAWING IS A CONTROLLED DOCUMENT.  |  |  |  | G/NO:   |  |
| TITLE: Stacked RJ45, W/LED, with 10/100/1000 Mbps Filter<br>BP,12C, Shielded, Thru Hole, For P.O.E. |  |  |  | DWG NO:<br>XPJH-28D-0-H01-01  |  |
| PART NO: XPJH-28D-0-H01-01  |  |  |  | DRAWN:<br>LEON  |  |
|   |  |  |  | CHKD:<br>JEFF   |  |
| UNIT<br>mm[inch]  |  | SHEET<br>1 of 1  |  | REV<br>01   |  |
|   |  |  |  | DATE:<br>07/10/05   |  |

SCHEMATIC:



ELECTRICAL CHARACTERISTICS AT +25° UNLESS OTHER SPECIFIED  
(FOR REFERENCE ONLY. USED FOR CUSTOMER INFORMATION.)

| PARAMETER                                  | SPECIFICATIONS   |  |
|--|--|--|
| INSERTION LOSS                             | 100 KHz  | 1-125 MHz                                  |
|  | -1.2 dB MAX  | -0.2-0.002*f <sup>1.4</sup> dB MAX         |
| RETURN LOSS<br>(Z OUT = 100 OHM ±15%)      | .1-40 MHz  | 40-100 MHz                                 |
|  | -18 dB MIN   | -12+20*LOG <sub>10</sub> (f/80 MHz) dB MIN |
| INDUCTANCE (OCL)<br>(MEDIA SIDE, 0°C-70°C) | 350 uH MIN (MEASURED AT 100 KHz, 100 mVRMS<br>AND WITH 8 mA DC BIAS) |  |
| CROSSTALK, ADJACENT<br>CHANNELS            | 1 MHz  | 10-100 MHz                                 |
|  | -50 dB MIN   | -55+22*LOG <sub>10</sub> (f/10) dB MIN     |
| COMMON MODE<br>REJECTION RATIO             | 2 MHz  | 30-200 MHz                                 |
|  | -50 dB MIN   | -15+20*LOG <sub>10</sub> (f/200) dB MIN    |
| DC RESISTANCE<br>1/2 WINDING               | .65 OHMS MAX   |  |
| DC RESISTANCE<br>IMBALANCE                 | ±.065 OHMS MAX (CENTER TAP SYMMETRY)                                 |  |
| DC CURRENT/VOLTAGE<br>RATING - PSE PINS    | 350 mA, ● 57 V (CONTINUOUS)  |  |
| INPUT - OUTPUT<br>ISOLATION                | 1500 VRMS MIN ● 60 SECONDS   |  |

NOTE: f IS FREQUENCY IN MHz.

XPJH-28D-0-H01-01

Series No

CIRCUIT TYPE

LED COLOR OPTION

Number of Port  
28D : 2X8 PORT , VERTICAL PIN , LED ON TOP PORT ONLY

SERIAL NUMBER

RoHS Compliant

|   |  |  |  |
|---|--|--|--|
| X MULTIPLE  |  | CONNECTING<br>THE INFORMATION<br>AGE                                       |  |
| X MULTIPLE ASIA<br>4F, No. 347, Yang Guang St.,<br>Neihu Chiu, Taipei, Taiwan 11475                 |  | X MULTIPLE USA<br>1420 Los Angeles Ave., Suite G,<br>Simi Valley, CA 93065 |  |
| THIS DRAWING IS A CONTROLLED DOCUMENT.  |  | G/NO:  |  |
| TITLE: Stacked RJ45, W/LED, with 10/100/1000 Mbps Filter<br>8P,12C, Shielded, Thru Hole, For P.O.E. |  | DWG NO:<br>XPJH-28D-0-H01-01   |  |
| PART NO: XPJH-28D-0-H01-01  |  | DRAWN:<br>LEON   |  |
|   |  | CHKD:<br>JEFF  |  |
|   |  | DATE:<br>07/10/05  |  |
| UNIT<br>mm[inch]  |  | SHEET<br>2 of 2  |  |
|   |  | REV<br>01  |  |