

**SUGGESTED PCB LAYOUT**  
(TOP VIEW)

# PROPOSAL

**NOTES:**

**1. MATERIAL:**

- HOUSING—PBT POLYESTER UL-94V-0 MIXED GLASS FIBER. STANDARD COLOR—BLACK
- CONTACTS—0.35mm THICK PHOS—BRONZE PLATED WITH 30u" HARD GOLD AND TIN/LEAD IN SOLDER AREA.
- SHIELD—0.20mm THICK COPPER ALLOY, PLATED WITH TIN/LEAD.

**2. ELECTRICAL:**

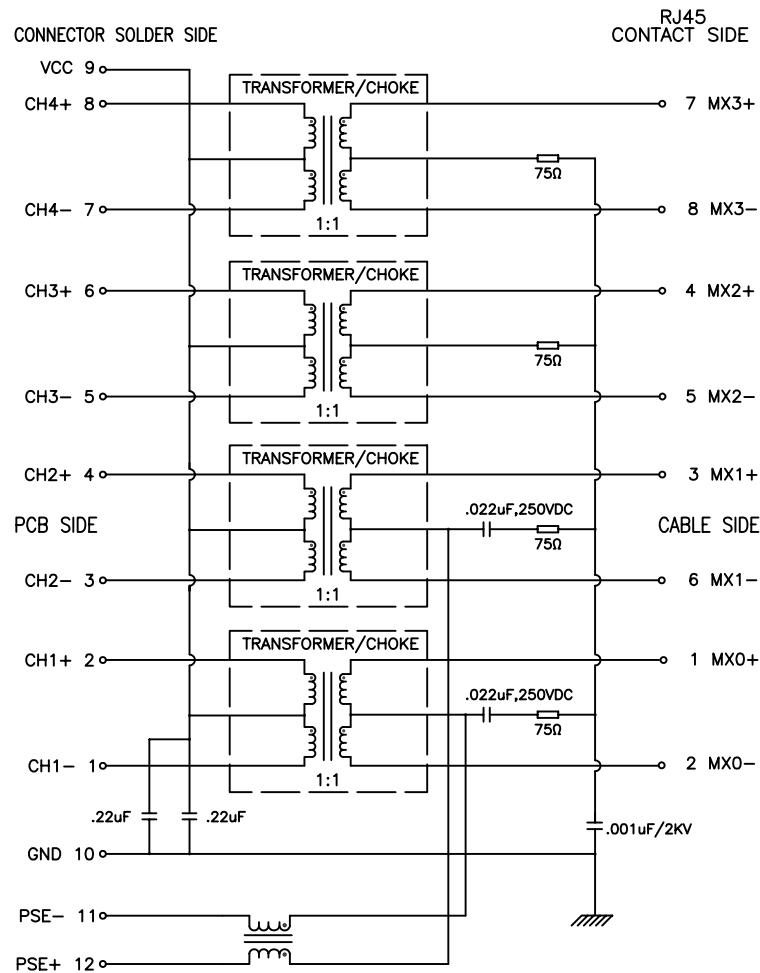
- CONTACT RESISTANCE: 20 MILLIOHMS MAXIMUM
- INSULATION RESISTANCE: 500 MEGOHMS MINIMUM
- CURRENT RATING: 1.5 AMPS
- VOLTAGE RATING: 150 VOLTS AC

**3. CAVITY CONFIRMS TO FCC RULES AND REGULATIONS PART 68, SUBPART F.**

- 4. UNSPECIFIED TOLERANCE:** .XX  $\pm$ 0.25[0.010]  
.X  $\pm$ 0.30[0.012]

<b>X MULTIPLE</b>		CONNECTING THE INFORMATION AGE	
X MULTIPLE ASIA 4F, No. 347, Yang Guang St., Neihu Chiu, Taipei, Taiwan 11475		X MULTIPLE USA 1420 Los Angeles Ave., Suite G, Simi Valley, CA 93065	
THIS DRAWING IS A CONTROLLED DOCUMENT.		CUSTOMER/NO:	
TITLE: Stacked RJ45, W/LED, with 10/100/1000 Mbps Filter 8P, 12C, Shielded, Thru Hole, For P.O.E.		DWG NO: XPJH-2-28-8C-T4D-0-PH01	
PART NO: XPJH-2-28-8C-T4D-0-PH01		DRAWN: NANCY	
		CHKD: JEFF	
		DATE: 25/02/05	
DIMENSIONS		SHEET	REV
mm[inch]		1 of 2	01

# SCHEMATIC:



ELECTRICAL CHARACTERISTICS AT +25° UNLESS OTHER SPECIFIED  
(FOR REFERENCE ONLY. USED FOR CUSTOMER INFORMATION.)

PARAMETER	SPECIFICATIONS	
INSERTION LOSS	100 KHz	1-125 MHz
	-1.2 dB MAX	-0.2-0.002*f <sup>1.4</sup> dB MAX
RETURN LOSS (Z OUT = 100 OHM ±15%)	.1-40 MHz	40-100 MHz
	-18 dB MIN	-12+20*LOG <sub>10</sub> (f/80 MHz) dB MIN
INDUCTANCE (OCL) (MEDIA SIDE, 0°C-70°C)	350 uH MIN (MEASURED AT 100 KHz, 100 mVRMS AND WITH 8 mA DC BIAS)	
CROSSTALK, ADJACENT CHANNELS	1 MHz	10-100 MHz
	-50 dB MIN	-55+22*LOG <sub>10</sub> (f/10) dB MIN
COMMON MODE REJECTION RATIO	2 MHz	30-200 MHz
	-50 dB MIN	-15+20*LOG <sub>10</sub> (f/200) dB MIN
DC RESISTANCE 1/2 WINDING	.65 OHMS MAX	
DC RESISTANCE IMBALANCE	±.065 OHMS MAX (CENTER TAP SYMMETRY)	
DC CURRENT/VOLTAGE RATING - PSE PINS	350 mA, @ 57 V (CONTINUOUS)	
INPUT - OUTPUT ISOLATION	1500 VRMS MIN @ 60 SECONDS	

NOTE: f IS FREQUENCY IN MHZ.

XPJH-2-28-8C-T4D-0-PH01

Series No  
Application Category  
2 : 10/100/1000 Base Filter

Number of Port  
28 : 2\*8 PORTS

Number of Position  
&  
Number of Contact  
8C : 8P12C

CIRCUIT TYPE

LED COLOR OPTION

Grounding Pegs  
D : 2\*8 PORTS-7 TABS (38.49)

EMI FINGER  
4 : PANEL GROUND ON 4 SIDES

PLASTIC HOUSING  
T : DOUBLE-DECKED , VERTICAL (38.49)

# PROPOSAL

<b>XMULTIPLE</b>		CONNECTING THE INFORMATION AGE	
XMULTIPLE ASIA 4F, No. 347, Yang Guang St., Neihu Chiu, Taipei, Taiwan 11475		XMULTIPLE USA 1420 Los Angeles Ave., Suite G, Simi Valley, CA 93065	
THIS DRAWING IS A CONTROLLED DOCUMENT.		CUSTOMER/NO:	
TITLE: Stacked RJ45, W/LED, with 10/100/1000 Mbps Filter 8P, 12C, Shielded, Thru Hole, For P.O.E.		DWG NO: XPJH-2-28-8C-T4D-0-PH01	
PART NO: XPJH-2-28-8C-T4D-0-PH01		DRAWN: NANCY	
DIMENSIONS mm[inch]		CHKD: JEFF	
SHEET 2 of 2		DATE: 25/02/05	
REV 01			