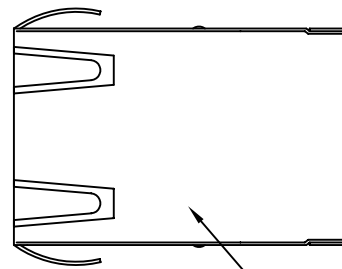
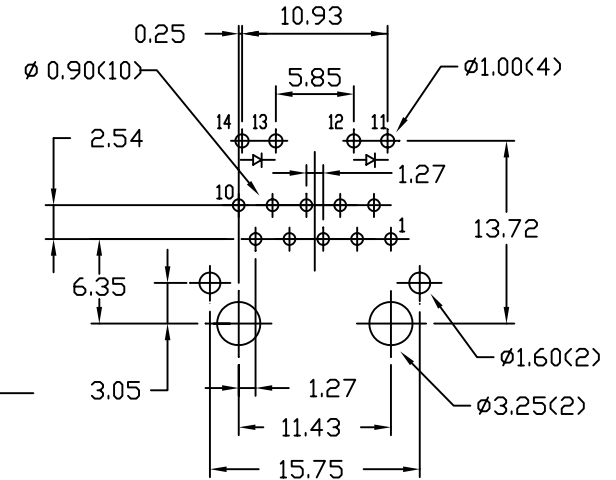


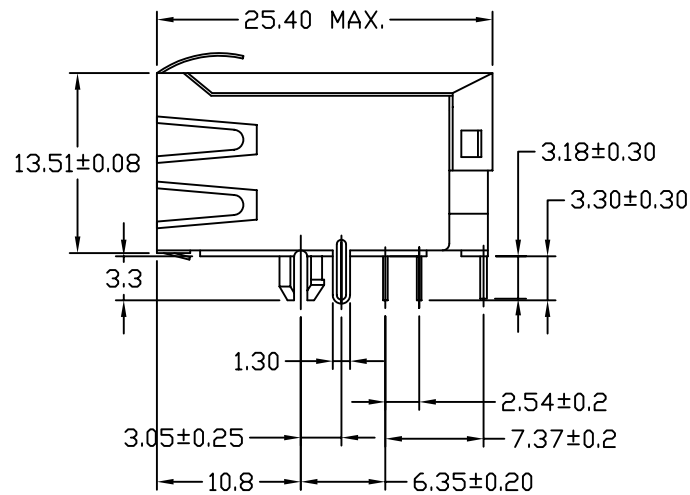
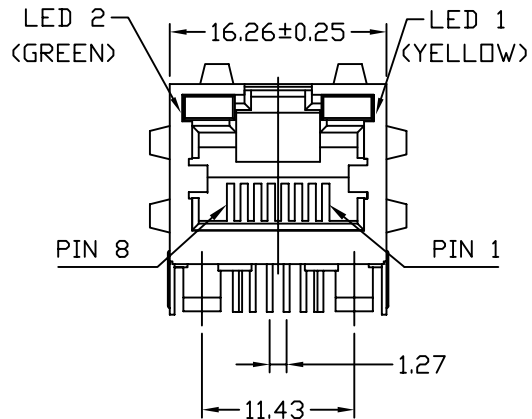
1. MECHANICAL DIMENSIONS :



SHIELD LOGO  
(XMULTIPLE)



SUGGESTED PCB LAYOUT  
(TOP VIEW)



NOTES:

1. MATERIAL:

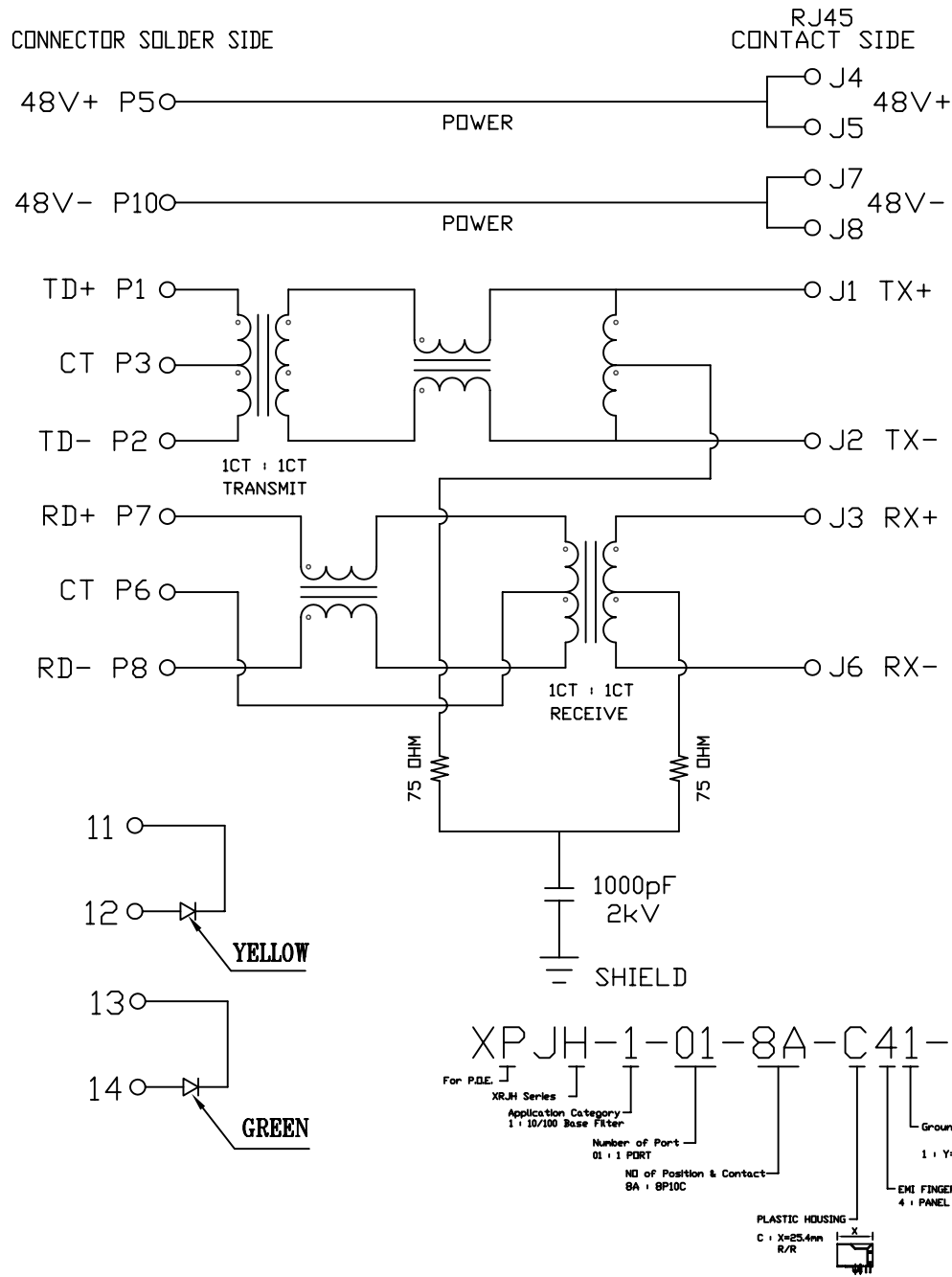
HOUSING-DSM STANYL TE250F6 (NYLON-46)  
HEAT DEFLECTION TEMP.290°  
BLACK COLOR, UL94V-0  
CONTACTS-0.35mm THICK PHOS-BRONZE PLATED  
WITH 30u" HARD GOLD AND TIN/LEAD IN  
SOLDER AREA.  
SHIELD-0.20mm THICK COPPER ALLOY,  
PLATED WITH NICKEL.

2. CAVITY CONFIRMS TO FCC RULES AND REGULATIONS  
PART 68,SUBPART F.

3. UNSPECIFIED TOLERANCE: .XX ±0.25[0.010]  
.X ±0.30[0.012]

<b>XMULTIPLE</b>		CONNECTING THE INFORMATION AGE	
XMULTIPLE ASIA 4F, No. 347, Yang Guang St., Neihu Chiu, Taipei, Taiwan 11475		XMULTIPLE USA 543 Country Club Drive #B 128 Simi Valley, CA 93065	
G/NO:		DWG NO: XPJH-1-01-8A-C41-4-PE11	
THIS DRAWING IS A CONTROLLED DOCUMENT.			
TITLE: Stacked RJ45, W/LED, with 10/100 Mbps Filter BP,10C, Shielded, Thru Hole, For P.D.E.		DRAWN: JEFF	
PART NO: XPJH-1-01-8A-C41-4-PE11		CHKD: FUTIEN	
		DIMENSIONS mm[inch]	SHEET 1 of 2
		REV 01	DATE: 22/03/04

## 2. SCHEMATIC:



## 3. ELECTRICAL CHARACTERISTICS :

TEST NOTES:(25±5°C)

1.TR:(100KHz,0.1V);

PINS:(1-2):(J1-J2)=1:1±3%

PINS:(7-8):(J3-J6)=1:1±3%

2.LX:(100KHz,100mV,8mA, DC Bias)

PINS: (1,2),(7,8)=350uH MINIMUM

3.DCR:

PINS:(1-2),(J1-J2),(J3-J6)= 1.0 OHMS MAXIMUM

PINS:(7-8)=1.2 OHMS MAXIMUM

4.HIPOT:

PINS(1,3,2)TO(J1,J2)=1500VAC FOR 60 SECONDS

PINS(7,6,8)TO(J3,J6)=1500VAC FOR 60 SECONDS

5.INSERTION LOSS:

-1.0dB MAXIMUM AT 0.1MHz TO 100MHz;

6.RETURN LOSS:

-20dB MINIMUM AT 1MHz TO 30MHz;

-15dB MINIMUM AT 30MHz TO 60MHz

-10dB MINIMUM AT 60MHz TO 80MHz

7.CROSS TALK:

-30dB MINIMUM AT 1MHz TO 100MHz

8.COMMON TO COMMON MODE REJECTION:

-30dB MINIMUM AT 1MHz TO 100MHz

X MULTIPLE		CONNECTING THE INFORMATION AGE	
MULTIPLE ASIA 4F, No. 347, Yang Guang St., Neihu Chlu, Taipei, Taiwan 11475		MULTIPLE USA 543 Country Club Drive #B 128 Simi Valley, CA 93065	
THIS DRAWING IS A CONTROLLED DOCUMENT.		G/NO: DWG NO: XPJH-1-01-8A-C41-4-PE11	
TITLE: Stacked RJ45, W/LED, with 10/100 Mbps Filter 8P,10C, Shielded, Thru Hole, For P.D.E.		DRAWN: JEFF	
PART NO: XPJH-1-01-8A-C41-4-PE11		CHKD: FUTIEN	
		DIMENSIONS mm[inch ]	SHEET 2 of 2
		REV 01	DATE: 22/03/04