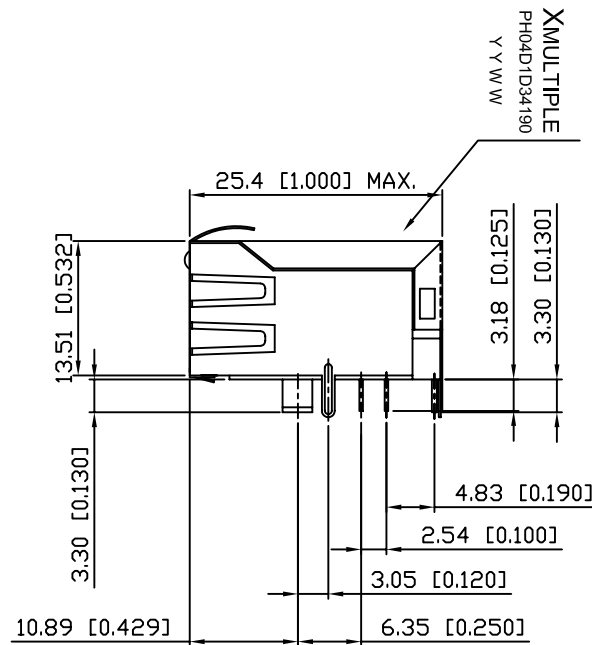
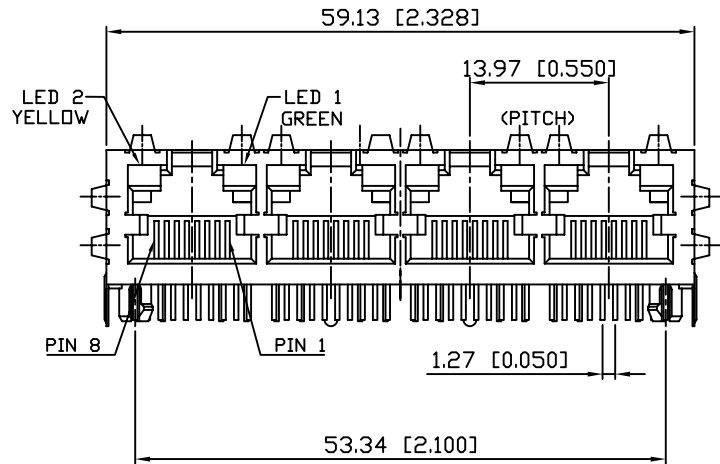
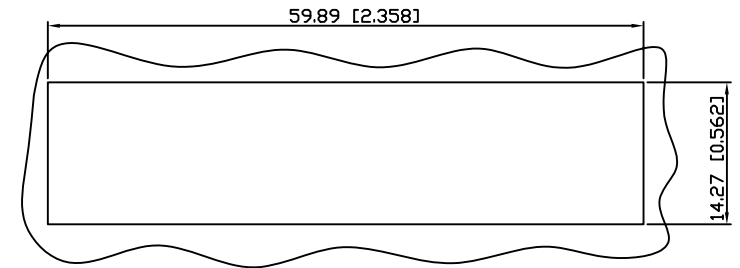


1. MECHANICAL DIMENSIONS :



NOTES:

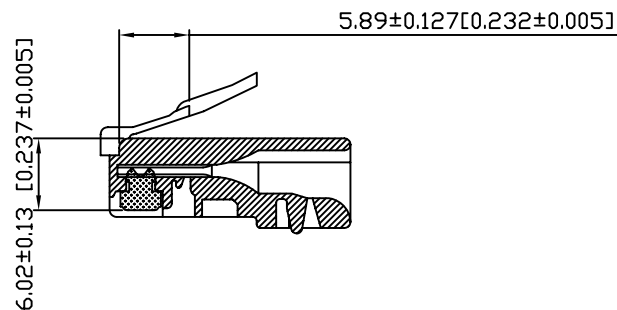
- MATERIAL:
HOUSING-NYLON POLYESTER UL94V-0
MIXED GLASS FIBER,
STANDARD COLOR-BLACK
CONTACTS-0.35mm THICK PHOS-BRONZE PLATED
WITH 30u" GOLD AND TIN IN
SOLDER AREA.
SHIELD-0.20mm THICK COPPER ALLOY,
PLATED WITH NICKEL.
- CAVITY CONFORMS TO FCC RULES AND REGULATIONS
PART 68,SUBPART F.
- UNSPECIFIED TOLERANCE: .XX ±0.25[0.010]
.X ±0.30[0.012]



RECOMMENDED
PANEL CUTOUT DIMENSION

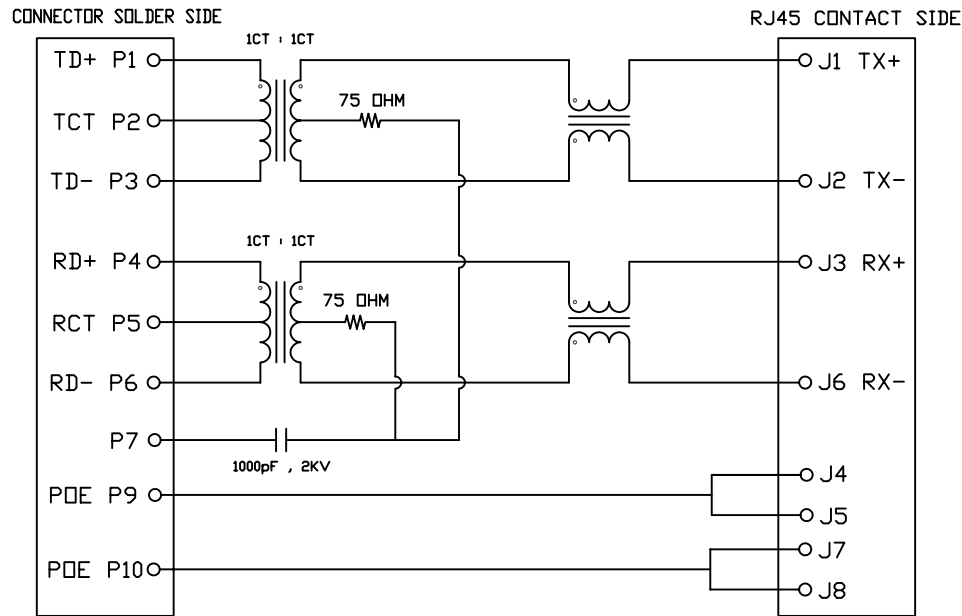
RoHS Compliant

RECOMMENED PLUG DIMENSION:



		THE INFORMATION AGE	
		XMULTIPLE ASIA 4F, No. 347, Yang Guang St., Neihu Chiu, Taipei, Taiwan 11475	
XMULTIPLE USA 1420 Los Angeles Ave., Suite G, Simi Valley, CA 93065		G/NO: DWG NO: XPJH-04D-1-D34-190	
THIS DRAWING IS A CONTROLLED DOCUMENT.			
TITLE: RJ45, W/LED, with 10/100 Mbps Filter 8P,10C, Shielded, Thru Hole.		DRAWN: TARA	
PART NO: XPJH-04D-1-D34-190		CHKD: JEFF	
	UNIT mm[inch]	SHEET 1 of 3	REV 01
		DATE: Oct.30,06	

4. SCHEMATIC :



5. ELECTRICAL CHARACTERISTICS

TEST NOTES:(25±5°C)

1.TR:(100KHz,0.1V);

PINS:(P1-P3):(J1-J2)=1:1±3%

PINS:(P4-P6):(J3-J6)=1:1±3%

2.LX:(100KHz,100mV,8mA, DC Bias)

PINS:(P1,P3),(P4,P6)=350uH MINIMUM

3.DCR:

PINS:(J1-J2),(J3-J6)=1.2 OHMS MAXIMUM

4.HIPOT:

PINS(P1,P2,P3)TO(J1,J2)=1500VAC FOR 60 SECONDS

PINS(P4,P5,P6)TO(J3,J6)=1500VAC FOR 60 SECONDS

5.INSERTION LOSS:

-1.0dB MAXIMUM AT 0.3MHz TO 100MHz;

6.RETURN LOSS:

-20dB MINIMUM AT 1MHz TO 30MHz;

-15dB MINIMUM AT 30MHz TO 60MHz

-10dB MINIMUM AT 60MHz TO 80MHz

7.CROSS TALK:

-30dB MINIMUM AT 1MHz TO 100MHz

8.COMMON TO COMMON MODE REJECTION:

-30dB MINIMUM AT 1MHz TO 100MHz

XPJH-04D-1-D34-190

PRODUCT SERIES
XPJH : LATCH UP AND STACKED
FOR PoE TYPE

NUMBER OF PORTS
MECHANICAL TYPE
04D : XRJH 4 PORT, LENGTH=25.4mm,
STAGGERED PINS

LED COLOR OPTION

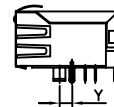
PROTOCOL TYPE
D : 10/100 Mbps, 4 CORE

SPECIAL CODE
0 : STANDARD

SHIELDED TYPE
9 : 4 PORT V/2 TABS, Y=3.05mm,
EMI FINGER ON ALL SIDE

LED POLARITY
1 : +, -

CIRCUIT TYPE



RoHS Compliant

X MULTIPLE		THE INFORMATION AGE	
X MULTIPLE ASIA 4F, No. 347, Yang Guang St., Neihu Chiu, Taipei, Taiwan 11475		X MULTIPLE USA 1420 Los Angeles Ave., Suite G, Simi Valley, CA 93065	
THIS DRAWING IS A CONTROLLED DOCUMENT.		G/NO:	
TITLE: RJ45, W/LED, with 10/100 Mbps Filter 8P,10C, Shielded, Thru Hole.		DWG NO: XPJH-04D-1-D34-190	
PART NO: XPJH-04D-1-D34-190		DRAWN: TARA	
		CHKD: JEFF	
		DATE: Oct.30,06	
UNIT: mm[inch]		SHEET: 3 of 3	
		REV: 01	