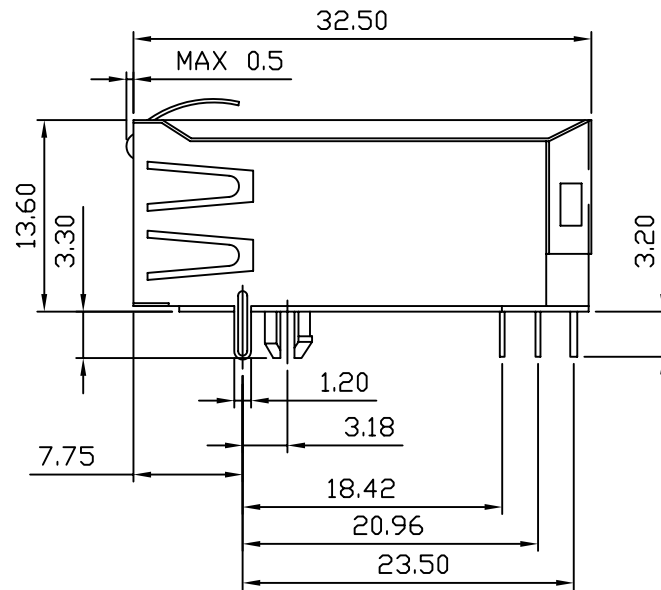
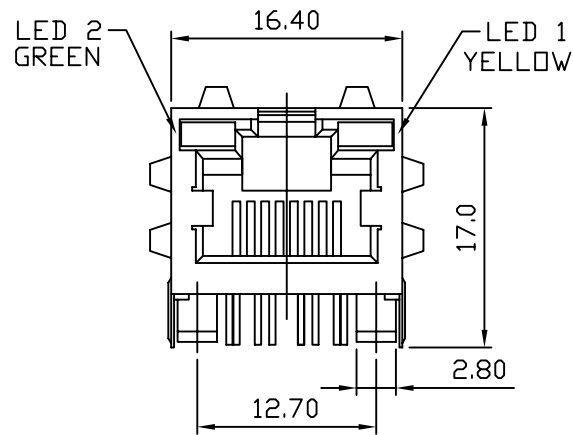
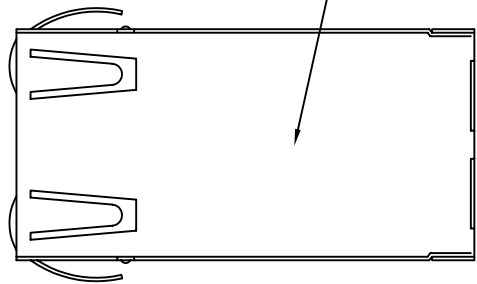
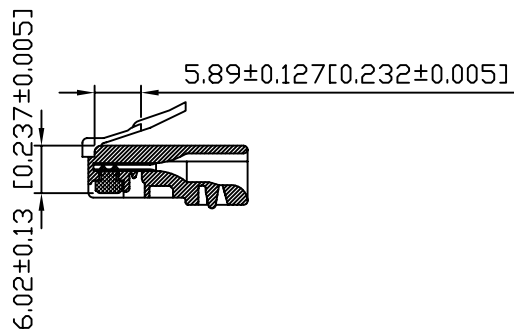


1. MECHANICAL DIMENSIONS :

SHIELD LOGO
(XMULTIPLE)



RECOMMENED PLUG DIMENSION:



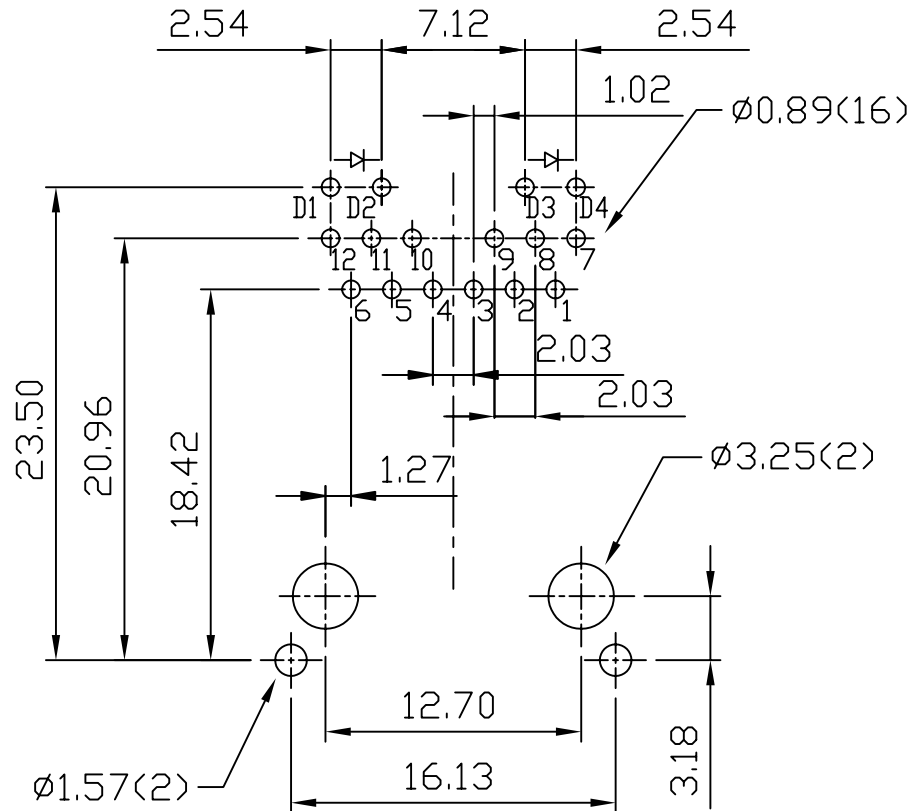
NOTES:

1. MATERIALS:
HOUSING-PBT POLYESTER UL94V-0
MIXED GLASS FIBER.
STANDARD COLOR-BLACK
CONTACTS-0.35mm THICK PHOS-BRONZE PLATED
WITH 30u" GOLD AND TIN IN
SOLDER AREA.
SHIELD-0.25mm THICK COPPER ALLOY,
PLATED WITH NICKEL.
2. CAVITY CONFIRMS TO FCC RULES AND REGULATIONS
PART 68,SUBPART F.
3. OPERATING TEMPERATURE: -40°C TO +85°C
4. UNSPECIFIED TOLERANCE: .XX ±0.25[0.01]
.X ±0.30[0.012]

RoHS Compliant

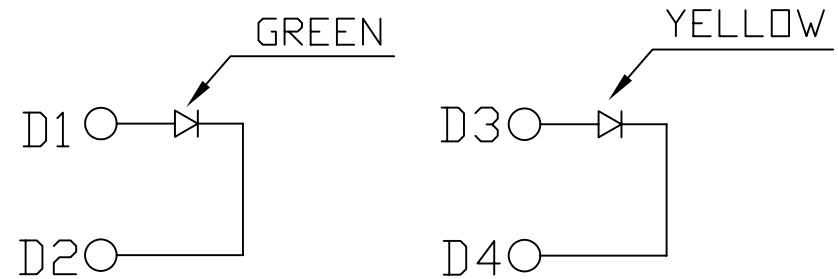
XMULTIPLE		THE INFORMATION AGE	
XMULTIPLE ASIA 4F, No. 347, Yang Guang St., Neihu Chiu, Taipei, Taiwan 11475		XMULTIPLE USA 1420 Los Angeles Ave., Suite G, Simi Valley, CA 93065	
THIS DRAWING IS A CONTROLLED DOCUMENT.		G/NO:	
TITLE: RJ45, w/LED,w/Filter 10/100 Mbps 8P,12C, Shielded,Thru-Hole For PoE		DWG NO: XPJH-01R-4-D11-171	
PART NO: XPJH-01R-4-D11-171		DRAWN: AUSTIN	
		CHKD: JEFF	
		DATE: Apr.04,06	
UNIT: mm[inch]		SHEET: 1 of 3	
		REV: 01	

2. PCB LAYOUT :




SUGGESTED PCB LAYOUT
TOP VIEW

3. LED CONFIGURATION :



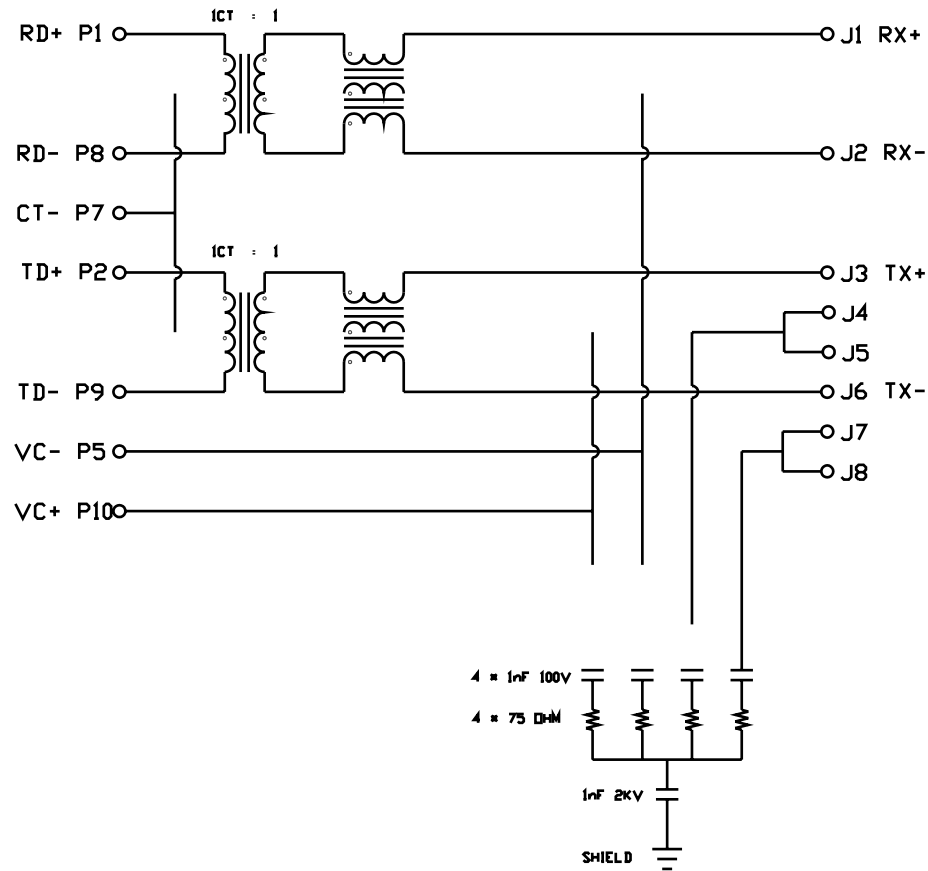
Color	Lens Color	Vf(v) @20mA		Iv(mcd) @10mA		Viewing angle
		Min	Max	Min	Typ	
Yellow	Yellow Diffused	1.7	2.8	3.0	6.0	116
Green	Green Diffused	1.7	2.8	3.5	6.0	116

RoHS Compliant

X MULTIPLE		THE INFORMATION AGE	
XMULTIPLE ASIA 4F, No. 347, Yang Guang St., Neihu Chiu, Taipei, Taiwan 11475		XMULTIPLE USA 1420 Los Angeles Ave., Suite G, Simi Valley, CA 93065	
THIS DRAWING IS A CONTROLLED DOCUMENT.		G/NO:	
TITLE: RJ45, w/LED,w/Filter 10/100 Mbps 8P,12C, Shielded,Thru-Hole For PoE		DWG NO: XPJH-01R-4-D11-171	
PART NO: XPJH-01R-4-D11-171		DRAWN: AUSTIN	
		UNIT	SHEET
		mm[inch]	2 of 3
		REV	DATE:
		01	Apr.04,06

CONNECTOR SOLDER SIDE

RJ45 CONTACT SIDE



TEST NOTES:(25±5°C)

1.TR:(100KHz,0.1V);

PINS:(P1-P8):(J1-J2)=1:1±3%

3.DCR:

4.HIPOT:

5.INSERTION LOSS:

-1.0dB MAXIMUM AT 0.3MHz TO 100MHz;

6.RETURN LOSS:

7.CROSS TALK:

9. OPERATING TEMPERATURE -40°C ~ +85°C

S

XPJH-01R-4-D11-171

PRODUCT SERIES
XPJH : TAB UP AND STACKED
FOR PoE TYPE

NUMBER OF PORTS
MECHANICAL TYPE
01R : XRJH 1 PORT, LENGTH=32.5mm,
STRAIGHT PINS

LED COLOR OPTION

PROTOCOL TYPE
D : 10/100 Mbps, 6 CORE

CIRCUIT TYPE

SPECIAL CODE
1 : OPERATING TEMPERATURE
-40°C ~ +85°C

SHIELDED TYPE
7 : EMI FINGER ON ALL SIDE

LED POLARITY
1 : +-, +-

XPJH-01R-4-D11-171

XPJH-01R-4-D11-171