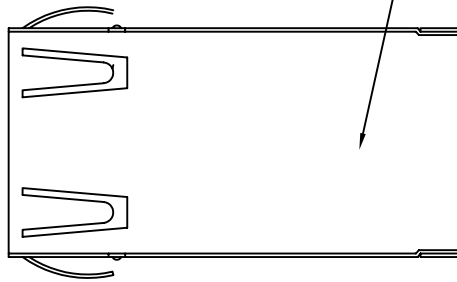


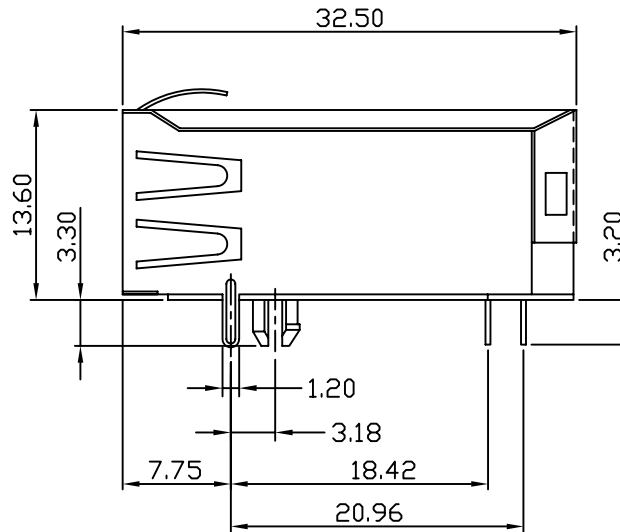
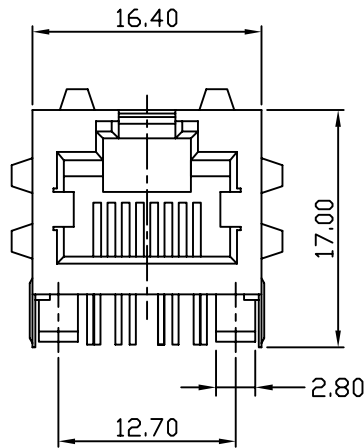
1. MECHANICAL DIMENSIONS :

SHIELD LOGO
(XMULTIPLE)

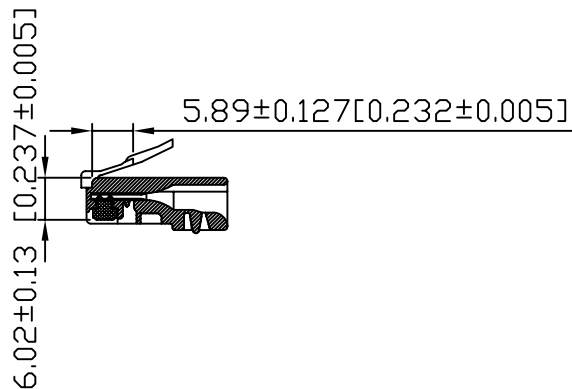


NOTES:





- MATERIALS:
HOUSING-PBT POLYESTER UL94V-0
MIXED GLASS FIBER.
STANDARD COLOR-BLACK
CONTACTS-0.35mm THICK PHOS-BRONZE PLATED
WITH 30u" HARD GOLD AND TIN
IN SOLDER AREA.
SHIELD-0.25mm THICK COPPER ALLOY,
PLATED WITH NICKEL.
- CAVITY CONFIRMS TO FCC RULES AND REGULATIONS
PART 68,SUBPART F.
- UNSPECIFIED TOLERANCE: .XX ±0.25[0.010]
.X ±0.30[0.012]



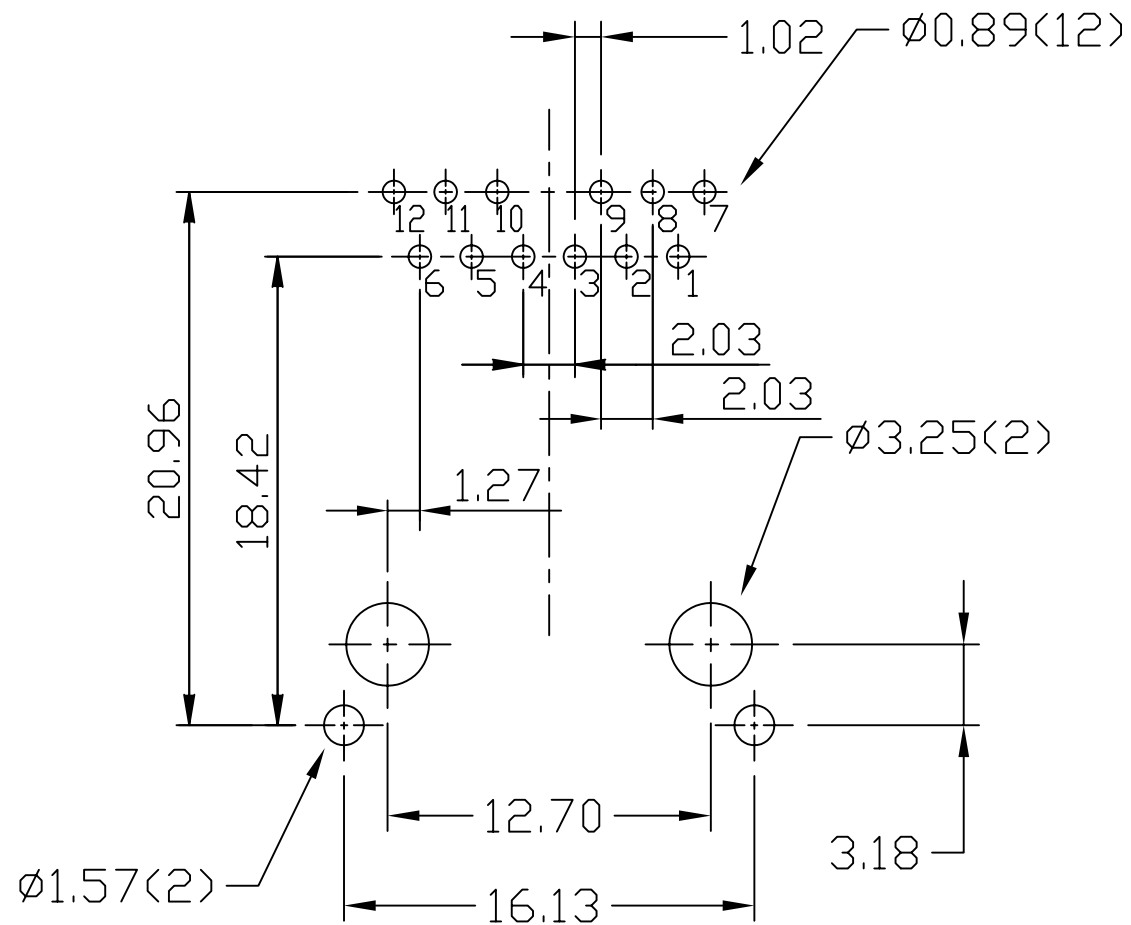
RECOMMENED PLUG DIMENSION:



RoHS Compliant

			
XMULTIPLE ASIA 4F, No. 347, Yang Guang St., Neihu Chu, Taipei, Taiwan 11475		XMULTIPLE USA 1420 Los Angeles Ave., Suite G, Simi Valley, CA 93065	
THIS DRAWING IS A CONTROLLED DOCUMENT.		G/NO:	
TITLE: RJ45, W/LED, with 10/100 Mbps Filter 8P,12C, Shielded, Thru Hole, FOR PoE.		DWG NO: XPJH-01R-0-F02-070	
PART NO: XPJH-01R-0-F02-070		DRAWN: RUNES	
 		UNIT mm[inch]	SHEET 1 of 3
		REV 01	DATE: Apr.03,06

2. PCB LAYOUT :

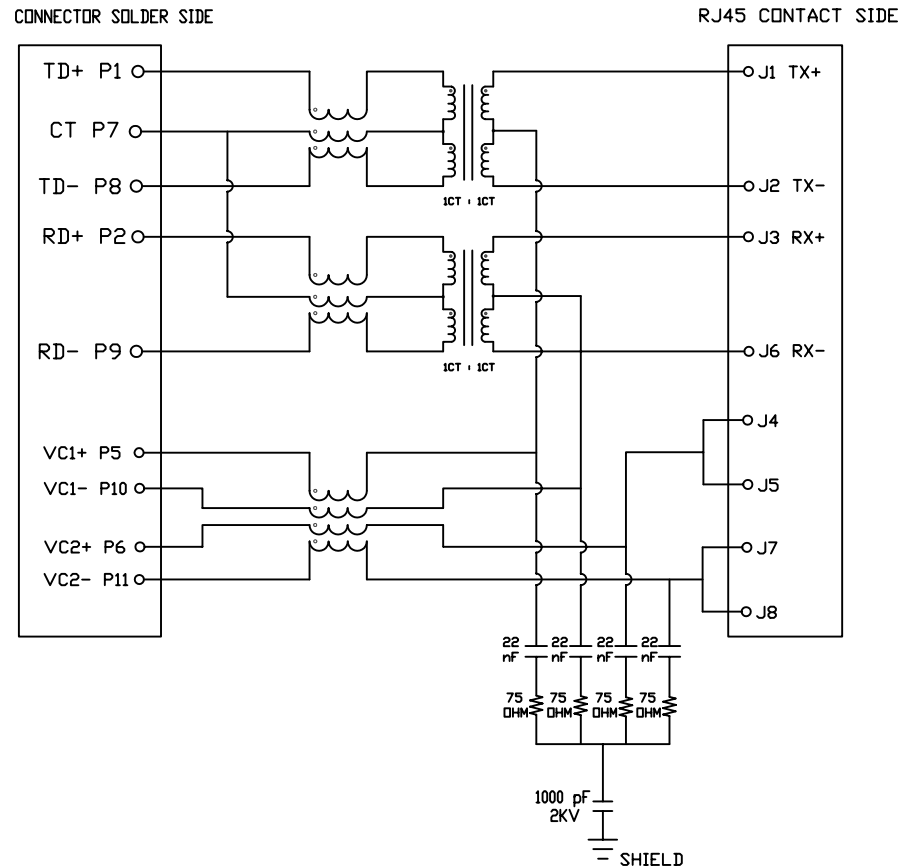


SUGGESTED PCB LAYOUT
(TOP VIEW)

RoHS Compliant

		CONNECTING THE INFORMATION AGE	
X MULTIPLE ASIA 4F, No. 347, Yang Guang St., Neihu Chu, Taipei, Taiwan 11475		X MULTIPLE USA 1420 Los Angeles Ave., Suite G, Simi Valley, CA 93065	
THIS DRAWING IS A CONTROLLED DOCUMENT.			
TITLE: RJ45, W/LED, with 10/100 Mbps Filter 8P,12C, Shielded, Thru Hole, FOR PoE.		DWG NO: XPJH-01R-0-F02-070	
PART NO: XPJH-01R-0-F02-070		DRAWN: RUNES	
		CHKD: JEFF	
UNIT mm[inch]		SHEET 2 of 3	
REV 01		DATE: Apr.03,06	

3. SCHEMATIC :



XPJH-01R-0-F02-070

PRODUCT SERIES

XPJH : TAB UP AND STACKED FOR PoE TRANSFORMER

NUMBER OF PORTS
MECHANICAL TYPE

01R : XRJH 1 PORT, LENGTH=32.5mm, STRAIGHT PINS

LED COLOR OPTION

PROTOCOL TYPE
F : 10/100 Mbps

SPECIAL CODE
0 : STANDARD

SHIELDED TYPE
7 : EMI FINGER ON ALL SIDE

LED POLARITY
0 : W/O LED

CIRCUIT TYPE

4. ELECTRICAL CHARACTERISTICS :

TEST NOTES:(25±5°C)

1.TR:(100KHz,0.1V);

PINS:(P1-P8):(J1-J2)=1:1±3%

PINS:(P2-P9):(J3-J6)=1:1±3%

2.LX:(100KHz,100mV,8mA, DC Bias)

PINS: (P1,P8),(P2,P9)=350uH MINIMUM

3.DCR:

PINS:(P1-P8),(J1-J2),(J3-J6)= 1.0 OHMS MAXIMUM

PINS:(P2-P9)=1.2 OHMS MAXIMUM

4.HIPOT:

PINS(P1,P7,P8)TO(J1,J2)=1500VAC FOR 60 SECONDS

PINS(P7,P2,P9)TO(J3,J6)=1500VAC FOR 60 SECONDS

5.INSERTION LOSS:

-1.0dB MAXIMUM AT 0.3MHz TO 100MHz;

6.RETURN LOSS:

-20dB MINIMUM AT 1MHz TO 30MHz;

-15dB MINIMUM AT 30MHz TO 60MHz

-10dB MINIMUM AT 60MHz TO 80MHz

7.CROSS TALK:

-30dB MINIMUM AT 1MHz TO 100MHz

8.COMMON TO COMMON MODE REJECTION:

-30dB MINIMUM AT 1MHz TO 100MHz

RoHS Compliant

X MULTIPLE		CONNECTING THE INFORMATION AGE	
MULTIPLE ASIA 4F, No. 347, Yang Guang St., Neihu Chu, Taipei, Taiwan 11475		MULTIPLE USA 1420 Los Angeles Ave., Suite G, Simi Valley, CA 93065	
THIS DRAWING IS A CONTROLLED DOCUMENT.		DWG NO: XPJH-01R-0-F02-070	
TITLE: RJ45, W/LED, with 10/100 Mbps Filter 8P,12C, Shielded, Thru Hole, FOR PoE.		DRAWN: RUNES	
PART NO: XPJH-01R-0-F02-070		CHKD: JEFF	
		UNIT mm[inch]	SHEET 3 of 3
		REV 01	DATE: Apr.03,06