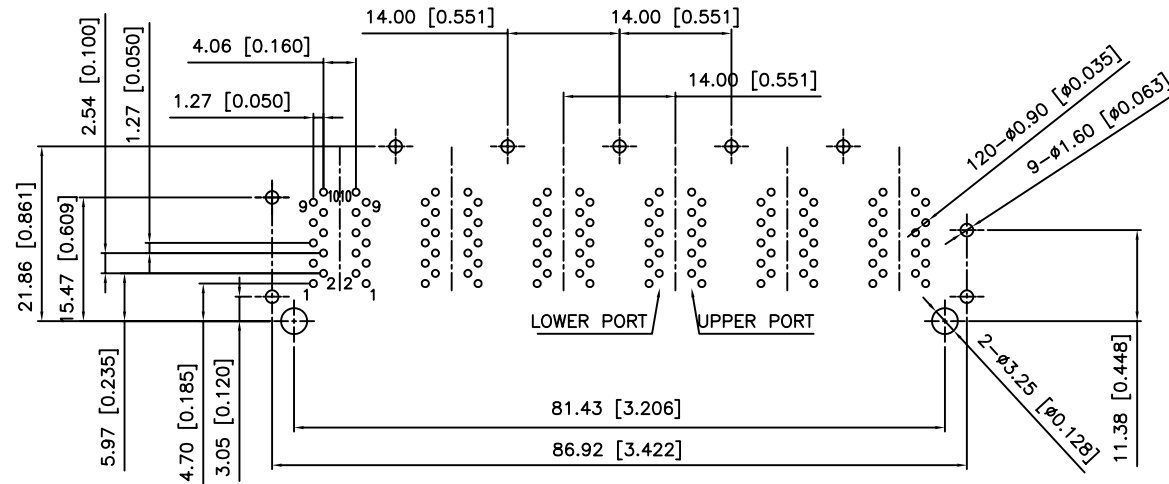
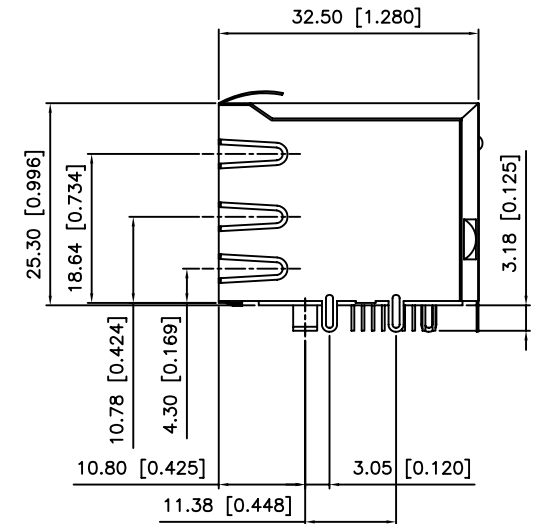
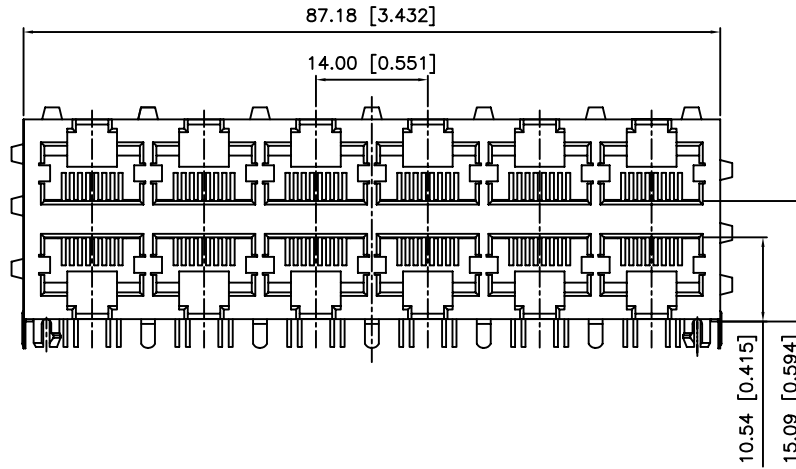
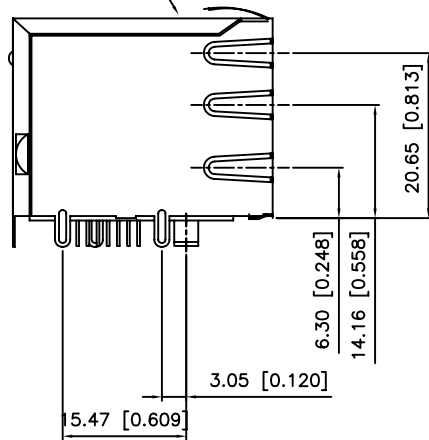


SHIELD LOGO  
(XMULTIPLE)



SUGGESTED PCB LAYOUT  
(TOP VIEW)

NOTES:

1. MATERIAL:

HOUSING—PBT POLYESTER UL-94V-0  
MIXED GLASS FIBER.  
STANDARD COLOR—BLACK

CONTACTS—0.35mm THICK PHOS-BRONZE PLATED  
WITH 30u" HARD GOLD AND TIN/LEAD IN  
SOLDER AREA.

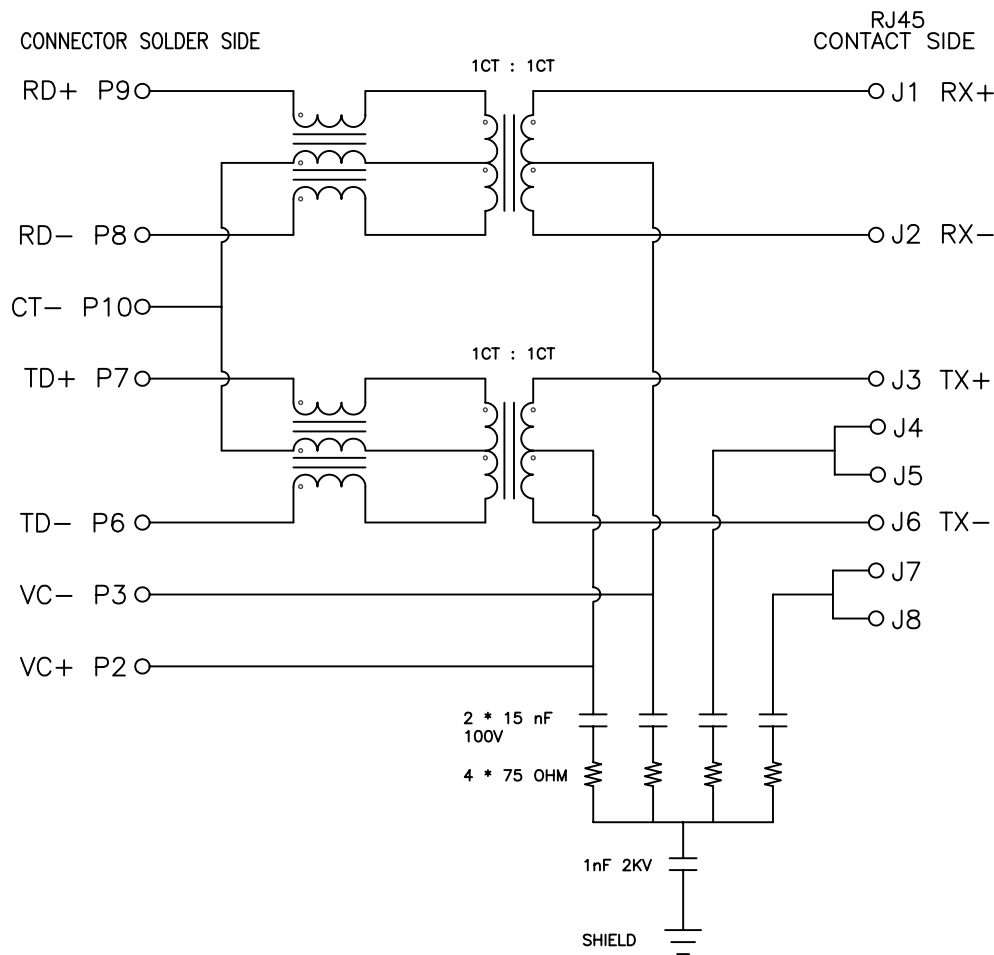
SHIELD—0.20mm THICK COPPER ALLOY,  
PLATED WITH NICKEL.

2. CAVITY CONFIRMS TO FCC RULES AND REGULATIONS  
PART 68,SUBPART F.

3. UNSPECIFIED TOLERANCE: .XX ±0.25[0.010]  
.X ±0.30[0.012]

<h1 style="margin: 0;">X MULTIPLE</h1>		CONNECTING THE INFORMATION AGE	
XMULTIPLE ASIA 4F, No. 347, Yang Guang St., Neihu Chiu, Taipei, Taiwan 11475		XMULTIPLE USA 1420 Los Angeles Ave., Suite G, Simi Valley, CA 93065	
THIS DRAWING IS A CONTROLLED DOCUMENT.		CUSTOMER/NO:	
TITLE: Stacked RJ45, 2*6 Ports, with 10/100 Mbps LAN Magnetics, 8P,10C, Shielded, Thru Hole for P.O.E		DWG NO: XPJH-1-26-8A-S4C-0-PD01	
PART NO: XPJH-1-26-8A-S4C-0-PD01		DRAWN: JEFF	
		CHKD: C. TSAI	
		DATE: 03/01/05	
DIMENSIONS		SHEET	REV
mm[inch ]		1 of 2	01

## 2. SCHEMATIC:



XPJH-1-26-8A-S4C-0-PD01

P.O.E Series  
Application Category  
1 : 10/100 Base Filter

Number of Port  
26 : 2\*6 PORTS

NO of Position & Contact  
8A : 8P10C

LED COLOR OPTION

Grounding Tab Style  
C : 2x4 PORTS-3 TABS W/O LED(32.5-9812 TYPE)

EMI FINGER  
4 : PANEL GROUND ON 4 SIDES

PLASTIC HOUSING  
S : DOUBLE-DECKED , VERTICAL

CIRCUIT TYPE

## 3. ELECTRICAL CHARACTERISTICS :

TEST NOTES:(25±5°C)

1.TR:(100KHz,0.1V);

PINS:(7-6):(J3-J6)=1:1±3%

PINS:(9-8):(J1-J2)=1:1±3%

2.LX:(100KHz,100mV,8mA, DC Bias)

PINS:(7,6),(9,8)=350uH MINIMUM

3.DCR:

PINS:(7-6),(J1-J2),(J3-J6)= 1.0 OHMS MAXIMUM

PINS:(9-8)=1.2 OHMS MAXIMUM

4.HIPOT:

PINS(9,10,8)TO(J1,J2)=1500VAC FOR 60 SECONDS

PINS(7,10,6)TO(J3,J6)=1500VAC FOR 60 SECONDS

5.INSERTION LOSS:

-1.0dB MAXIMUM AT 0.1MHz TO 100MHz;

6.RETURN LOSS:

-20dB MINIMUM AT 1MHz TO 30MHz;

-15dB MINIMUM AT 30MHz TO 60MHz

-10dB MINIMUM AT 60MHz TO 80MHz

7.CROSS TALK:

-30dB MINIMUM AT 1MHz TO 100MHz

8.COMMON TO COMMON MODE REJECTION:

-30dB MINIMUM AT 1MHz TO 100MHz

X MULTIPLE			CONNECTING THE INFORMATION AGE	
X MULTIPLE ASIA 4F, No. 347, Yang Guang St., Neihu Chiu, Taipei, Taiwan 11475		X MULTIPLE USA 1420 Los Angeles Ave., Suite G, Simi Valley, CA 93065		CUSTOMER/NO:
THIS DRAWING IS A CONTROLLED DOCUMENT.				DWG NO: XPJH-1-26-8A-S4C-0-PD01
TITLE: Stacked RJ45, 2*6 Ports, with 10/100 Mbps LAN Magnetics, 8P,10C, Shielded, Thru Hole.for P.O.E				DRAWN: JEFF
PART NO: XPJH-1-26-8A-S4C-0-PD01		CHKD: C. TSAI		
DIMENSIONS mm[inch]		SHEET 2 of 2		REV 01
DATE: 03/01/05				