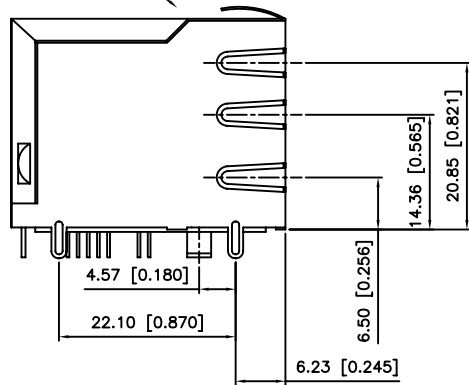
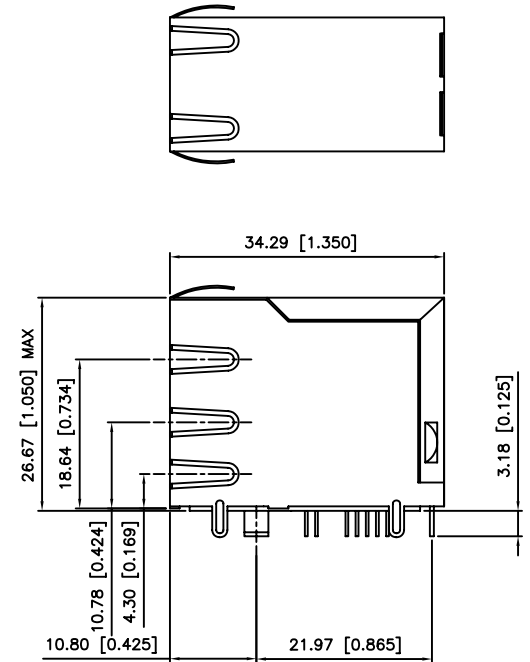
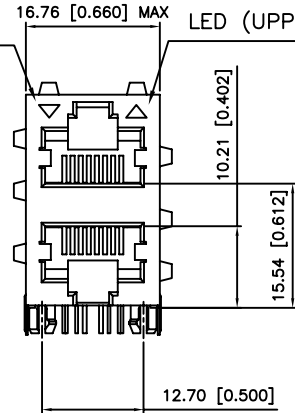


1. MECHANICAL DIMENSIONS :

SHIELD LOGO
(XMULTIPLE)



TRI-COLOR LINK INDICATOR GR/OR/YE
LED (LOWER PORT) 16.76 [0.660] MAX
TRI-COLOR LINK INDICATOR GR/OR/YE
LED (UPPER PORT)



NOTES:

1. MATERIAL:

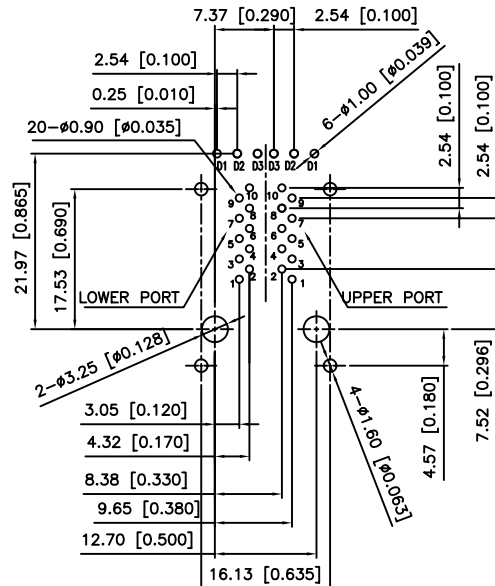
HOUSING-PBT POLYESTER UL-94V-0
MIXED GLASS FIBER.
STANDARD COLOR-BLACK

CONTACTS-0.35mm THICK PHOS-BRONZE PLATED
WITH 30u" HARD GOLD AND TIN/LEAD IN
SOLDER AREA.

SHIELD-0.20mm THICK COPPER ALLOY,
PLATED WITH NICKEL.

2. CAVITY CONFIRMS TO FCC RULES AND REGULATIONS
PART 68,SUBPART F.

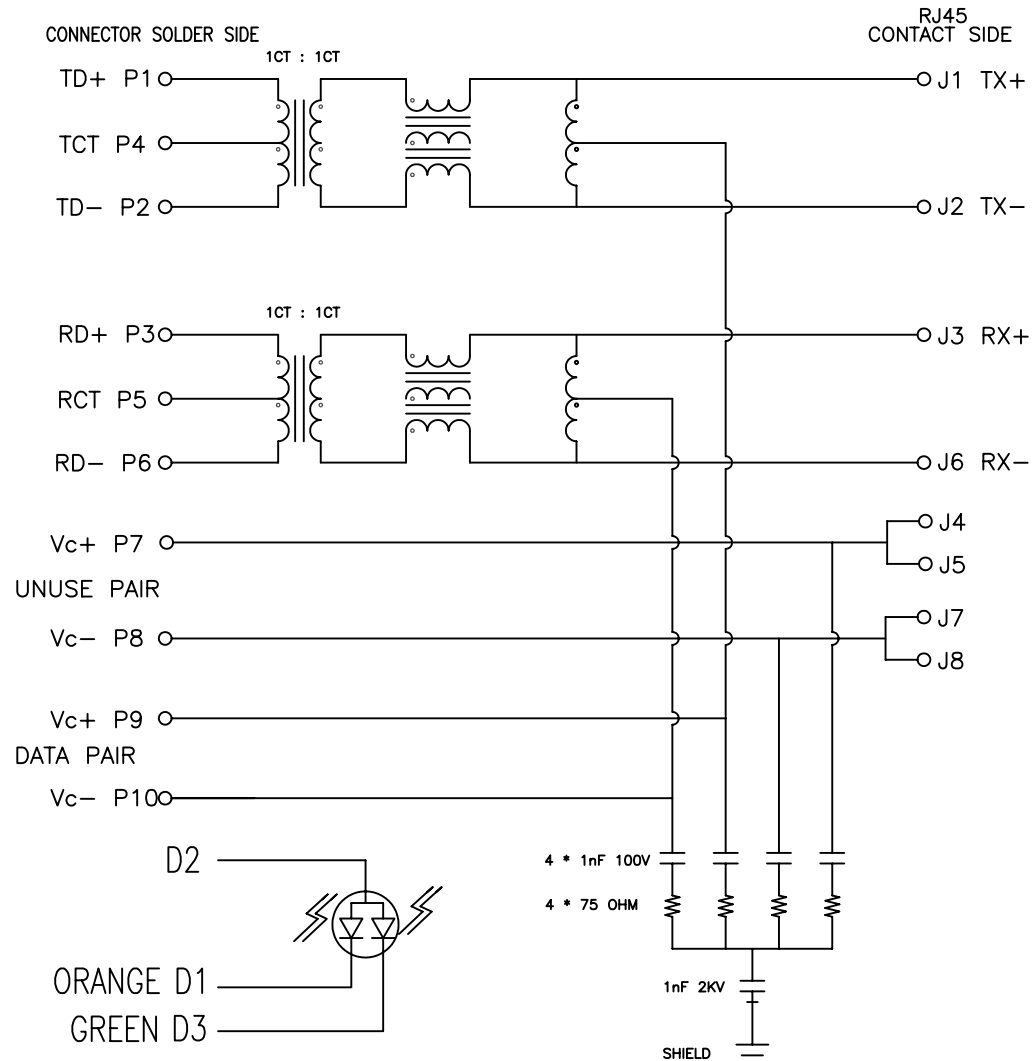
3. UNSPECIFIED TOLERANCE: .XX ±0.25[0.010]
.X ±0.30[0.012]



PCB LAYOUT
TOP VIEW

XMULTIPLE		CONNECTING THE INFORMATION AGE
XMULTIPLE ASIA 4F, No. 347, Yang Guang St., Neihu Chiu, Taipei, Taiwan 11475		XMULTIPLE USA 1420 Los Angeles Ave., Suite G, Simi Valley, CA 93065
THIS DRAWING IS A CONTROLLED DOCUMENT.		CUSTOMER/NO:
TITLE: Stacked RJ45, W/LED, with 10/100 Mbps Filter 8P,8C, Shielded, Thru Hole. For POE.		DWG NO: XPJH-1-21-8A-030-Z-PD21
PART NO: XPJH-1-21-8A-Q30-Z-PD21		DRAWN: TARA
		CHKD: JEFF
DIMENSIONS mm[inch]		DATE: 28/03/05
SHEET 1 of 2		REV 01

2. SCHEMATIC:



ORANGE D1
GREEN D3
YELLOW D1+D3

XPJH-1-21-8A-Q30-Z-PD21

XRJH Series
Application Category
1 : 10/100 Base Filter
Number of Port
21 : 2*1 PORTS
NO of Position & Contact
8A : 8P10C
PLASTIC HOUSING
Q : DOUBLE-DECKED , VERTICAL , FOR 2*1 ONLY

CIRCUIT TYPE
LED COLOR OPTION
Grounding TAB Style
0 : NO TAB FOR 2*1 ONLY
EMI FINGER STYLE
3 : TOP & LEFT & RIGHT 3 SIDES WITH PANEL GROUND

3. ELECTRICAL CHARACTERISTICS :

TEST NOTES:(25±5°C)

1.TR:(100KHz,0.1V);

PINS:(1-2):(J1-J2)=1:1±3%

PINS:(3-6):(J3-J6)=1:1±3%

2.LX:(100KHz,100mV,8mA, DC Bias)

PINS:(1,2),(3,6)=350uH MINIMUM

3.DCR:

PINS:(1-2),(J1-J2),(J3-J6)= 1.0 OHMS MAXIMUM

PINS:(3-6)=1.2 OHMS MAXIMUM

4.HIPOT:

PINS(1,4,2)TO(J1,J2)=1500VAC FOR 60 SECONDS

PINS(3,5,6)TO(J3,J6)=1500VAC FOR 60 SECONDS

5.INSERTION LOSS:

-1.0dB MAXIMUM AT 0.1MHz TO 100MHz;

6.RETURN LOSS:

-20dB MINIMUM AT 1MHz TO 30MHz;

-15dB MINIMUM AT 30MHz TO 60MHz

-10dB MINIMUM AT 60MHz TO 80MHz

7.CROSS TALK:

-30dB MINIMUM AT 1MHz TO 100MHz

8.COMMON TO COMMON MODE REJECTION:

-30dB MINIMUM AT 1MHz TO 100MHz

X MULTIPLE			CONNECTING THE INFORMATION AGE
X MULTIPLE ASIA 4F, No. 347, Yang Guang St., Neihu Chiu, Taipei, Taiwan 11475		X MULTIPLE USA 1420 Los Angeles Ave., Suite G, Simi Valley, CA 93065	
THIS DRAWING IS A CONTROLLED DOCUMENT.			CUSTOMER/NO:
TITLE: Stacked RJ45, W/LED, with 10/100 Mbps Filter 8P,8C, Shielded, Thru Hole. For POE.			DWG NO: XPJH-1-21-8A-Q30-Z-PD21
PART NO: XPJH-1-21-8A-Q30-Z-PD21			DRAWN: TARA
			CHKD: JEFF
DIMENSIONS mm[inch]		SHEET 2 of 2	REV 01
			DATE: 28/03/05