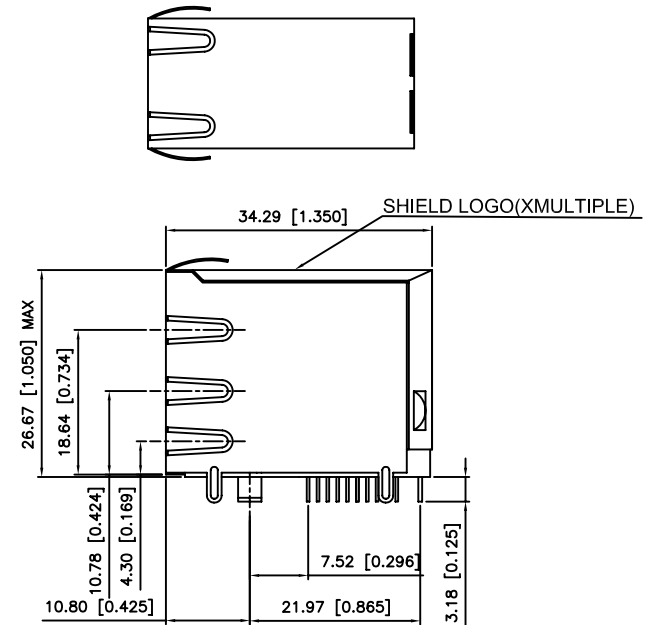
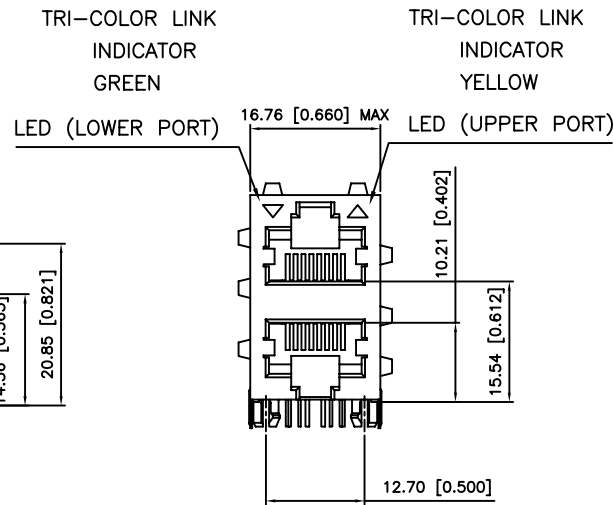
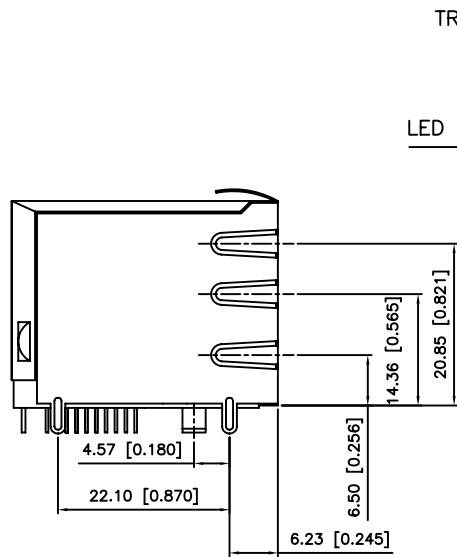


# 1. MECHANICAL DIMENSIONS :



## NOTES:

### 1. MATERIALS:

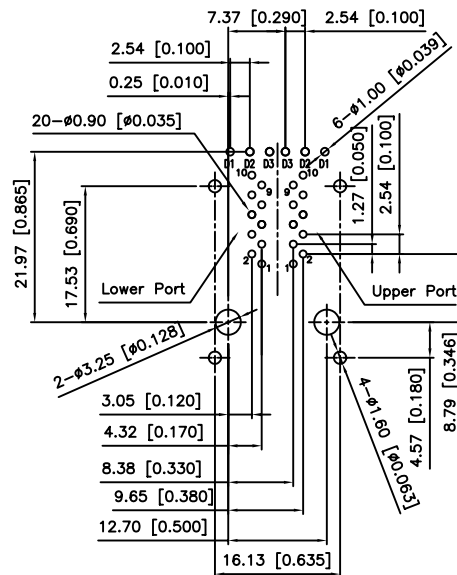
HOUSING-PBT POLYESTER UL-94V-0  
MIXED GLASS FIBER.  
STANDARD COLOR-BLACK

CONTACTS-0.35mm THICK PHOS-BRONZE PLATED  
WITH 30u" GOLD AND TIN/LEAD IN  
SOLDER AREA.

SHIELD-0.20mm THICK COPPER ALLOY,  
PLATED WITH TIN/LEAD.

### 2. CAVITY CONFIRMS TO FCC RULES AND REGULATIONS PART 68,SUBPART F.

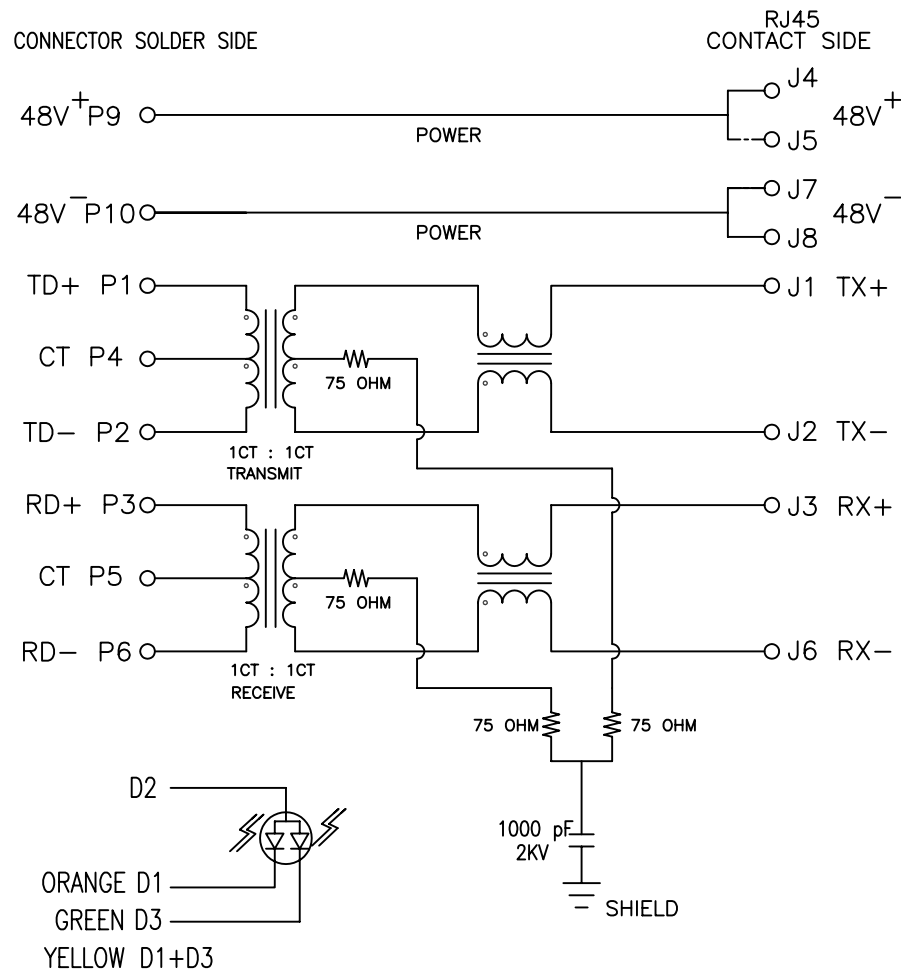
### 3. UNSPECIFIED TOLERANCE: .XX ±0.25[0.010] .X ±0.30[0.012]



**SUGGESTED PCB LAYOUT**  
(TOP VIEW)

<b>XMULTIPLE</b>		CONNECTING THE INFORMATION AGE
XMULTIPLE ASIA 4F, No. 347, Yang Guang St., Neihu Chiu, Taipei, Taiwan 11475		XMULTIPLE USA 1420 Los Angeles Ave., Suite G, Simi Valley, CA 93065
THIS DRAWING IS A CONTROLLED DOCUMENT.		CUSTOMER/NO:
TITLE: Stacked RJ45, W/LED, with 10/100 Mbps Filter ,BP,10C , Shielded, Thru Hole.		DWG NO: XPJH-1-21-8A-Q30-4-PD22
PART NO: XPJH-1-21-8A-Q30-4-PD22		DRAWN: ANNIE
		CHKD: JEFF
DIMENSIONS mm[inch ]		SHEET 1 of 2
REV 01		DATE: 17/03/05

## 2. SCHEMATIC:



## 3. ELECTRICAL CHARACTERISTICS :

TEST NOTES:(25±5°C)

1.TR:(100KHz,0.1V);

PINS:(1-2):(J1-J2)=1:1±3%

PINS:(3-6):(J3-J6)=1:1±3%

2.LX:(100KHz,100mV,8mA, DC Bias)

PINS:(1,2),(3,6)=350uH MINIMUM

3.DCR:

PINS:(1-2),(J1-J2),(J3-J6)= 1.0 OHMS MAXIMUM

PINS:(3-6)=1.2 OHMS MAXIMUM

4.HIPOT:

PINS(1,4,2)TO(J1,J2)=1500VAC FOR 60 SECONDS

PINS(3,5,6)TO(J3,J6)=1500VAC FOR 60 SECONDS

5.INSERTION LOSS:

-1.0dB MAXIMUM AT 0.1MHz TO 100MHz;

6.RETURN LOSS:

-20dB MINIMUM AT 1MHz TO 30MHz;

-15dB MINIMUM AT 30MHz TO 60MHz

-10dB MINIMUM AT 60MHz TO 80MHz

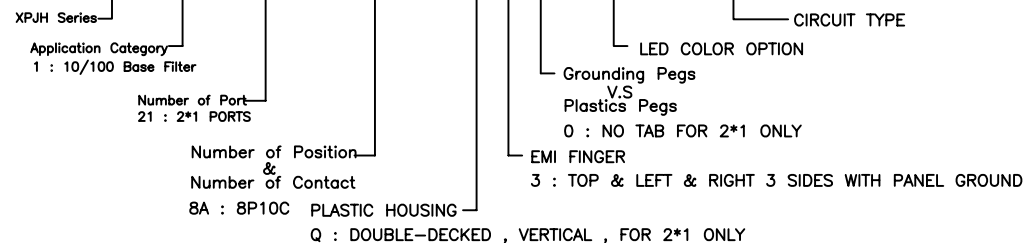
7.CROSS TALK:

-30dB MINIMUM AT 1MHz TO 100MHz

8.COMMON TO COMMON MODE REJECTION:

-30dB MINIMUM AT 1MHz TO 100MHz

XPJH-1-21-8A-Q30-4-PD22



X MULTIPLE			CONNECTING THE INFORMATION AGE
XMULTIPLE ASIA 4F, No. 347, Yang Guang St., Naihu Chiu, Taipei, Taiwan 11475		XMULTIPLE USA 1420 Los Angeles Ave., Suite G, Simi Valley, CA 93065	
THIS DRAWING IS A CONTROLLED DOCUMENT.			CUSTOMER/NO: DWG NO: XPJH-1-21-8A-Q30-4-PD22
TITLE: Stacked RJ45, W/LED, with 10/100 Mbps Filter ,8P,10C , Shielded, Thru Hole.			
PART NO: XPJH-1-21-8A-Q30-4-PD22		DRAWN: ANNIE	
		CHKD: JEFF	
		DIMENSIONS mm[inch ]	SHEET 2 of 2
		REV 01	DATE: 17/03/05