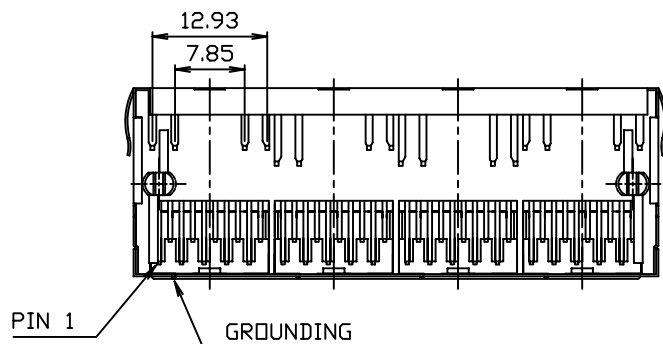
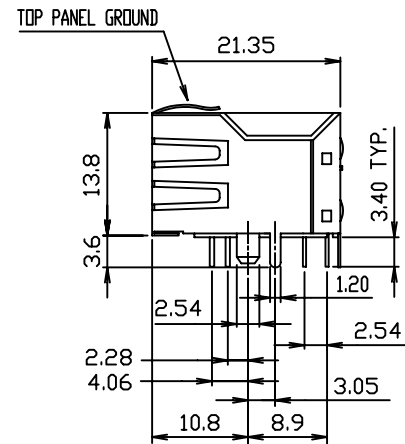
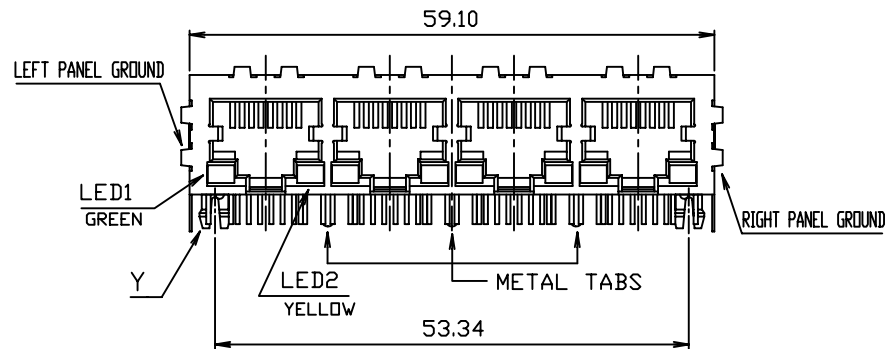
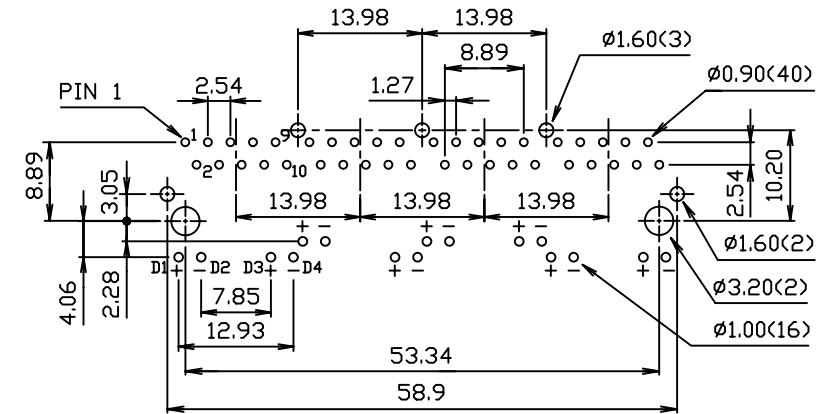
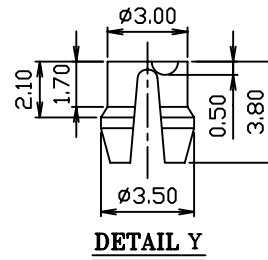
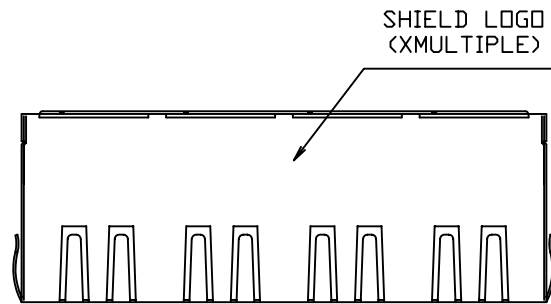


1. MECHANICAL DIMENSIONS :

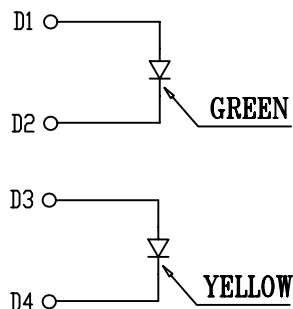
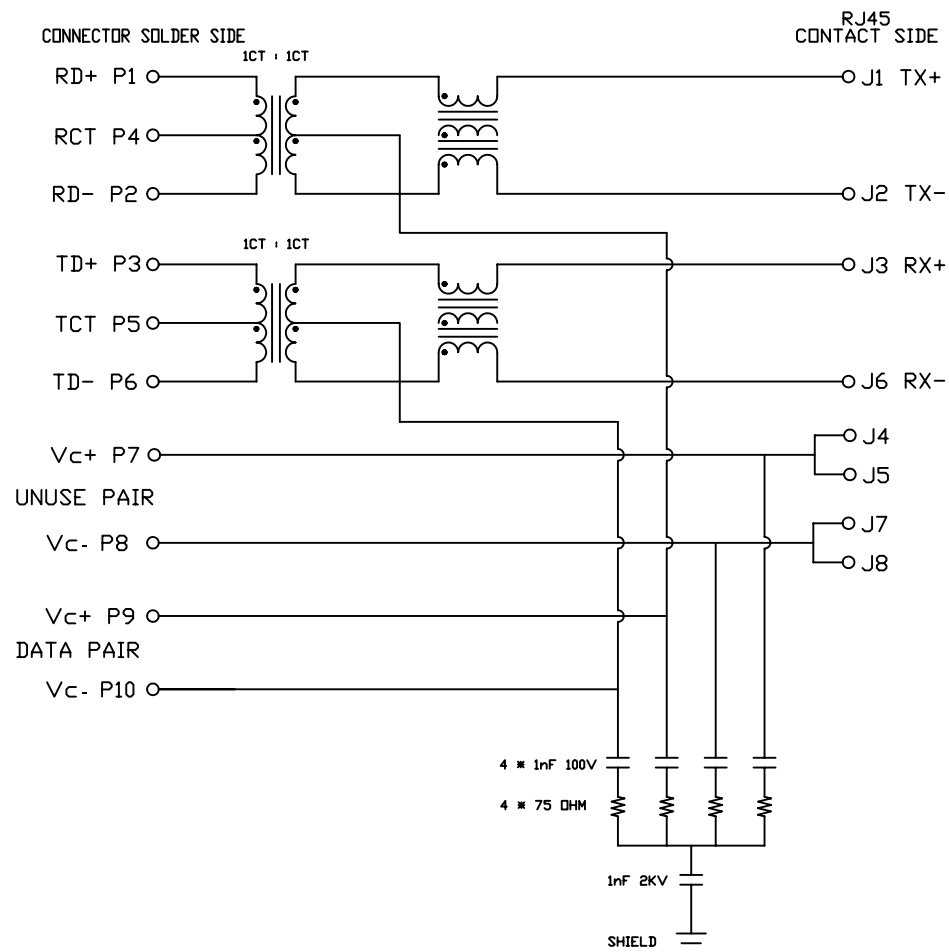


NOTE:

- MATERIALS:**
 HOUSING-PBT POLYESTER UL94V-0
 MIXED GLASS FIBER.
 STANDARD COLOR-BLACK.
 CONTACTS-0.35mm THICK PHOS-BRONZE PLATED WITH 30u' GOLD AND TIN IN SOLDER AREA.
 SHIELD-0.25mm THICK COPPER ALLOY, PLATED WITH NICKEL.
- CAVITY CONFORMS TO FCC RULES AND REGULATIONS PART 68,SUBPART F.**
- UNSPECIFIED TOLERANCE:** .XX ±0.25
 .X ±0.30

XMULTIPLE		CONNECTING THE INFORMATION AGE
XMULTIPLE ASIA 4F, No. 347, Yang Guang St., Neihu Chiu, Taipei, Taiwan 11475	XMULTIPLE USA 1420 Los Angeles Ave., Suite G, Simi Valley, CA 93065	CUSTOMER/NO:
THIS DRAWING IS A CONTROLLED DOCUMENT.		
TITLE: RJ45 Connectors, W/LED, 8P, 10C, Shielded/Thru Hole/10/100Mbps FILTER, For PoE		DWG NO: XPJG-1-04-8A-G34-4-PD23
PART NO: XPJG-1-04-8A-G34-4-PD23		DRAWN: TARA
		CHKD: JEFF
	DIMENSIONS mm[inch]	SHEET 1 of 2
		REV 01
		DATE: 13/06/05

2. SCHEMATIC:



XPJG-1-04-8A-G34-4-PD23

XPJG Series

Application Category: 1. 10/100 Base Filter

Number of Port: 04: 4 PORTS

NO of Position & Contact: 8A: 8P10C

CIRCUIT TYPE

LED COLOR OPTION

Grounding TAB Style: 4: Y=3.05mm

EMI FINGER STYLE: 3: TOP & LEFT & RIGHT, 3 SIDES WITH PANEL GROUND.

PLASTIC HOUSING: G: 21.6 W/LED, Tab Down

3. ELECTRICAL CHARACTERISTICS :

TEST NOTES:(25±5°C)

1.TR:(100KHz,0.1V);

PINS:(1-2):(J1-J2)=1:1±3%

PINS:(3-6):(J3-J6)=1:1±3%

2.LX:(100KHz,100mV,8mA, DC Bias)

PINS:(1,2),(3,6)=350uH MINIMUM

3.DCR:

PINS:(1-2),(J1-J2),(J3-J6)= 1.0 OHMS MAXIMUM

PINS:(3-6)=1.2 OHMS MAXIMUM

4.HIPOT:

PINS(1,4,2)TO(J1,J2)=1500VAC FOR 60 SECONDS

PINS(3,5,6)TO(J3,J6)=1500VAC FOR 60 SECONDS

5.INSERTION LOSS:

-1.0dB MAXIMUM AT 0.1MHz TO 100MHz;

6.RETURN LOSS:

-20dB MINIMUM AT 1MHz TO 30MHz;

-15dB MINIMUM AT 30MHz TO 60MHz

-10dB MINIMUM AT 60MHz TO 80MHz

7.CROSS TALK:

-30dB MINIMUM AT 1MHz TO 100MHz

8.COMMON TO COMMON MODE REJECTION:

-30dB MINIMUM AT 1MHz TO 100MHz

X MULTIPLE		CONNECTING THE INFORMATION AGE	
X MULTIPLE ASIA 4F, No. 347, Yang Guang St., Neihu Chiu, Taipei, Taiwan 11475		X MULTIPLE USA 1420 Los Angeles Ave, Suite G, Simi Valley, CA 93065	
CUSTOMER/NO:		DWG NO:	
THIS DRAWING IS A CONTROLLED DOCUMENT.		XPJG-1-04-8A-G34-4-PD23	
TITLE: RJ45 Connectors, W/LED, 8P, 10C, Shielded/Thru Hole/10/100Mbps FILTER, For PoE		DRAWN: TARA	
PART NO: XPJG-1-04-8A-G34-4-PD23		CHKD: JEFF	
		DIMENSIONS mm[inch]	SHEET 2 of 2
		REV 01	DATE: 13/06/05