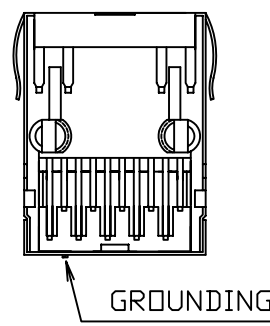
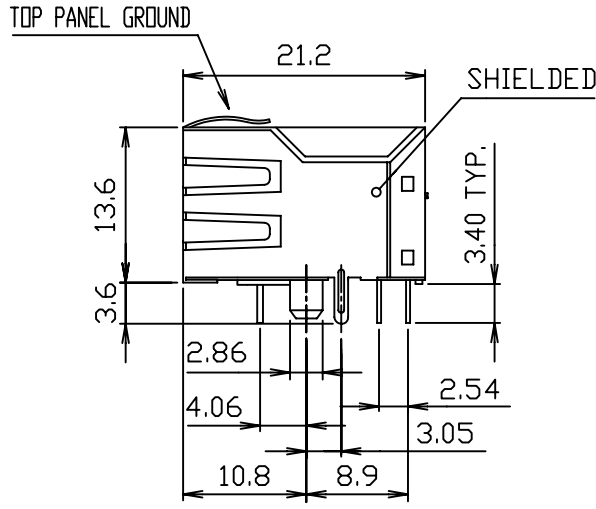
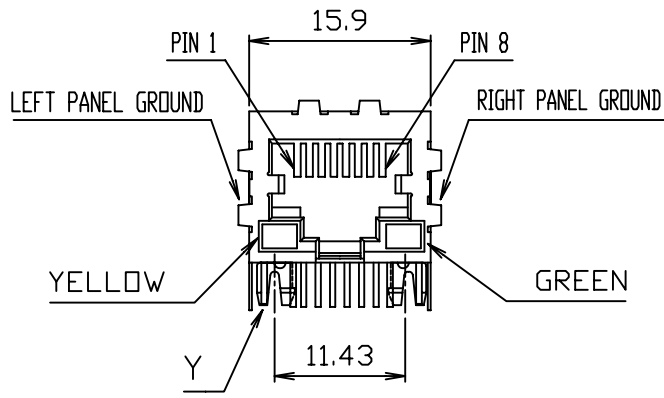
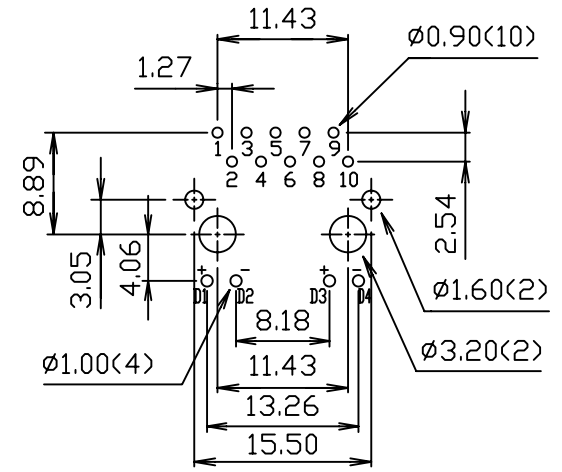
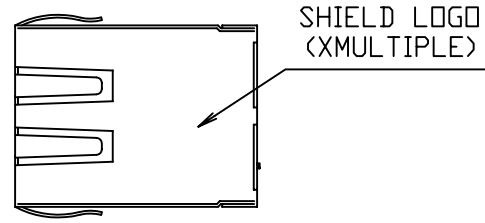
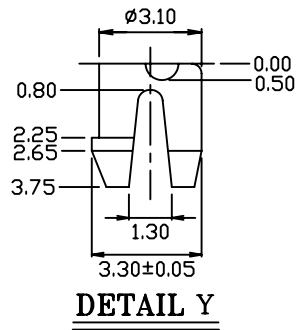


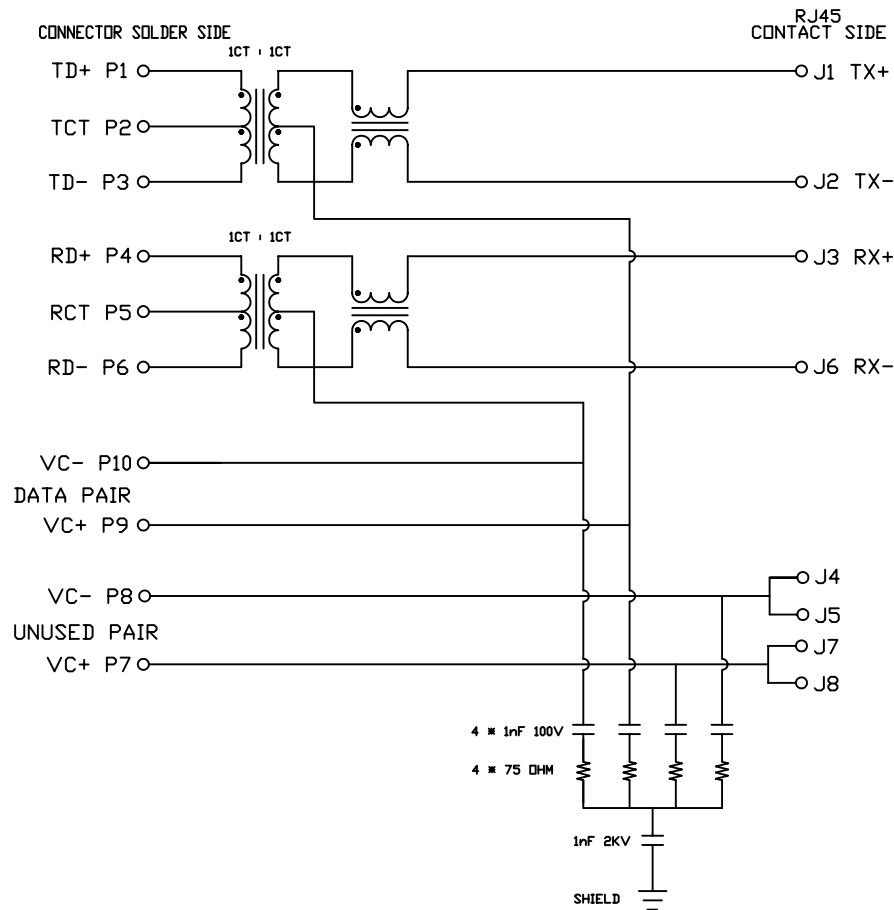
1. MECHANICAL DIMENSIONS :



- NOTES:
- MATERIALS:
HOUSING-PBT POLYESTER UL94V-0
MIXED GLASS FIBER
STANDARD COLOR-BLACK
CONTACTS-0.35mm THICK PHOS-BRONZE
WITH 30u" GOLD AND TIN
PLATED IN SOLDER AREA.
SHIELD-0.25mm THICK COPPER ALLOY,
PLATED WITH NICKEL.
 - CAVITY CONFIRMS TO FCC RULES AND REGULATIONS
PART 68,SUBPART F.
 - UNSPECIFIED TOLERANCE: .XX ±0.25[0.010]
.X ±0.30[0.012]

| | | |
|---|--|--|
| X MULTIPLE | | CONNECTING THE INFORMATION AGE |
| XMULTIPLE ASIA 4F, No. 347, Yang Guang St., Neihu City, Taipei, Taiwan 11475. | | XMULTIPLE USA 1402 Los Angeles Ave., Suite G, Sunny Valley, CA 93065 |
| THIS DRAWING IS A CONTROLLED DOCUMENT. | | CUSTOMER/NO: |
| TITLE: SINGLE PORT, RJ45, SHIELDED, W/LED, W/TRANSFORMER, SIDE ENTRY PCB JACK, FOR PoE | | DWG NO: XPJG-1-01-8A-G31-1-PD31 |
| PART NO: XPJG-1-01-8A-G31-1-PD31 | | DRAWN: TARA |
| | | CHKD: JEFF |
| DIMENSIONS | | DATE: 03/06/05 |
| mm[inch] | | |
| SHEET | | |
| 1 of 2 | | |
| REV | | |
| 01 | | |

2. SCHEMATIC:



XPJG-1-01-8A-G31-1-PD31

XPJG Series

Application Category
1: 10/100 Base Filter

Number of Port
01: 1 PORTS

NO of Position & Contact
8A: 8P10C

PLASTIC HOUSING
G: 21.6 W/LED, Horizontal (+, -)

LED COLOR OPTION

Grounding Pegs Style

1: Y=3.05mm



EMI FINGER STYLE

3: TOP & LEFT & RIGHT 3 SIDES WITH PANEL GROUND.

CIRCUIT TYPE

3. ELECTRICAL CHARACTERISTICS :

TEST NOTES:($25 \pm 5^\circ\text{C}$)

1.TR:(100KHz,0.1V);

PINS:(1-3):(J1-J2)= $1:1 \pm 3\%$

PINS:(4-6):(J3-J6)= $1:1 \pm 3\%$

2.LX:(100KHz,100mV,8mA, DC Bias)

PINS:(1,3),(4,6)=350uH MINIMUM

3.DCR:

PINS:(1-3),(J1-J2),(J3-J6)= 1.0 OHMS MAXIMUM

PINS:(4-6)=1.2 OHMS MAXIMUM

4.HIPOT:

PINS(1,2,3)TO(J1,J2)=1500VAC FOR 60 SECONDS

PINS(4,5,6)TO(J3,J6)=1500VAC FOR 60 SECONDS

5.INSERTION LOSS:

-1.0dB MAXIMUM AT 0.1MHz TO 100MHz;

6.RETURN LOSS:

-20dB MINIMUM AT 1MHz TO 30MHz;

-15dB MINIMUM AT 30MHz TO 60MHz

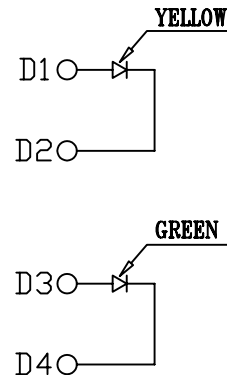
-10dB MINIMUM AT 60MHz TO 80MHz

7.CROSS TALK:

-30dB MINIMUM AT 1MHz TO 100MHz

8.COMMON TO COMMON MODE REJECTION:

-30dB MINIMUM AT 1MHz TO 100MHz



| X MULTIPLE | | | CONNECTING THE INFORMATION AGE |
|---|--|--|--------------------------------|
| X MULTIPLE ASIA 4F, No. 347, Yang Guang St., Neihu Chiu, Taipei, Taiwan 11475. | | X MULTIPLE USA 1402 Los Angeles Ave., Suite G, Simi Valley, CA 93065 | |
| CUSTOMER/NO: | | DWG NO: | |
| THIS DRAWING IS A CONTROLLED DOCUMENT. | | XPJG-1-01-8A-G31-1-PD31 | |
| TITLE: SINGLE PORT, RJ45, SHIELDED, W/LED, W/TRANSFORMER, SIDE ENTRY PCB JACK, FOR PoE | | DRAWN: TARA | |
| PART NO: XPJG-1-01-8A-G31-1-PD31 | | CHKD: JEFF | |
| DIMENSIONS mm[inch] | | SHEET 2 of 2 | REV 01 |
| DATE: 03/06/05 | | | |