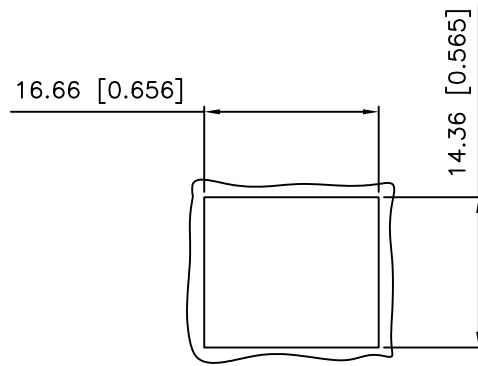
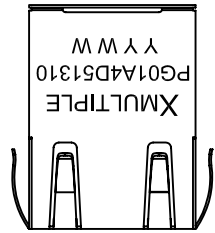
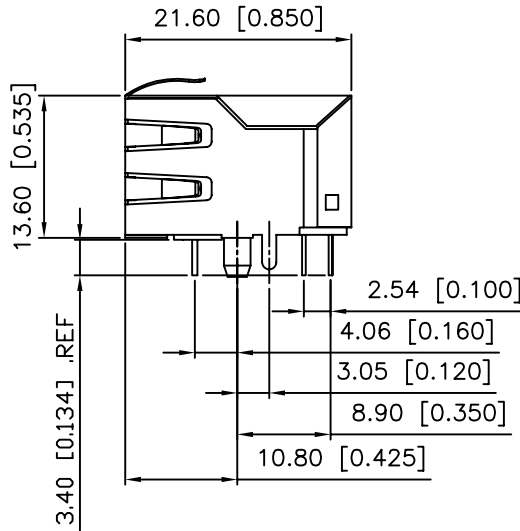
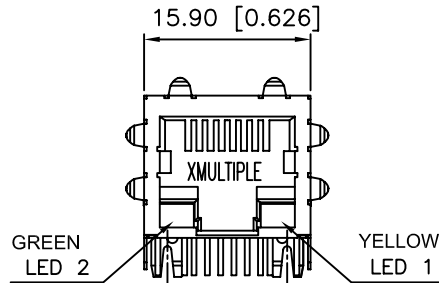


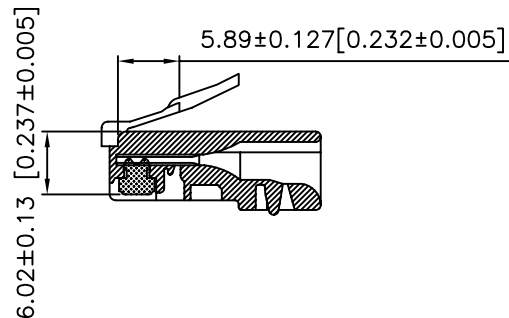
1. MECHANICAL DIMENSIONS :



RECOMMENDED
PANEL CUTOUT DIMENSION



RECOMMENED PLUG DIMENSION:



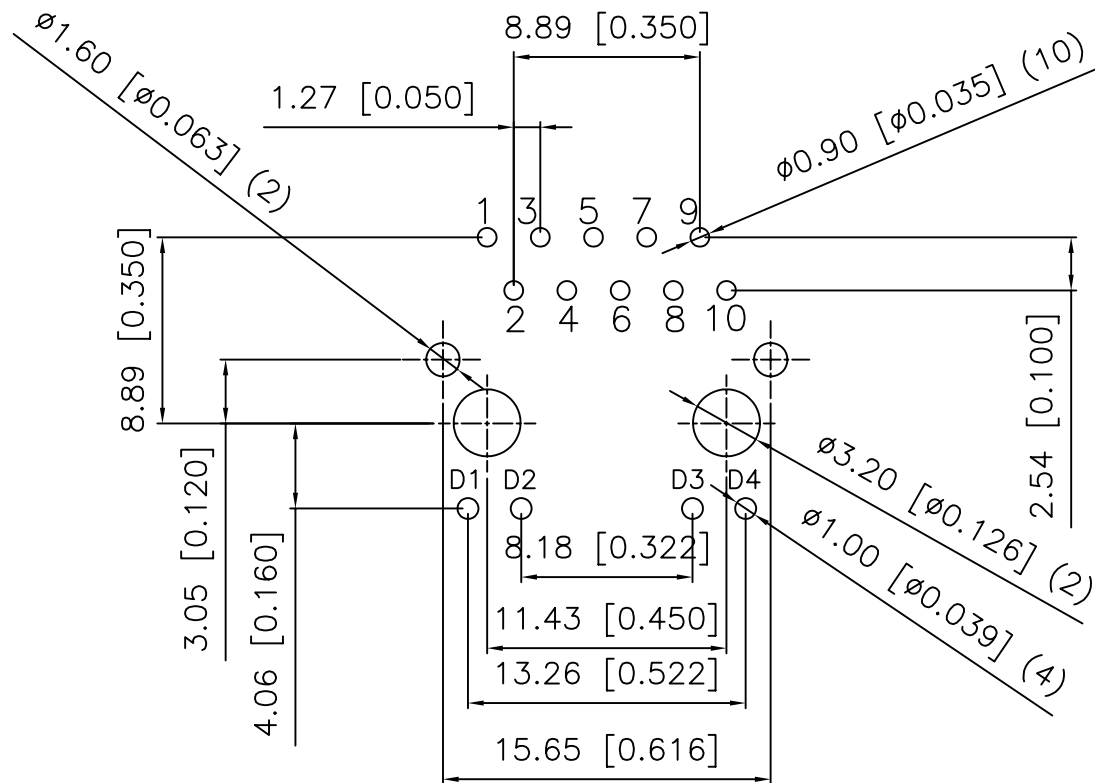
NOTES:

1. MATERIALS:
HOUSING—NYLON POLYESTER UL94V-0
MIXED GLASS FIBER.
STANDARD COLOR—BLACK.
CONTACTS—0.35mm THICK PHOS—BRONZE PLATED
WITH 30u" GOLD AND TIN
IN SOLDER AREA.
SHIELD—0.25mm THICK COPPER ALLOY,
PLATED WITH NICKEL.
2. CAVITY CONFIRMS TO FCC RULES AND REGULATIONS
PART 68,SUBPART F.
3. UNSPECIFIED TOLERANCE: .XX ±0.25[0.010]
.X ±0.30[0.012]

RoHS Compliant

XMULTIPLE		CONNECTING THE INFORMATION AGE	
XMULTIPLE ASIA 4F, No. 347,Yang Guang St., Neihu Chiu , Taipei , Taiwan 11475		XMULTIPLE USA 1420 Los Angeles Ave., Suite G, Simi Valley, CA 93065	
THIS DRAWING IS A CONTROLLED DOCUMENT.		G/NO:	
TITLE: RJ45 Connectors, W/LED, 8P, 10C, Shielded/Thru Hole/10/100 Mbps FILTER For PoE		DWG NO: XPJG-01A-4-D51-310	
PART NO: XPJG-01A-4-D51-310		DRAWN: RUNES	
		CHKD: JEFF	
		DATE: May.11.06	
UNIT mm[inch]	SHEET 1 of 3	REV A	

2. PCB LAYOUT :



SUGGESTED PCB LAYOUT
(TOP VIEW)

3. LED CONFIGURATION :

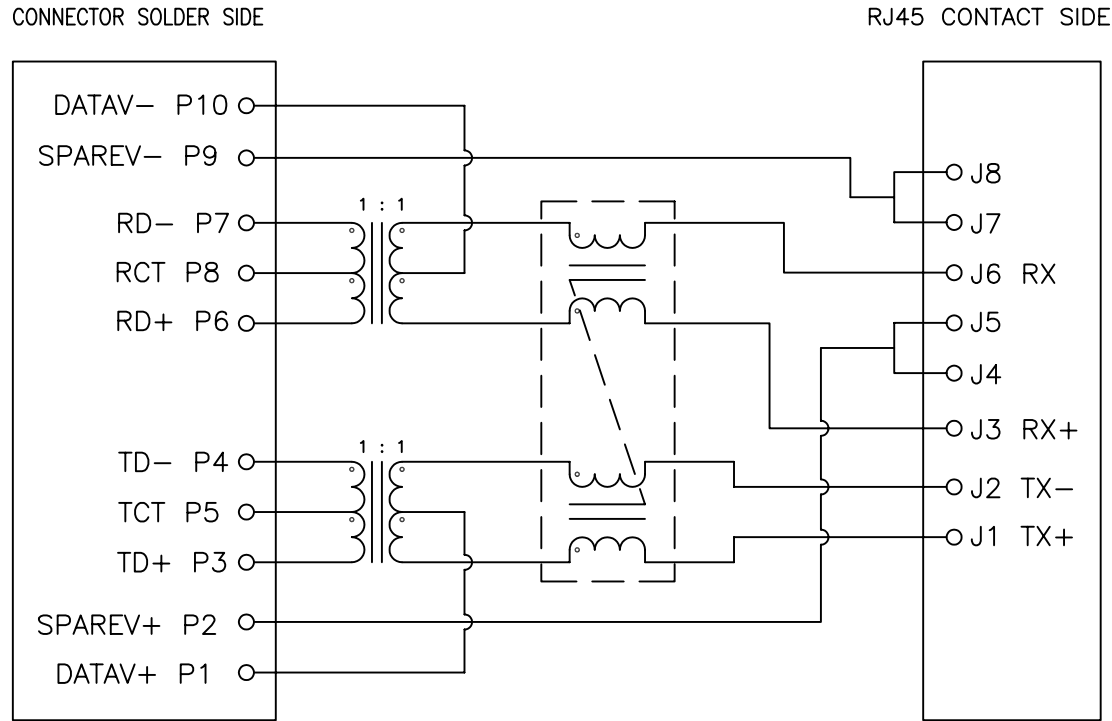


Color	Lens Color	Vf(v) @20mA		Iv(mcd) @10mA		Viewing angle 2θ 1/2
		Min	Max	Min	Typ	
Yellow	Yellow Diffused	1.7	2.8	3.0	6.0	116
Green	Green Diffused	1.7	2.8	3.5	6.0	116

RoHS Compliant

XMULTIPLE		CONNECTING THE INFORMATION AGE	
XMULTIPLE ASIA 4F, No. 347, Yang Guang St., Neihu Chiu, Taipei, Taiwan 11475		XMULTIPLE USA 1420 Los Angeles Ave., Suite G, Simi Valley, CA 93065	
THIS DRAWING IS A CONTROLLED DOCUMENT.		G/NO:	
TITLE: RJ45 Connectors, W/LED, 8P, 10C, Shielded/Thru Hole/10/100 Mbps FILTER For PoE		DWG NO: XPJG-01A-4-D51-310	
PART NO: XPJG-01A-4-D51-310		DRAWN: RUNES	
		UNIT	SHEET
		mm[inch]	2 of 3
		REV	DATE:
		A	May.11.06

4. SCHEMATIC:



5. ELECTRICAL CHARACTERISTICS :

TEST NOTES:(25±5°C)

1.TR:(100KHz,0.1V);

PINS:(P3-P4):(J1-J2)=1:1±3%

PINS:(P6-P7):(J3-J6)=1:1±3%

2.LX:(100KHz,100mV,8mA, DC Bias)

PINS:(P3,P4),(P6,P7)=350uH MINIMUM

3.DCR:

PINS:(P3-P4),(J1-J2),(J3-J6)= 1.0 OHMS MAXIMUM

PINS:(P6-P7)=1.2 OHMS MAXIMUM

4.HIPOT:

PINS(P3,P5,P4)TO(J1,J2)=1500VAC FOR 60 SECONDS

PINS(P6,P8,P7)TO(J3,J6)=1500VAC FOR 60 SECONDS

5.INSERTION LOSS:

-1.0dB MAXIMUM AT 0.3MHz TO 100MHz;

6.RETURN LOSS:

-20dB MINIMUM AT 1MHz TO 30MHz;

-15dB MINIMUM AT 30MHz TO 60MHz

-10dB MINIMUM AT 60MHz TO 80MHz

7.CROSS TALK:

-30dB MINIMUM AT 1MHz TO 100MHz

8.COMMON TO COMMON MODE REJECTION:

-30dB MINIMUM AT 1MHz TO 100MHz

XPJG-01A-4-D51-310

PRODUCT SERIES

XPJG : TAB DOWN WITH LED FOR PoE TRANSFORMER

NUMBER OF PORTS MECHANICAL TYPE

01A : 1 PORT FOR XRJF OR XRJG W/HORIZONTAL LED PIN

LED COLOR OPTION

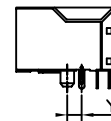
PROTOCOL TYPE
D : 10/100 Mbps, 4 CORE

SPECIAL CODE
0 : STANDARD

SHIELDED TYPE
1 : Y=3.05mm, EMI FINGER ON ALL SIDE

LED POLARITY
3 : -+, -+

CIRCUIT TYPE



RoHS Compliant

XMULTIPLE		CONNECTING THE INFORMATION AGE	
XMULTIPLE ASIA 4F, No. 347, Yang Guang St., Neihu Chiu, Taipei, Taiwan 11475		XMULTIPLE USA 1420 Los Angeles Ave., Suite G, Simi Valley, CA 93065	
THIS DRAWING IS A CONTROLLED DOCUMENT.		G/NO:	
TITLE: RJ45 Connectors, W/LED, 8P, 10C, Shielded/Thru Hole/10/100 Mbps FILTER For PoE		DWG NO: XPJG-01A-4-D51-310	
PART NO: XPJG-01A-4-D51-310		DRAWN: RUNES	
		CHKD: JEFF	
		DATE: May.11,06	
	UNIT	SHEET	REV
mm[inch]	3 of 3	A	