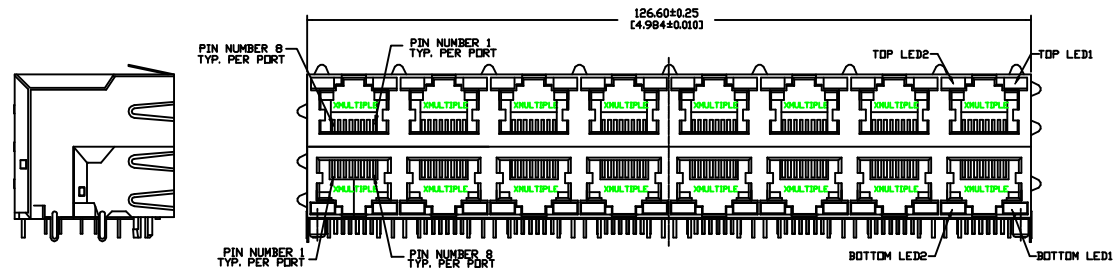
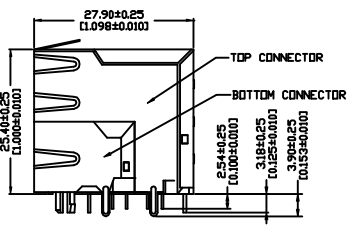


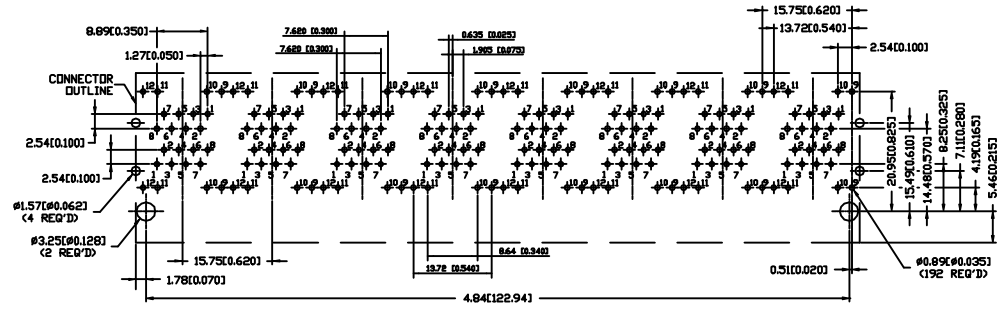
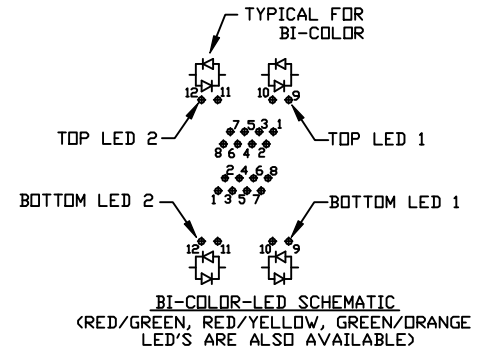
| REVISIONS | | | | | |
|-----------|------|-----|-------------------|----------|----------|
| ECO | ZONE | REV | DESCRIPTION | DATE | APPROVED |
| | | J1 | REVISED RELEASE | 07/31/01 | Chen |
| | | J4 | VERIFIED ALL DIM. | 06/19/03 | Emrich |



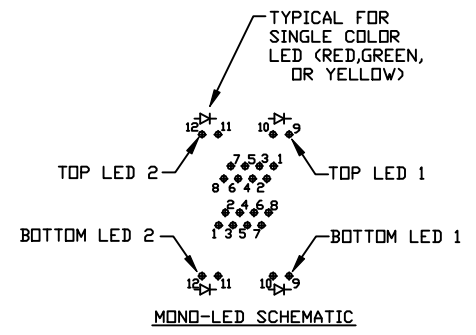
FRONT VIEW



SIDE VIEW



SUGGESTED PCB LAYOUT
(COMPONENT SIDE)



- MATERIALS:
HOUSING: HIGH TEMP. THERMOPLASTIC, BLACK, UL 94V-0
CONTACTS: 0.014 INCHES (0.35 MILLIMETERS) THICK PHOSPHOR BRONZE PLATED WITH 150 MICROINCHES (3.81 MICROMETERS) MINIMUM THICK TIN LEAD IN SOLDER AREA.
15 MICROINCHES (0.38 MICROMETERS) MINIMUM GOLD IN LOCALIZED PLATE AREA.
ENTIRE CONTACTS PLATED WITH 50 MICROINCHES (1.27 MICROMETERS) MINIMUM THICK NICKEL.
SHIELDED: 0.0098 INCHES (0.25 MILLIMETERS) THICK COPPER ZINC ALLOY PLATED WITH 30 MICROINCHES (0.762 MICROMETERS) MINIMUM THICK NICKEL.
- JACK CAVITY CONFORMS TO FCC RULES AND REGULATIONS PART 68, SUBPART F
- PART NUMBER: XRJD-S-28-8-8-X

NOTES: UNLESS OTHERWISE SPECIFIED
UNSPECIFIED TOLERANCE: .X(±0.010)(0.25)
.X±0.006(0.15)

REFER TO LED OPTIONS TABLE FOR ORDERING CODES

| | | |
|--|--|--------------------------------|
| XMULTIPLE | | CONNECTING THE INFORMATION AGE |
| XMULTIPLE ASIA 31P-1, 1/F, 7/F, P.O. Box 11, Road 7, Telok Ayer St., S.S. | XMULTIPLE USA 3586 Old Cottage Road Newbury Park, CA 91380 | REV: _____ |
| THIS DRAWING IS A CONTROLLED DOCUMENT. | | |
| TITLE: Stacked RJ45, Connectors, V/LED, 8P, 8C, Shielded, Thru Hole, 2 Piece Structure | | DRG NO: PDD24-RJ021 |
| PART NO: XRJD-S-28-8-8-X | | DIV: VIQ |
| | | DR: C.TSAI |
| DIMENSIONS | SHEET | REV |
| [mm]Inch | 1 of 1 | J4 |
| | | DATE: 07/31/01 |