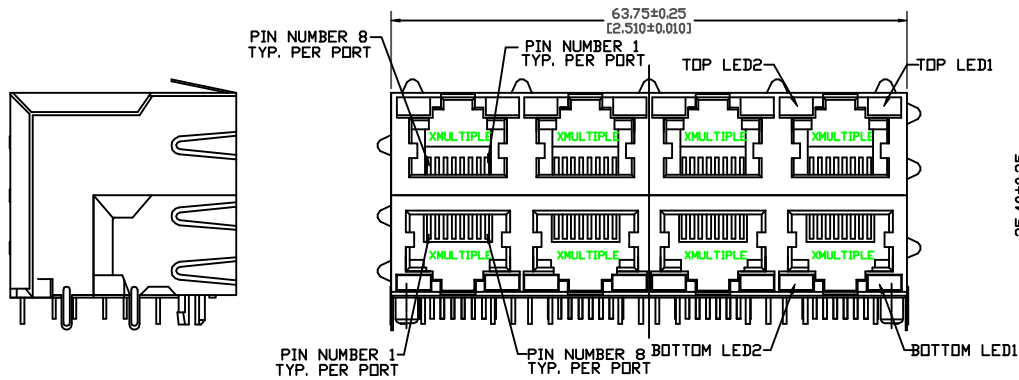
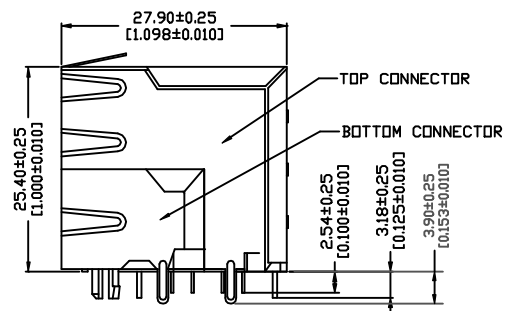


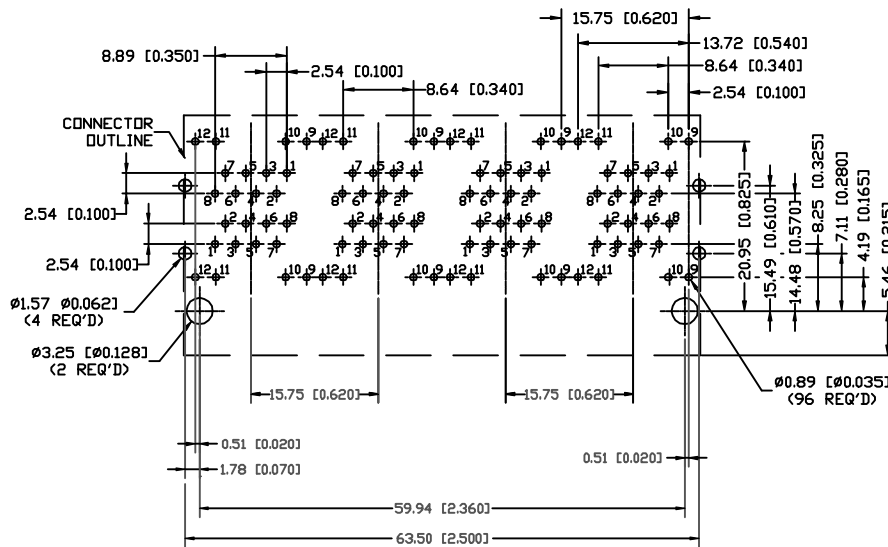
REVISIONS					
ECO	ZONE	REV	DESCRIPTION	DATE	APPROVED
		J1	REVISED RELEASE	07/31/01	Chen



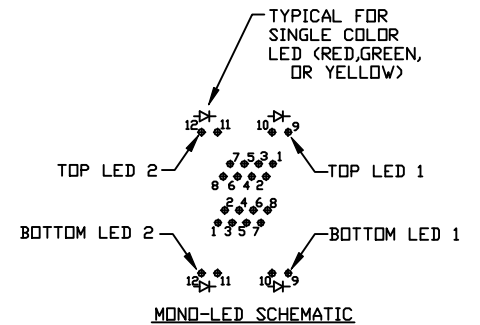
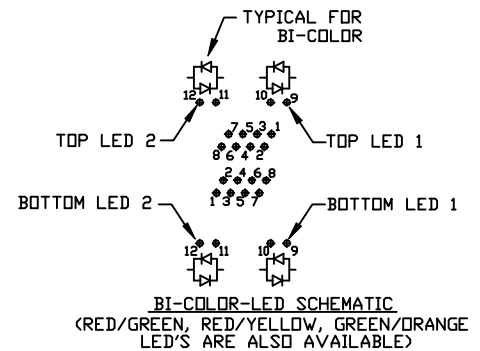
FRONT VIEW



SIDE VIEW



SUGGESTED PCB LAYOUT
(COMPONENT SIDE)



1. MATERIALS:
HOUSING HIGH TEMP. THERMOPLASTIC, BLACK, UL 94V-0
CONTACTS: 0.014 INCHES (0.35 MILLIMETERS) THICK PHOSPHOR BRONZE PLATED WITH 150 MICRONS (3.81 MICROMETERS) MINIMUM THICK TIN LEAD IN SOLDER AREA. 15 MICRONS (0.38 MICROMETERS) MINIMUM GOLD IN LOCALIZED PLATE AREA. ENTIRE CONTACTS PLATED WITH 50 MICRONS (1.27 MICROMETERS) MINIMUM THICK NICKEL. SHIELDED: 0.0098 INCHES (0.25 MILLIMETERS) THICK COPPER ZINC ALLOY PLATED WITH 30 MICRONS (0.762 MICROMETERS) MINIMUM THICK NICKEL.

2. JACK CAVITY CONFORMS TO FCC RULES AND REGULATIONS PART 68, SUBPART F

3. PART NUMBER: XRJD-S-24-8-8-X

REFER TO LED OPTIONS TABLE FOR ORDERING CODES

NOTES: UNLESS OTHERWISE SPECIFIED
UNSPECIFIED TOLERANCE: .XX±0.01[0.25]
.X±0.006[0.15]

XMULTIPLE		CONNECTING THE INFORMATION AGE
<p>XMULTIPLE AREA 117-1, 1st, 9th, Pe-Hsing N. Road Taippei, Taiwan, R.O.C.</p>	<p>XMULTIPLE USA 5808 Old Converse Road Newbury Park, CA 91380</p>	<p>ENG: DWG NO: PART NO: DRAWN: CHKD: DATE:</p>
<p>THIS DRAWING IS A CONTROLLED DOCUMENT.</p>		
<p>TITLE: Stacked RJ45, Connectors, w/LED, BP, 8C, Shielded, Thru Hole, 2 Piece Structure</p>		
<p>PART NO: XRJD-S-24-8-8-X</p>		
	<p>DIMENSIONS [mm]inch</p>	<p>SHEET 1 of 1</p>
	<p>REV J1</p>	<p>ENG: C. TSAI</p>
		<p>DATE: 07/31/01</p>