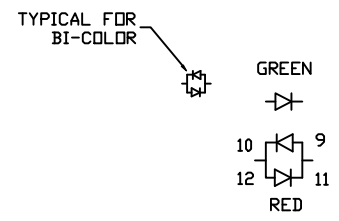
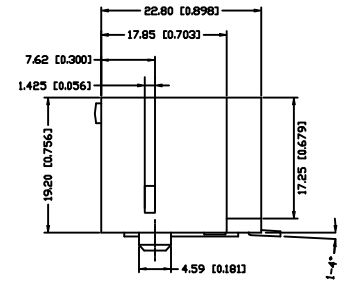
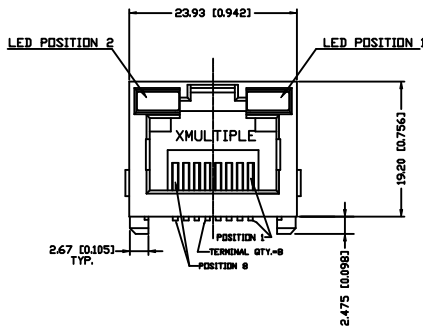
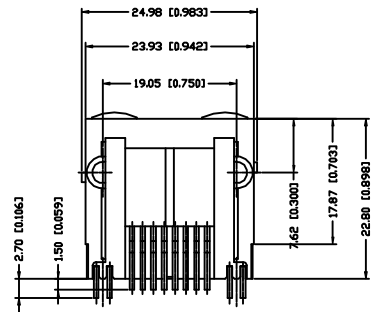
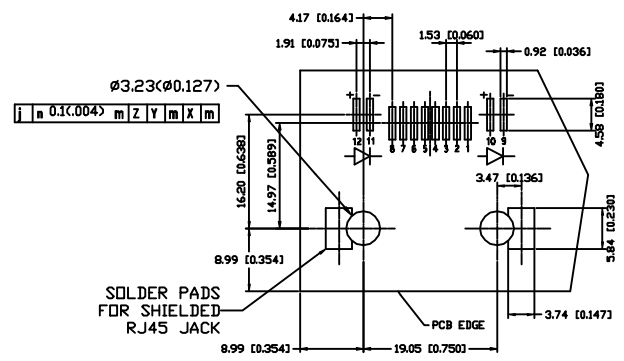


REVISIONS					
ECO	ZONE	REV	DESCRIPTION	DATE	APPROVED
		A	INITIAL RELEASE	07/31/01	Chen



BI-COLOR LED DETAIL
(RED, RED/YELLOW, GREEN/ORANGE LED'S ARE ALSO AVAILABLE)



SUGGESTED PCB LAYOUT
(COMPONENT SIDE)

LED Color Options Table

Position 2(Left)	Position 1(Right)	LED DASH OPTION
No LED	No LED	0
Yellow	Green	1
No LED	Green	2
Yellow	No LED	3
Green	Yellow	4
Green	Green	5
Yellow	Yellow	6
Orange/Green	Orange/Green	7
Yellow/Green	Yellow/Green	8
Orange/Green	Yellow	9

MATERIALS:
 • HOUSING-EMS GRIVDRY XE 3818 (NYLON-6T)
 HEAT DEFLECTION TEMP.285°C
 BLACK COLOR,UL94V-0
 • CONTACTS-0.35mm THICK PHOS-BRONZE PLATED
 WITH HARD GOLD AND TIN/LEAD IN
 SOLDER AREA.

ELECTRICAL:
 CONTACT RESISTANCE: 20 MILLIOHMS MAXIMUM
 INSULATION RESISTANCE: 500 MEGOHMS MINIMUM
 CURRENT RATING: 1.5 AMPS
 VOLTAGE RATING: 150 VOLTS AC
 LED CHARACTERISTICS:
 FORWARD DC CURRENT: 25 ~ 30mA
 FORWARD VOLTAGE: 2.2 VOLTS TYPICAL
 REVERSE VOLTAGE: 5 VOLTS
 POWER DISSIPATION: GRN.=105mW; YELL.= 105 mW

NOTES: UNLESS OTHERWISE SPECIFIED
 UNSPECIFIED TOLERANCE: .XX ± 0.010[0.25]
 .x ± 0.006[0.15]

CAVITY CONFORMS TO FCC RULES AND REGULATIONS PART 68, SUBPART F

XMULTIPLE CONNECTING THE INFORMATION AGE

XMULTIPLE ASIA: 11F-14th, 70, Fu-Hsing N. Road, Taipei, Taiwan, R.O.C.
 XMULTIPLE USA: 3840 Old County Road, Newbury Park, CA 91380

THIS DRAWING IS A CONTROLLED DOCUMENT.
 FILE NO: PDD524-XR021

TITLE: RJ45, Connectors, V/LED,BP,BC,Unshielded SMT Ty;
 REV: VVQ

PART NO: XRJS-U-01-8-8-X
 CDR: C. TSAI

DIMENSIONS	SHEET	REV	DATE
[mm]inch	1 of 1	E1	07/31/01