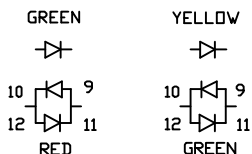
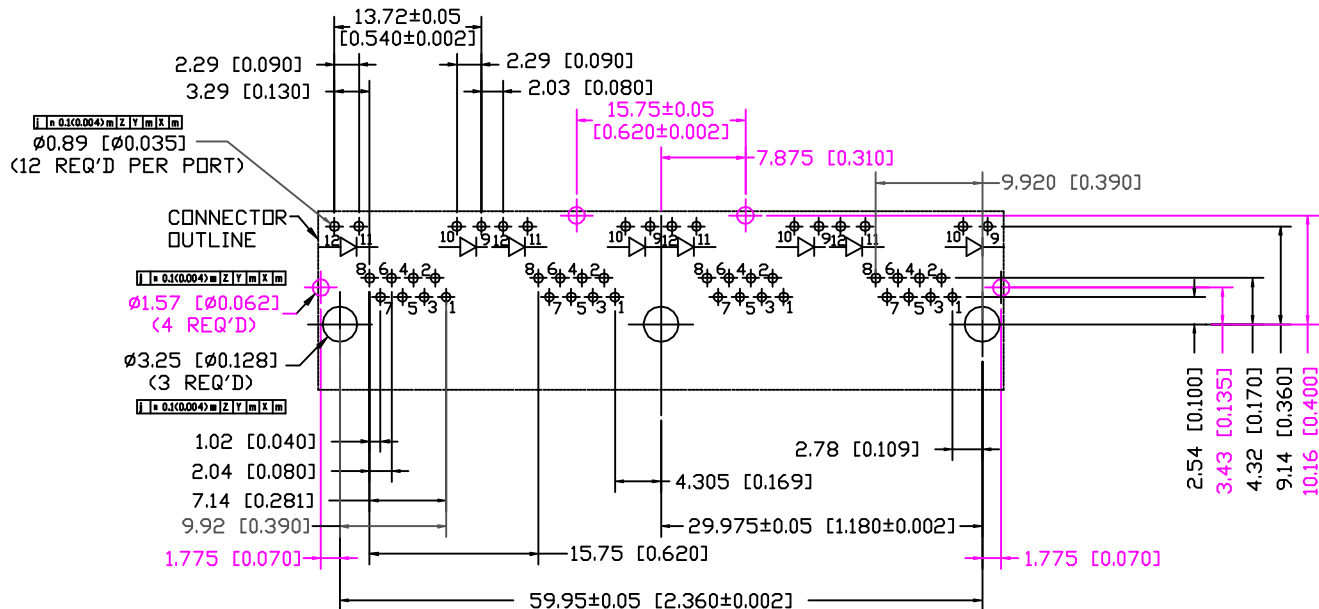
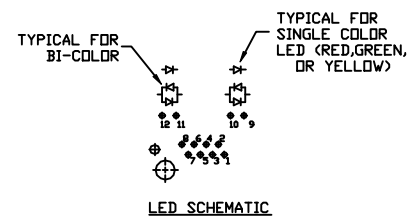


PIN NUMBER 8
TYP. PER PORT

PIN NUMBER 1
TYP. PER PORT



BI-COLOR LED DETAIL
(RED, RED/YELLOW, GREEN/DRANGE LED'S ARE ALSO AVAILABLE)

**SUGGESTED PCB LAYOUT
(COMPONENT SIDE)**

**PCB LAYOUT
TOLERANCE
.XX±0.05[0.002]**

1. MATERIALS:

HOUSING: HIGH TEMP. THERMOPLASTIC, BLACK, UL 94V-0
 CONTACTS: 0.014 INCHES (0.35 MILLIMETERS) THICK PHOSPHOR BRONZE PLATED WITH
 150 MICRONS (3.81 MICROMETERS) MINIMUM THICK TIN LEAD IN SOLDER AREA.
 15 MICRONS (0.38 MICROMETERS) MINIMUM GOLD IN LOCALIZED PLATE AREA.
 ENTIRE CONTACTS PLATED WITH 50 MICRONS (1.27 MICROMETERS) MINIMUM THICK NICKEL.
 SHIELDED: 0.0098 INCHES (0.25 MILLIMETERS) THICK COPPER ZINC ALLOY PLATED WITH
 30 MICRONS (0.762 MICROMETERS) MINIMUM THICK NICKEL.

2. JACK CAVITY CONFORMS TO FCC RULES AND REGULATIONS PART 68, SUBPART F

3. PART NUMBER: XRJ-S-01-8-8-X-F2

REFER TO LED OPTIONS TABLE FOR ORDERING CODES

NOTES:

UNLESS OTHERWISE SPECIFIED
 UNSPECIFIED TOLERANCE: .XX±0.010[0.25]
 .X±0.006[0.15]

XMULTIPLE		CONNECTING THE INFORMATION AGE
XMULTIPLE ASIA 5/F, No. 60, Jilong St., Taipei, 10468, Taiwan.	XMULTIPLE USA 3858 Old Connel Road Newbury Park, CA 91380	REV:
THIS DRAWING IS A CONTROLLED DOCUMENT.		DATE: 07/12/01
TITLE: RJ45, Connectors, V/LED, 8P, 8C, Shielded, Thru-Hole		DRAWN: VIQ
PART NO: XRJM-S-04-8-8-X-F2	SHEET: 1 of 1	REV: J
DRG. NO: C.TSAI	DATE: 07/12/01	