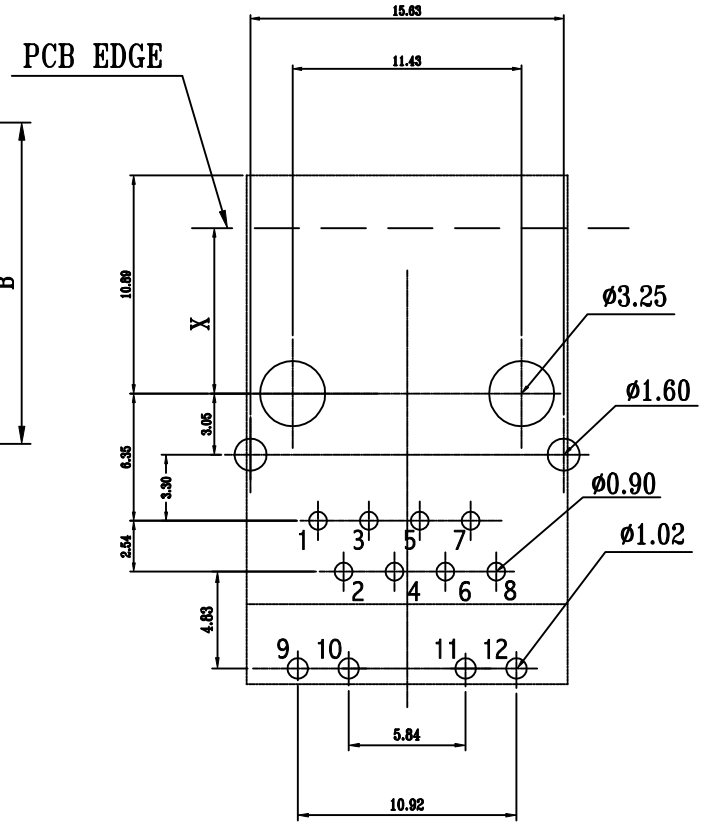
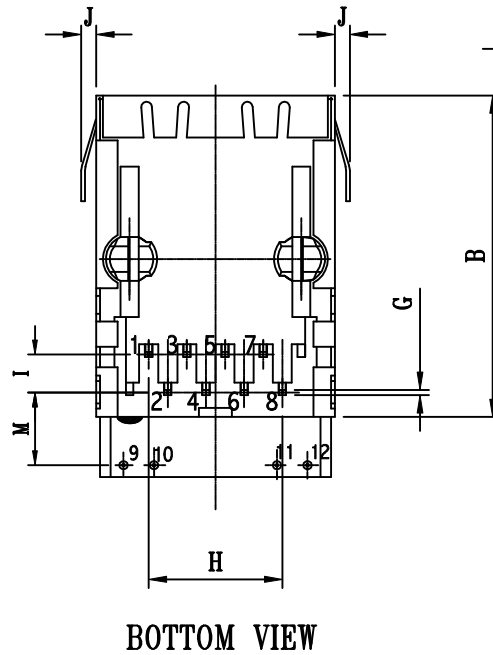
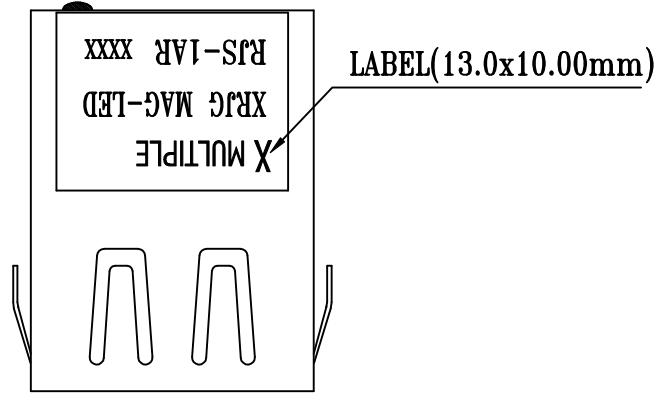
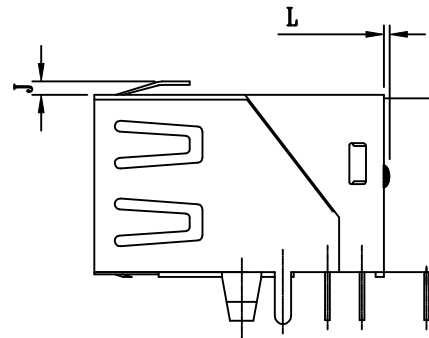
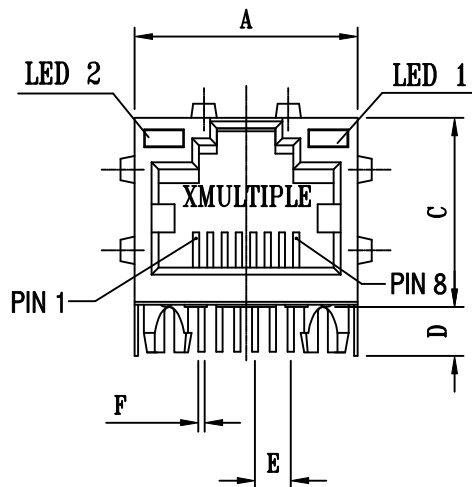


1. MECHANICAL DIMENSIONS :



RECOMMENDED P.C.B LAYOUT:
(SOLDER SIDE)



UNIT : mm / inch

- A = 15.88±0.254 / 0.625±0.010
 - B = 21.60±0.254 / 0.850±0.010
 - C = 13.45±0.254 / 0.530±0.010
 - D = 3.50±0.254 / 0.138±0.010
 - E = 2.54 / 0.100 (TYP)
 - F = 0.50±0.127 / 0.020±0.005
 - G = 0.35±0.127 / 0.014±0.005
 - H = 8.89 / 0.350 (TYP)
 - I = 2.54 / 0.100 (TYP)
 - J = 1.00±0.18 / 0.039±0.007
 - L = 0.90 / 0.035 MAX
 - X = 0.65±0.254 / 0.255±0.010
- (PROPOSED PCB EDGE DIMENSION)

NOTES: UNLESS OTHERWISE SPECIFIED
UNSPECIFIED TOLERANCE: .XX ±0.25[0.010]
.X ±0.30[0.012]

XMULTIPLE		CONNECTING THE INFORMATION AGE	
<small>XMULTIPLE ASIA SIP, No. 60, Jalinan St., Tingkat 10/108 Teluk</small>	<small>XMULTIPLE USA 3856 Old Conroy Road Menlo Park, CA 94029</small>	<small>REV: 1A08T089R1</small>	<small>DWG NO: DARIS0731RJH</small>
THIS DRAWING IS A CONTROLLED DOCUMENT.			
<small>TITLE: RJ45, Connectors, w/LED, 8P, 8C, Shielded/Thru Hole/10/100Mbps/FILTER</small>			
<small>PART NO:</small>	<small>XRJH-11-01-8-8-X</small>	<small>DRAWN: VIQ</small>	<small>CHKD: C. TSAI</small>
	<small>DIMENSIONS</small>	<small>SHEET</small>	<small>REV</small>
	<small>MM/INCH</small>	<small>1 of 2</small>	<small>L</small>
		<small>DATE</small>	<small>07/31/01</small>