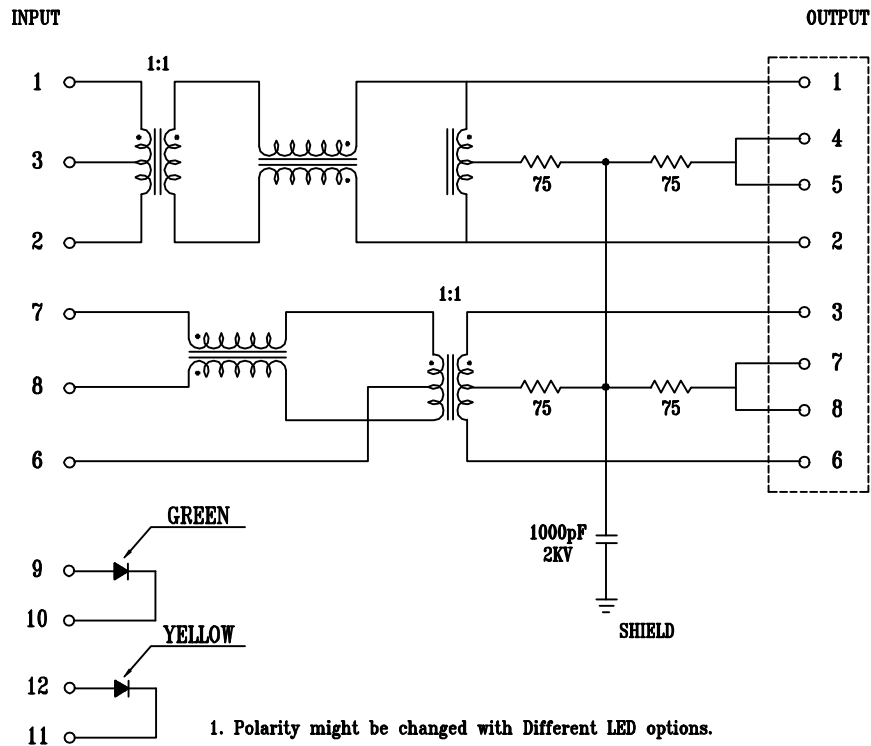
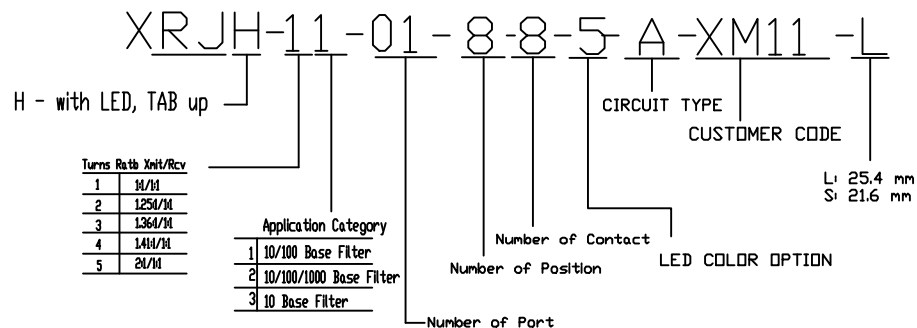


2. SCHEMATIC:



1. Polarity might be changed with Different LED options.
2. Consult our sales REP. for the polarity of Different LED options.



3. ELECTRICAL CHARACTERISTICS :

3-1. TRANSMITTER FILTER

TYPE: BALANCE LOW PASS 100 OHM IMPEDANCE NOM
 INSERTION LOSS: 1-100 MHZ -1.0dB MAX.
 RETURN LOSS: 1-30 MHZ -20dB MIN. LOAD 100 OHM
 30-60 MHZ -15dB MIN. LOAD 100 OHM
 60-80 MHZ -11dB MIN. LOAD 100 OHM

3-2. RECEIVER FILTER

TYPE: BALANCE LOW PASS 100 OHM IMPEDANCE NOM
 INSERTION LOSS: 1-100 MHZ -1.0dB MAX.
 RETURN LOSS: 1-30 MHZ -20dB MIN. LOAD 100 OHM
 30-60 MHZ -17dB MIN. LOAD 100 OHM
 60-80 MHZ -15dB MIN. LOAD 100 OHM

3-3. COMMON MODE REJECTION :

@1-100 MHZ -30dB MIN.

3-4. CROSS TALK :

@1-100 MHZ -30dB MIN.

3-5. PRIMARY INDUCTANCE @100KHZ, 0.1Vrms, 8mA DC BIAS (1-2), (7-8) : 350uH MIN.

3.6 HiPot TEST:

Input(1-2) to Output(1-2) : 1500Vrms, 60sec
 Input(7-8) to Output(3-6) : 1500Vrms, 60sec

XMULTIPLE		CONNECTING THE INFORMATION AGE	
XMULTIPLE ASIA SP. No. 80, Jilusan St., Taipei, TCA, Taiwan.		XMULTIPLE USA 3055 Old Concho Road Mercury Park, GA 30090	
THIS DRAWING IS A CONTROLLED DOCUMENT.		REV: 1A08T08R1	
TITLE: RJ45, Connectors, W/LED, 8P, 8C, Shielded/Thru Hole/10/100Mbps/FILTER		DWG NO: DENSO731RH	
PART NO: XRJH-11-01-8-8-X		DRAWN: VIQ	
DIMENSIONS		SHEET	
MM/INCH		2 of 2	
REV		E1	
DATE		07/31/01	