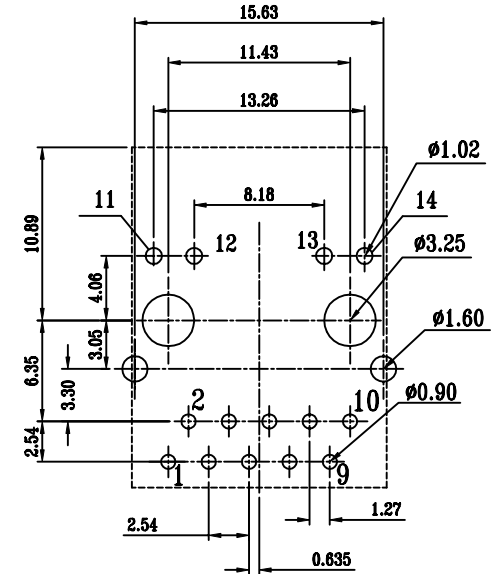
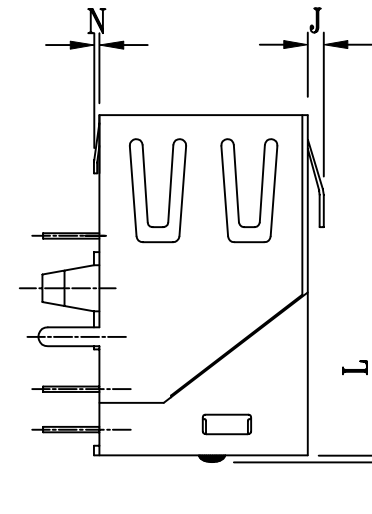
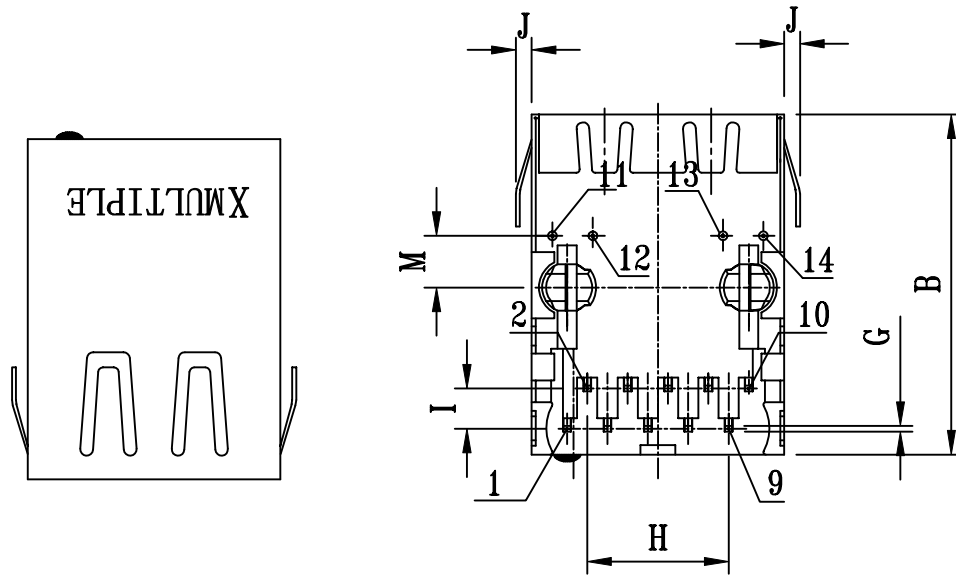
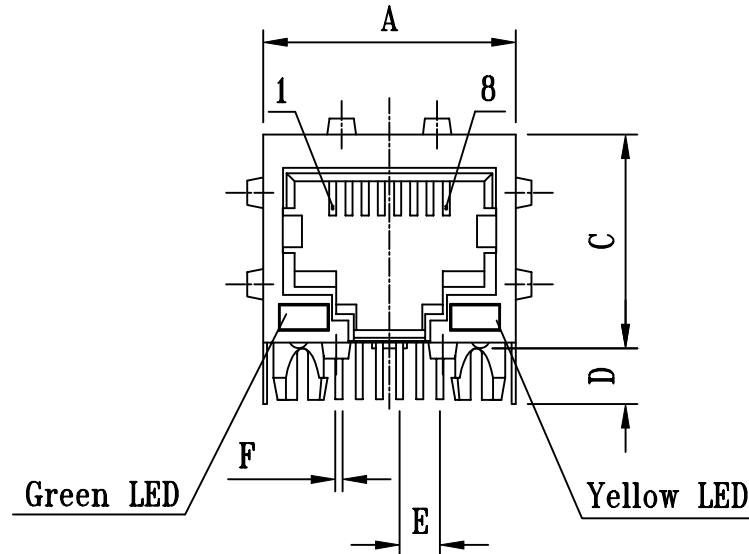


1. MECHANICAL DIMENSIONS :



RECOMMENDED P.C.B LAYOUT:
BOTTOM VIEW



UNIT : mm / inch

- A = 15.88±0.254 / 0.625±0.010
- B = 21.60±0.254 / 0.850±0.010
- C = 13.45±0.254 / 0.530±0.010
- D = 3.50±0.254 / 0.138±0.010
- E = 2.54 / 0.100 (TYP)
- F = 0.50±0.127 / 0.020±0.005
- G = 0.35±0.127 / 0.014±0.005
- H = 8.89 / 0.350 (TYP)
- I = 2.54 / 0.100 (TYP)
- J = 1.00±0.18 / 0.039±0.007
- L = 0.90 / 0.035 MAX
- M = 4.06 / 0.160 (TYP)
- N = 0.35 / 0.014 MAX.

LED Color Options Table

LED Color Options		LED DASH OPTION
Position 2	Position 1	
No LED	No LED	0
Yellow	Green	1
No LED	Green	2
Yellow	No LED	3
Green	Yellow	4
Green	Green	5
Yellow	Yellow	6
Orange/Green	Orange/Green	7
yellow/Green	Yellow/Green	8
Orange/Green	Yellow	9

XMULTIPLE

CONNECTING
THE INFORMATION
AGE

XMULTIPLE ASIA 3F, No. 60, Juluen St., Taipei, 10488, Taiwan.		XMULTIPLE USA 3555 Old Cone Jo Road Newbury Park, CA 91320		G/NO: RJG-1EA08T109P1
THIS DRAWING IS A CONTROLLED DOCUMENT.				
TITLE: RJ45, Connectors, W/LED, 10P, 8C, Shielded/Thru Hole/10/100/1000 Mbps FILTER				
PART NO: XRJG-12-01-8-10-4-EA				DWG NO: D-00008
DRAWN: Michelle				CHKD: C. TSAI
		DIMENSIONS mm [inch]	SHEET 1 of 2	REV A
DATE: 02/25/02				

3. ELECTRICAL CHARACTERISTICS :

3-1.INSERTION LOSS:

1-60MHZ -0.5dB MAX.
60-100MHZ -1.0dB MAX.
100-125MHZ -1.2dB MAX.

3-2.RETURN LOSS:

1 -30MHZ -16dB MIN. LOAD 100 OHM
.Z -13.5dB MIN. LOAD 100 OHM
40-50MHZ -11.5dB MIN. LOAD 100 OHM
50-80MHZ -10dB MIN. LOAD 100 OHM

3-3.CROSS TALK:

3-4.CMRR:

1-100MHZ -30dB MIN.