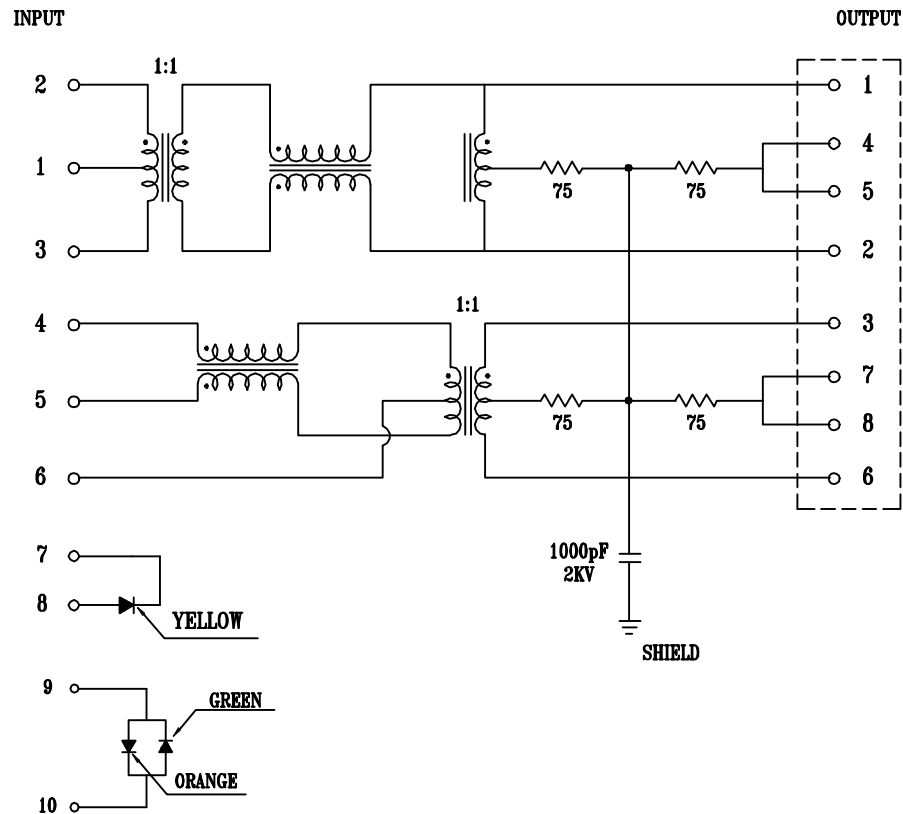


## 2. SCHEMATIC:



## 3. ELECTRICAL CHARACTERISTICS :

### 3-1. TRANSMITTER FILTER

TYPE: BALANCE LOW PASS 100 OHM IMPEDANCE NOM  
 INSERTION LOSS: 1-100 MHZ -1.0dB MAX.  
 RETURN LOSS: 1-30 MHZ -20dB MIN. LOAD 100 OHM  
 30-60 MHZ -15dB MIN. LOAD 100 OHM  
 60-80 MHZ -11dB MIN. LOAD 100 OHM

### 3-2. RECEIVER FILTER

TYPE: BALANCE LOW PASS 100 OHM IMPEDANCE NOM  
 INSERTION LOSS: 1-100 MHZ -1.0dB MAX.  
 RETURN LOSS: 1-30 MHZ -20dB MIN. LOAD 100 OHM  
 30-60 MHZ -17dB MIN. LOAD 100 OHM  
 60-80 MHZ -15dB MIN. LOAD 100 OHM

### 3-3. COMMON MODE REJECTION :

@1-100 MHZ -30dB MIN.

### 3-4. CROSS TALK :

@1-100 MHZ -30dB MIN.

### 3-5. PRIMARY INDUCTANCE @100KHZ, 0.1Vrms, 8mA DC BIAS (2-3), (4-5) : 350uH MIN.

### 3.6 HiPot TEST:

Input(2-3) to Output(1-2) : 1500Vrms, 60sec

Input(4-5) to Output(3-6) : 1500Vrms, 60sec

XMULTIPLE		CONNECTING THE INFORMATION AGE	
<small>                     XMULTIPLE ASIA                      2F, No. 90, Jinhua St.                      Taipei, Taiwan 10486                 </small>	<small>                     XMULTIPLE USA                      3848 Old County Road                      Newbury Park, CA 91380                 </small>	<small>                     DRG:                      DT-RLU1005-E5                 </small>	<small>                     DRG NO:                      0612-1X1T-03                 </small>
THIS DRAWING IS A CONTROLLED DOCUMENT.			
<small>                     TITLE: RJ45+USB A Type, w/LED,w/Filter 10/100Mbps                      8P,8C,Shielded,Thru-Hole                 </small>			
<small>                     PART NO:                      XRJB-S-1-86UA-W2-P6                 </small>	<small>                     DIMENSIONS                      mm                 </small>	<small>                     SHEET                      2 of 2                 </small>	<small>                     REV                      E1                 </small>
<small>                     DRG:                      Y. Chen                 </small>		<small>                     CRED:                      C. TSAI                 </small>	
<small>                     DATE:                      12/18/01                 </small>			