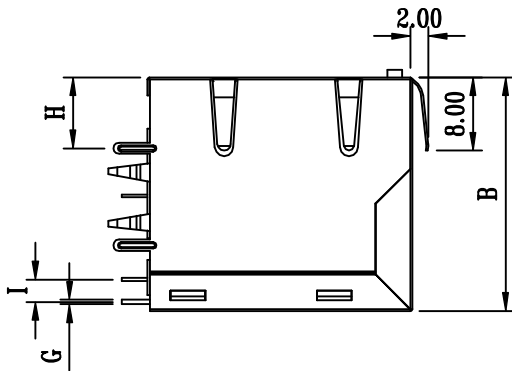
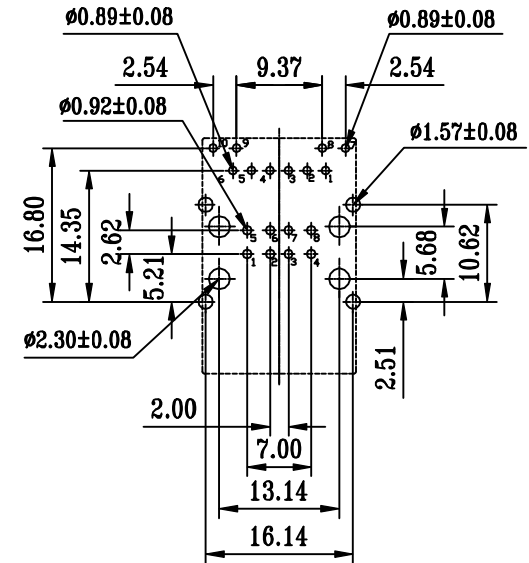
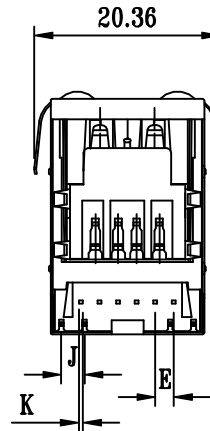
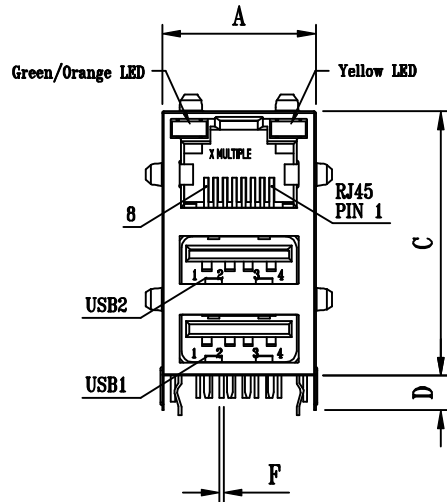


1. MECHANICAL DIMENSIONS :



UNIT : mm / inch

- A = 16.81±0.254 / 0.662±0.010
- B = 25.53±0.254 / 1.005±0.010
- C = 28.91±0.254 / 1.138±0.010
- D = 4.00±0.254 / 0.157±0.010
- E = 2.03 / 0.080 (TYP)
- F = 0.50±0.127 / 0.020±0.005
- G = 0.35±0.127 / 0.014±0.005
- H = 7.75 / 0.305 (TYP)
- I = 2.45 / 0.096 (TYP)
- J = 2.54 / 0.100 (TYP)
- K = 0.46 / 0.018 (TYP)

RECOMMENDED P.C.B. FOOTPRINT COMPONENT SIDE

PCB LAYOUT TOLERANCE
.xx ±0.05[0.002]

Part Numbering

XRJB-S-1-86UA-W2-P6

S : Shielded
U : Unshielded

86-8P6C
88-8P8C

LED COLOR OPTION

Pin 6

0	w/o FILTER
1	10/100 BASE FILTER
2	10/100/1000 BASE FILTER
3	10 BASE FILTER

UA : USB A TYPE
UB : USB B TYPE

1. MATERIALS:

HOUSING: THERMOPLASTIC PBT, UL94V-0 RATED
CONTACTS: PHOSPHOR BORNEZE, NICKEL UNDERPLATE ON ENTIRE CONTACT
TIN-LEAD ON TERMINATION END, 15°U ON CONTACT AREA
SHIELD: RJ45 WITH TIN & NICKEL OVER COPPER ALLOY
USB WITH TIN OVER COPPER ALLOY
DURABILITY: RJ45 - 750 MATING CYCLES MIN.
USB - 1500 MATING CYCLES MIN.

2. JACK CAVITY CONFORMS TO FCC RULES AND REGULATIONS PART 68, SUBPART F

NOTES: UNLESS OTHERWISE SPECIFIED
UNSPECIFIED TOLERANCE: .XX ±0.25[0.010]
.X ±0.30[0.012]

XMULTIPLE		CONNECTING THE INFORMATION AGE
XMULTIPLE ASIA 8F, No. 60, Juitan St., Taipei, Taiwan 10488	XMULTIPLE USA 8556 Old County Road, Newbury Park, CA 91360	S/N: DT-RL11005-E5
THIS DRAWING IS A CONTROLLED DOCUMENT.		
TITLE: RJ45+USB A Type, w/LED,w/Filter 10/100Mbps 8P,8C,Shielded,Thru-Hole		
PART NO:	XRJB-S-1-86UA-W2-P6	DWG NO: 0812-1X1F-03
DIMENSIONS	SHEET	REV
mm [inch]	1 of 2	E1
DRAWN:	C. TSAI	DATE: 12/18/01