

Part Numbering:

CONNECTOR~

UJAX - XX - X - X - XXX - X X X

NUMBER OF PORTS

UPPER PORT LED OPTIONS

MECHANICAL TYPE

BOTTOM PORT LED OPTIONS

LED POLARITY OPTIONS

- 0: w/o LED
- 1: + - , + -
- 2: + - , - +
- 3: - + , - +
- 4: Bl-color , Bl-color
- 5: Bl-color , + -
- 6: Bl-color , - +
- 7: + - , Bl-color
- 8: - + , Bl-color
- 9: TRI-color , TRI-color
- A: TRI-color , + -
- B: - + , + -

SHIELDING OPTIONS

- 1: EMI finger on all side
- 2: Non- EMI finger

Special Code Options

- 1: Contacts plated with 5U" Gold
- 2: Contacts plated with 15U" Gold
- 3: Contacts plated with 30U" Gold

CABLE~

UJAX - CAB - X X - XX

SERIES NUMBER

TYPE :

- 1: U16 (MALE) TO RJ 45 (MALE) Y CABLE
- 2: U16 (MALE) TO RJ 45 (MALE) & RJ 11 (MALE) Y CABLE

CABLE COLOR :
(SEE NOTE 1)

NOTE 1:

- 1: BLACK
- 2: BLUE
- 3: WHITE
- 4: GRAY
- 5: GREEN
- 6: YELLOW
- 7: RED
- 8: VIOLET
- 9: BEIGE

ADAPTER~

UJAX - ADT - X X - XX

SERIES NUMBER

TYPE :

- 1: U16 (MALE) TO RJ 45 (FEMALE)
- 2: U16 (MALE) TO RJ 11 (FEMALE)

CABLE COLOR :
(SEE NOTE 1)

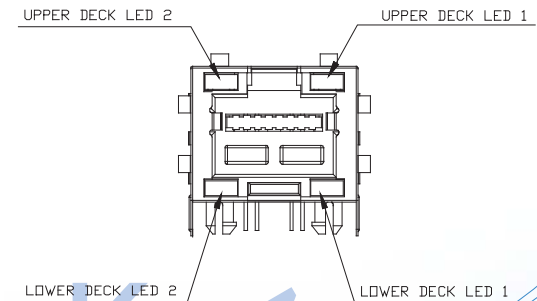
UPPER DECK LED				LOWER DECK LED		
LED CODE	LEFT LED # 2	RIGHT LED # 1		LED CODE	LEFT LED # 2	RIGHT LED # 1
1	YE	GR		1	YE	GR
2	GR	YE		2	GR	YE
3	GR	GR		3	GR	GR
4	YE	YE	GR	4	YE	YE GR
5	GR	YE	GR	5	GR	YE GR
6	YE GR	YE	GR	6	YE GR	YE GR
7	YE GR	YE		7	YE GR	YE
8	YE GR	GR		8	YE GR	GR

YE = Yellow

GR = Green

Primary Color

Secondary Color



The above dimensions are for references only and are not to be used for design work. Please contact our sales people for the specification drawing for your application.