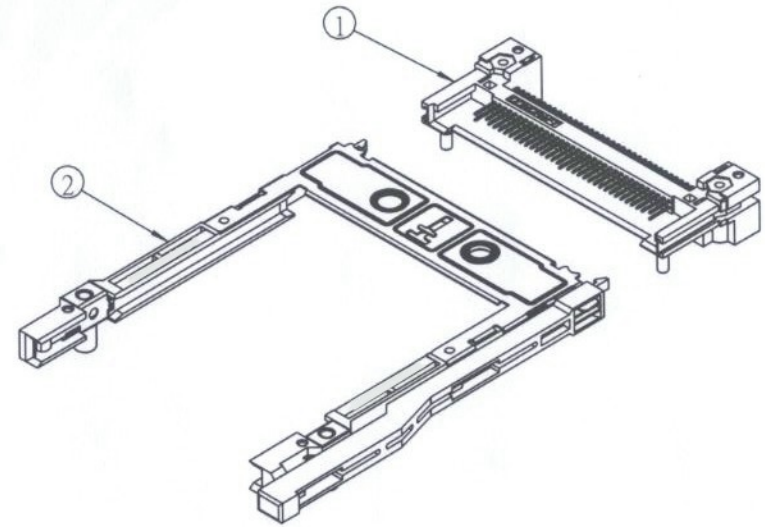
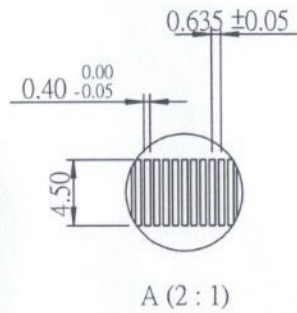
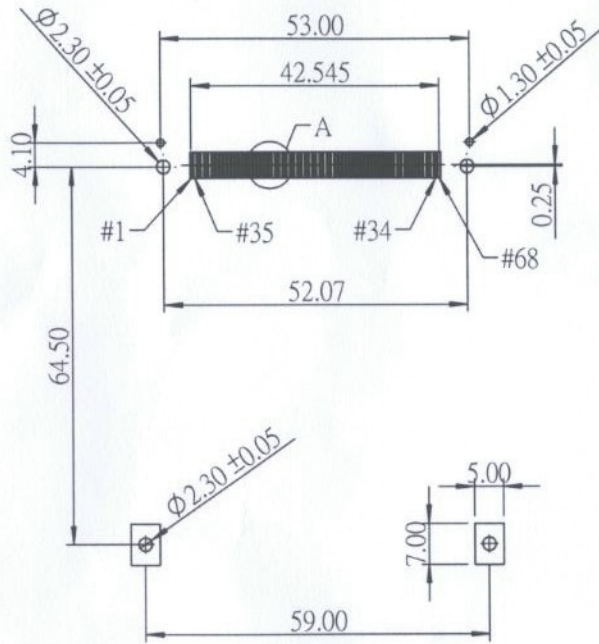


1.MECHANICAL DIMENSIONS:



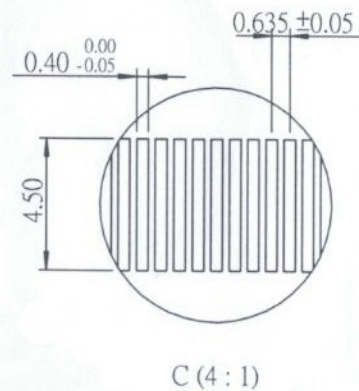
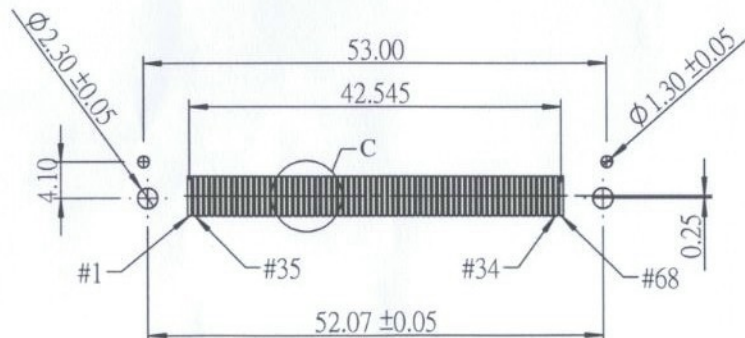
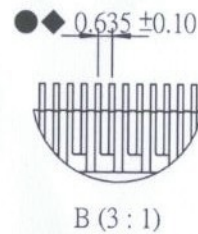
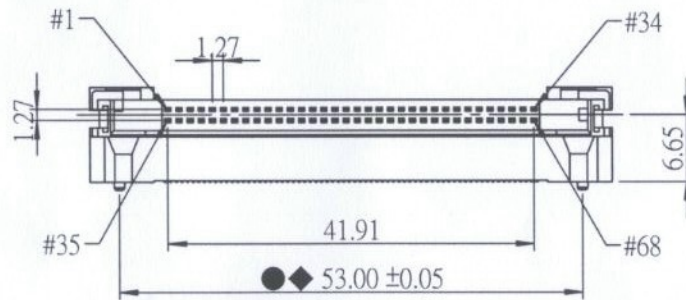
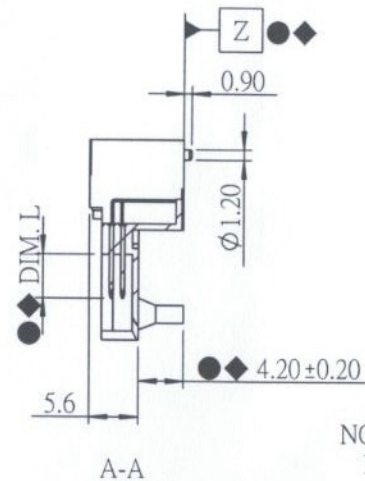
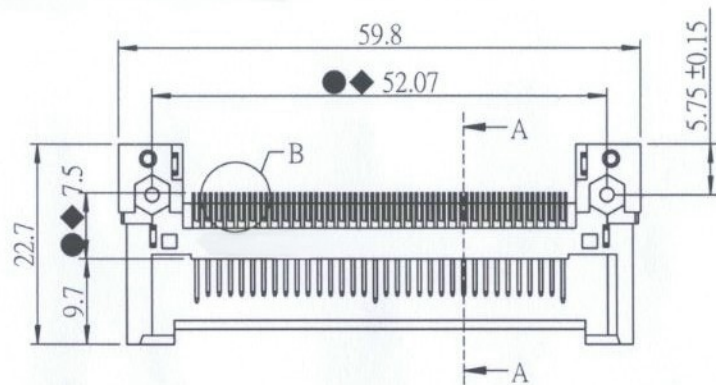
PCB LAYOUT : COMPONENT SIDE

ITEM	PART NO.	NAME
1	A11C1A004010P00	HEADER
2	A1A11D114000P00	EJECTOR

RoHS Compliant

		THE INFORMATION AGE	
XMULTIPLE ASIA 4F, No. 347, Yang Guang St., Neihu Chiu, Taipei, Taiwan 11475		XMULTIPLE USA 1420 Los Angeles Ave., Suite G, Simi Valley, CA 93065	
THIS DRAWING IS A CONTROLLED DOCUMENT.			
TITLE: PCMCIA ASSEMBLY		DWG NO: XPCH-A11G1D114010P00	
PART NO: XPCM-A11G1D114010P00		DRAWN: AUSTIN	
		CHKD: JEFF	
UNIT mm[inch]		SHEET 1 of 3	
REV 01		DATE: May.15,06	

2.HEADER



PCB LAYOUT : COMPONENT SIDE

NOTE:

- SOLDERTAIL TO BE WITHIN 0.05 UPWARD AND 0.2 DOWNWARD FROM Z-DATUM PLACE, AND COPLANALITY OF SOLDERTAILS TO BE WITHIN 0.12. MEASUREMENT POINT IS SOLDERTAILS TIP.
- INSPECTION SYMBOL:
 ● : MANUFACTURER INSPECTION
 ◆ : Q.C INSPECTION
- PLEASE REFER TO TABLE 1 FOR TERMINAL LENGTH.

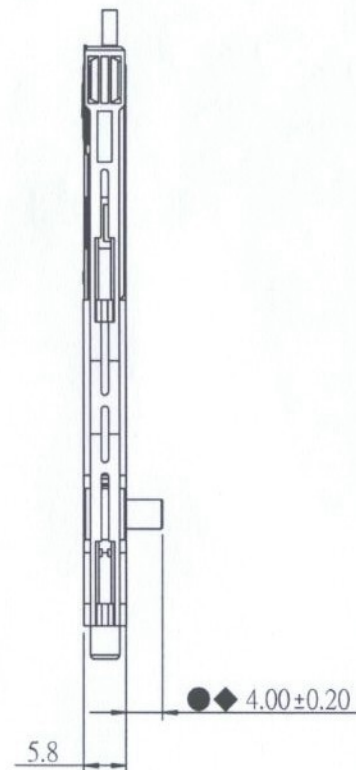
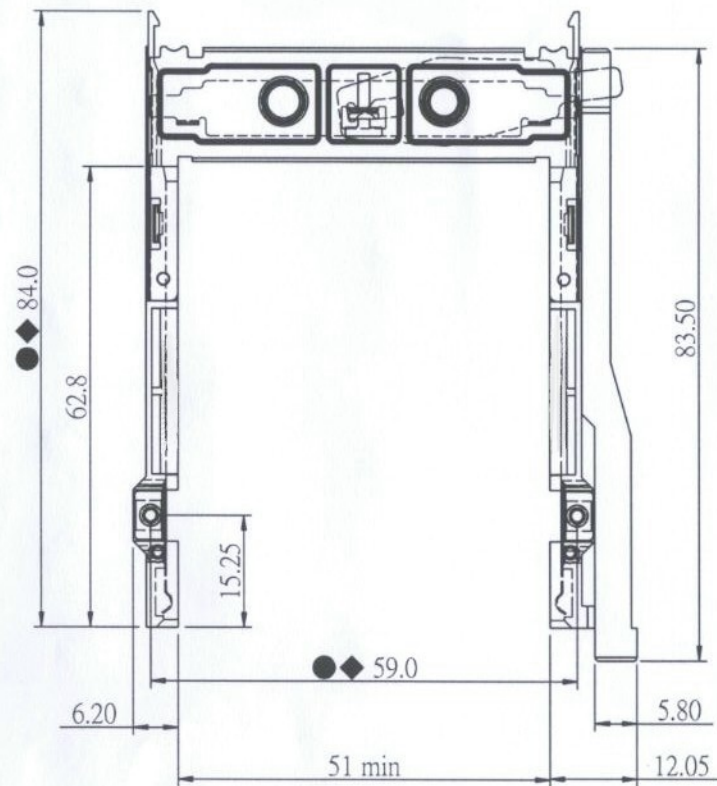
TABLE 1

PIN TYPE	DIM. L ±0.20	PIN NUMBER
DETECT	3.50 mm	36 , 67
GENERAL	4.25 mm	THE REST
POWER	5.00 mm	1, 17, 34, 35, 51, 68

RoHS Compliant

XMULTIPLE		THE INFORMATION AGE	
XMULTIPLE ASIA 4F, No. 347, Yong Guang St., Neihu Chiu, Taipei, Taiwan 11475		XMULTIPLE USA 1420 Los Angeles Ave., Suite G, Simi Valley, CA 93065	
THIS DRAWING IS A CONTROLLED DOCUMENT.		G/NO:	
TITLE: PCMCIA ASSEMBLY		DWG NO: XPCM-A11G1D114010P00	
PART NO: XPCM-A11G1D114010P00		DRAWN: AUSTIN	
		CHKD: JEFF	
		DATE: May.15,06	
UNIT mm[inch]	SHEET 2 of 3	REV 01	

3.EJECTOR:



RoHS Compliant

		THE INFORMATION AGE	
XMULTIPLE ASIA 4F, No. 347, Yong Guang St., Neihu Chiu, Taipei, Taiwan 11475		XMULTIPLE USA 1420 Los Angeles Ave., Suite G, Simi Valley, CA 93065	
THIS DRAWING IS A CONTROLLED DOCUMENT.		G/NO:	
TITLE: PCMCIA ASSEMBLY		DWG NO: XPCM-A11G1D114010P00	
PART NO: XPCM-A11G1D114010P00		DRAWN: AUSTIN	
		CHKD: JEFF	
UNIT: mm[inch]		DATE: May.15,06	
SHEET: 3 of 3		REV: 01	