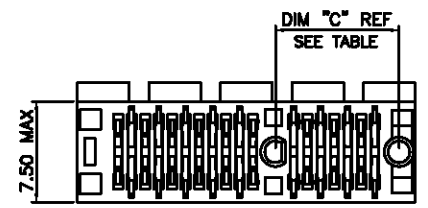
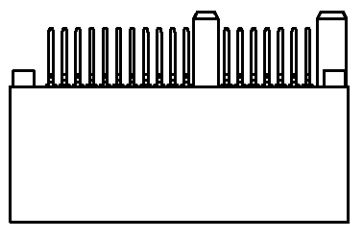


NOTES:

- MATERIALS:
HOUSING: HIGH TEMP. NYLON COLOR: SEE P/N.
CONTACT: COPPER ALLOY.
- PLATING:
CONTACT AREA : GOLD PLATING SEE P/N.
SOLDER TAIL : TIN THICKNESS=100µm Min.
UNDER PLATING : OVER NICKEL THICKNESS=50µm Min.
- DATE CODE: TO BE PRINTED, IF REQUIREMENT.
- LEAD FREE AND ROHS COMPLIANCE PRODUCT.



CONNECTOR LINK WIDTH	# POS REF	N	DIM 'A'	DIM 'B'	DIM 'C'	PCB THK (REF)	DIM 'D'
X1	36	6	7.65	25.00	9.15	1.57	2.30
X4	64	20	21.65	39.00	23.15	2.36	3.10
X8	98	37	38.65	56.00	40.15		
X16	164	70	71.65	89.00	73.15		

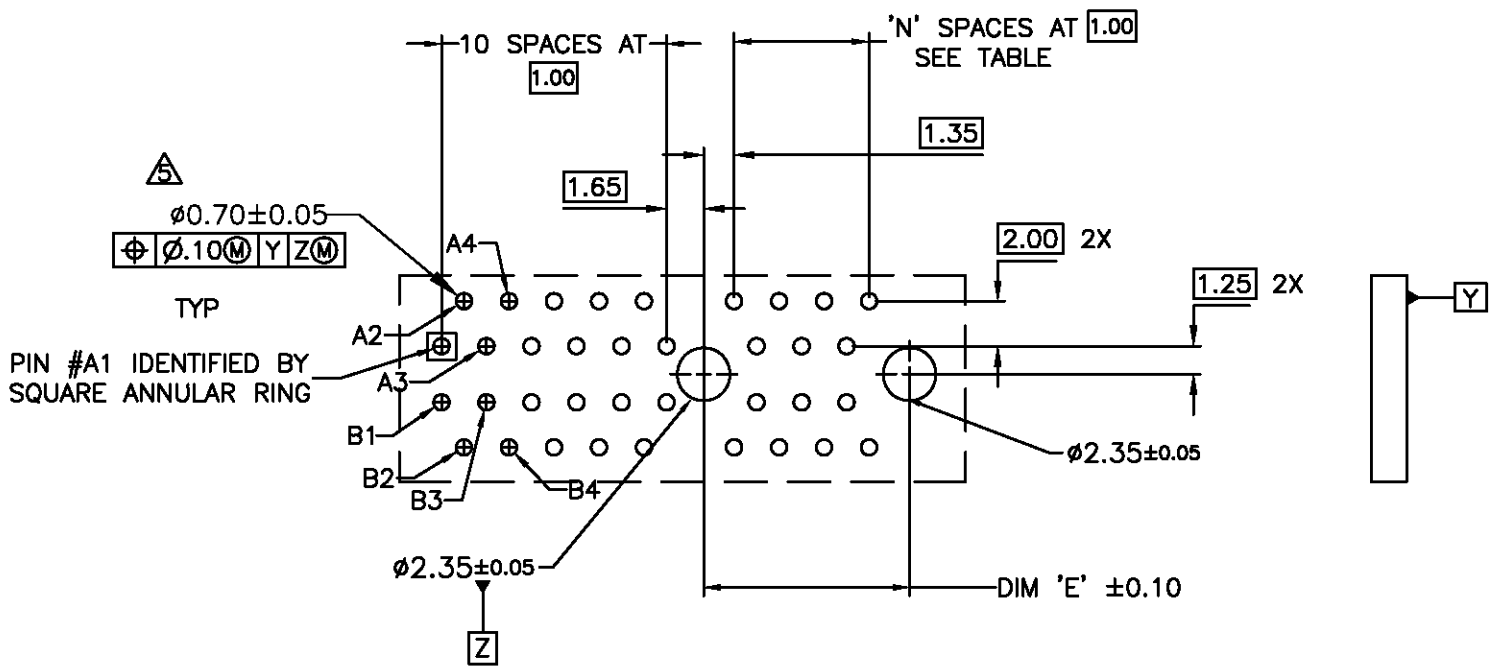


XMULTIPLE CONNECTORS

尺寸重要度	TITLE: PCI EXPRESS	DRAWN BY:	
<input type="checkbox"/> 重要尺寸(CRITICAL) <input checked="" type="checkbox"/> 主要尺寸(MAJOR) <input type="checkbox"/> 次要尺寸(MINOR) <input type="checkbox"/> 参考尺寸(REF)	PART NO: 67326-XXXXXX	CHECKED BY:	
	DRAWING NO: S7326301	APPROVED BY:	UNLESS OTHERWISE SPECIFIED
	UNITS: m/m	SCALE: 1/1	FILE NO: S7326301

F
E
D
C
B
A

SYM	DATE	REVISION	APPROVAL
	05/05/09	INITIAL DRAWING	



△ THE HORIZONTAL AXIS FOR THE HOLE PATTERN IS ESTABLISHED BY A LINE THROUGH THE CENTER OF THE TWO Ø2.35 HOLES. THE VERTICAL AXIS IS 90° TO THE HORIZONTAL AXIS, THROUGH THE CENTER OF DATUM **Z**

6 TOLERANCE: XX±.13

CONNECTOR LINK WIDTH	# POS REF	N	DIM 'E'
X1	36	6	9.15
X4	64	20	23.15
X8	98	37	40.15
X16	164	70	73.15

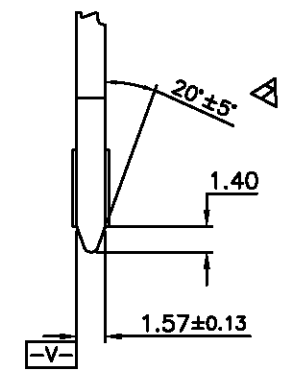
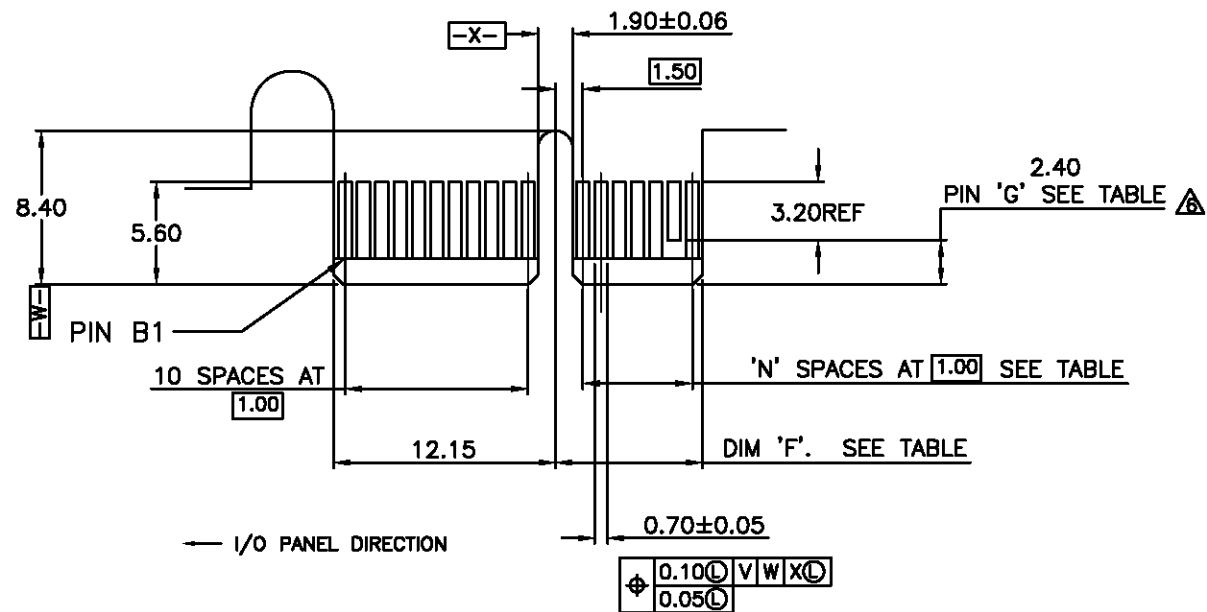
X MULTIPLE CONNECTORS

尺寸重要度	TITLE: PCI EXPRESS	DRAWN BY:	
■ 重要尺寸(CRITICAL)	PART NO: 67326-XXXXXX	CHECKED BY:	TOLERANCE m/m
☒ 主要尺寸(MAJOR)	DRAWING NO: S7326301	APPROVED BY:	.0 ±0.35
□ 次要尺寸(MINOR)	UNITS: m/m	SCALE: 1/1	.00 ±0.25
() 参考尺寸(REF)	SHEET: 2 OF 3	REV: A	.000 ±0.08
			ANGLES ± 3°
			UNLESS OTHERWISE SPECIFIED
			FILE NO: S7326301

F
E
D
C
B
A

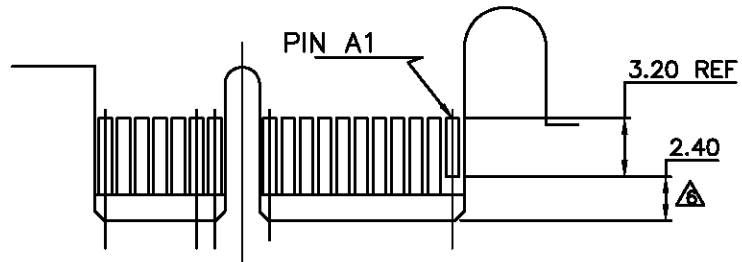
1 2 3 4 5 6 7 8

SYM	DATE	REVISION	APPROVAL
	05/05/09	INITIAL DRAWING	



- △ NO TIE BAR PERMITTED FROM CARD EDGE TO LEADING EDGE OF PAD FOR PINS A1 AND 'C'.
- △ CHAMFER EDGES MUST BE FREE OF CUTTING BURRS.

PRIMARY (COMPONENT) SIDE
(TOLERANCE: .XX±.13)



SECONDARY (SOLDER) SIDE
(TOLERANCE: .XX±.13)

CONNECTOR LINK WIDTH	# POS REF	N	DIM 'F'	'G'△
X1	36	6	8.15	B17
X4	64	20	22.15	B31
X8	98	37	39.15	B48
X16	164	70	72.15	B81

XMULTIPLE CONNECTORS

尺寸重要度	TITLE: PCI EXPRESS	DRAWN BY:	
<input type="checkbox"/> 重要尺寸(CRITICAL) <input checked="" type="checkbox"/> 主要尺寸(MAJOR) <input type="checkbox"/> 次要尺寸(MINOR) <input type="checkbox"/> 参考尺寸(REF)	PART NO: 67326-XXXXX	CHECKED BY:	
	DRAWING NO: S7326301	APPROVED BY:	.0 ±0.35 .00 ±0.25 .000 ±0.08 ANGLES ± 3°
UNITS: m/m	SCALE: 1/1	SHEET: 3 OF 3	REV: A
			UNLESS OTHERWISE SPECIFIED FILE NO. S7326301