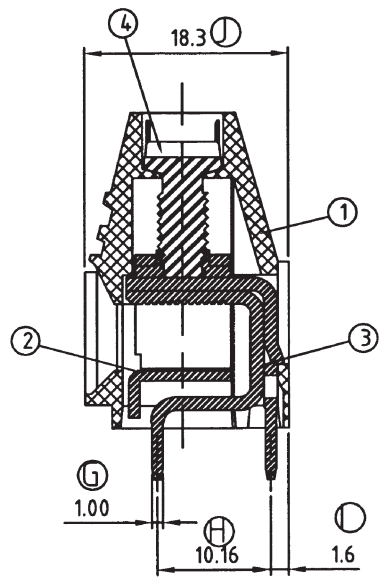
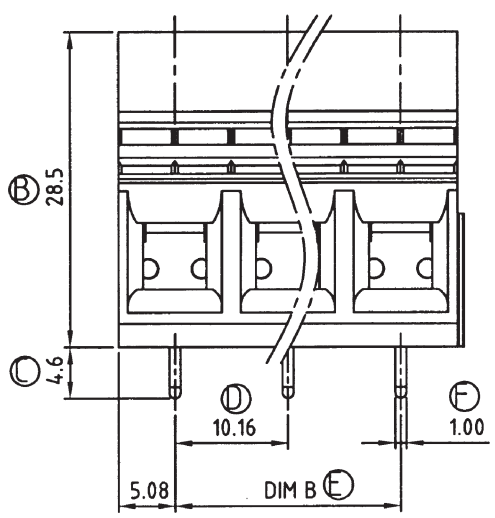
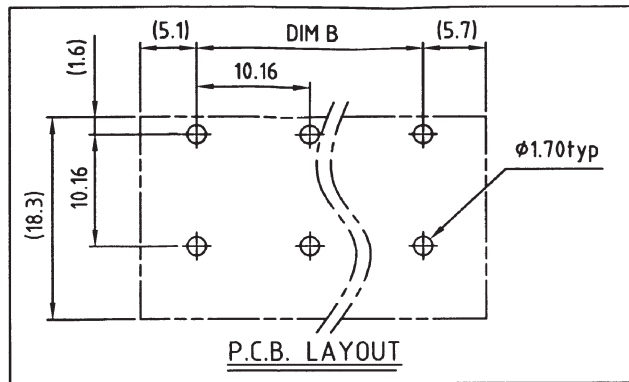
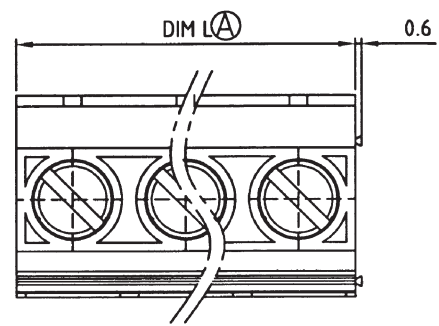


REV.	ECN NO.	DATE
A	Released	10/04/2011



Specifications:

Materials:

- * Metal housing: Steel Stamping
- * Clamp: Steel stamping, Zinc plated
- * Housing: Thermoplastic (UL94V-0)
- * Screws: Steel, Zinc plating "-" slot type

Electrical:

- * Current Rating: 65A
- * Voltage Rating: 300VAC
- * Withstanding Voltage: AC 1600V(1 min)
- * Wire range: 6~20 AWG

Mechanical:

- * Operating Temperature: -40°C ~ + 115°C
- * Max Soldering: +250°C, for 5 Sec.
- * Torque: 19lb,in
- * Strip length: 10~11mm
- * Screw: M4.5

How to Order:

XSBB - TB123 - 1 - x - x - 0 - S

No. of poles
 2: 2 poles
 | : |
 12: 12 poles

Color
 G: Gray
 B: Black
 E: Green
 U: Blue

Poles	02	03	04	05	06	07	08	09	10	11	12
Dim L	20.32	30.48	40.64	50.80	60.96	71.12	81.28	91.44	101.60	111.76	121.92
Dim B	10.16	20.32	30.48	40.64	50.80	60.96	71.12	81.28	91.44	101.60	111.76
TOL	±0.15			±0.25			±0.35				

RoHS Compliant

Scale		Drawn by	ANGLIA	XMULTIPLE	
Unit	mm	Checked by	Kevin		
Tolerance		Sheet	1 of 1	Name: Terminal Blocks, 10.16mm single contacts	
.X ± 0.30	Projection			Part number	XSBB-TB123-1-x-x-0-S
.XX ± 0.10				Drawing no.	TB123-1-x-x-0-S
.XXX ±					
ANG. = 1°					