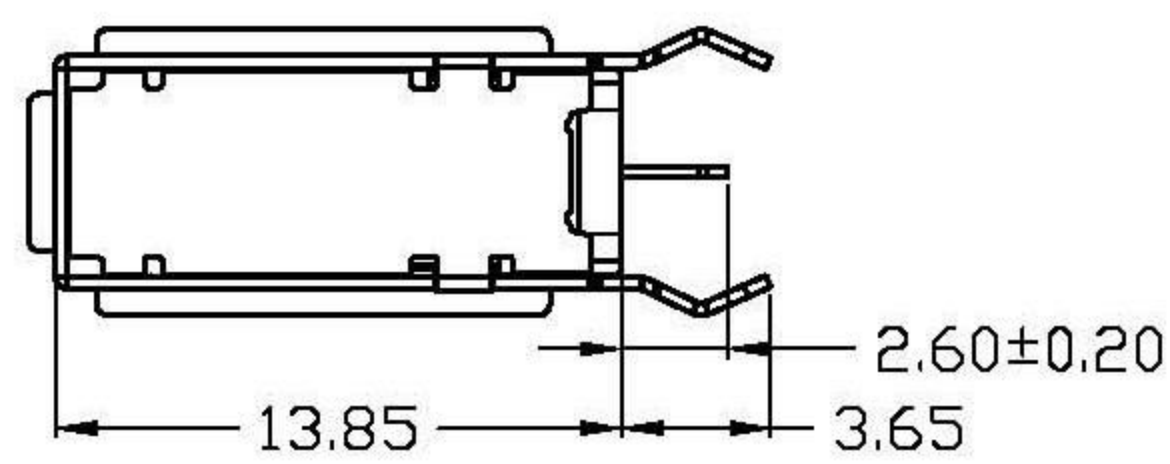


REV.	ECN NUMBER	DESCRIPTION	DRAWING	DATE



SPECIFICATIONS

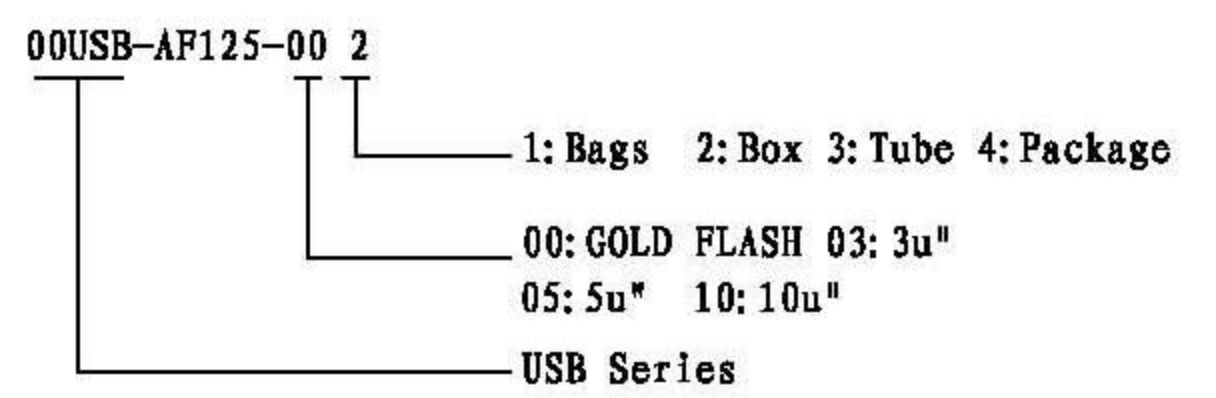
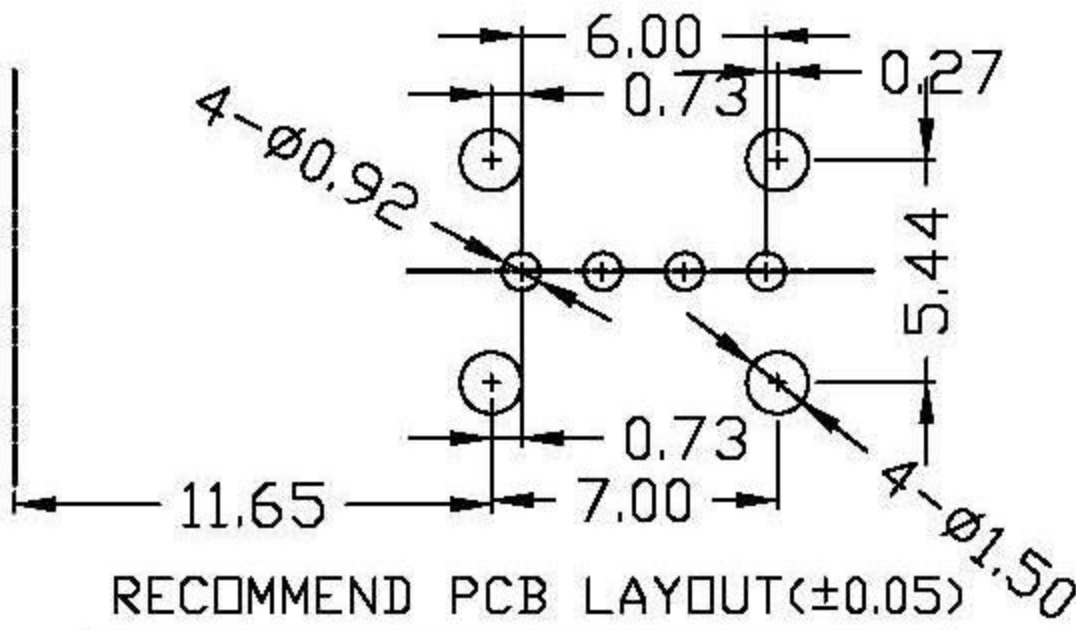
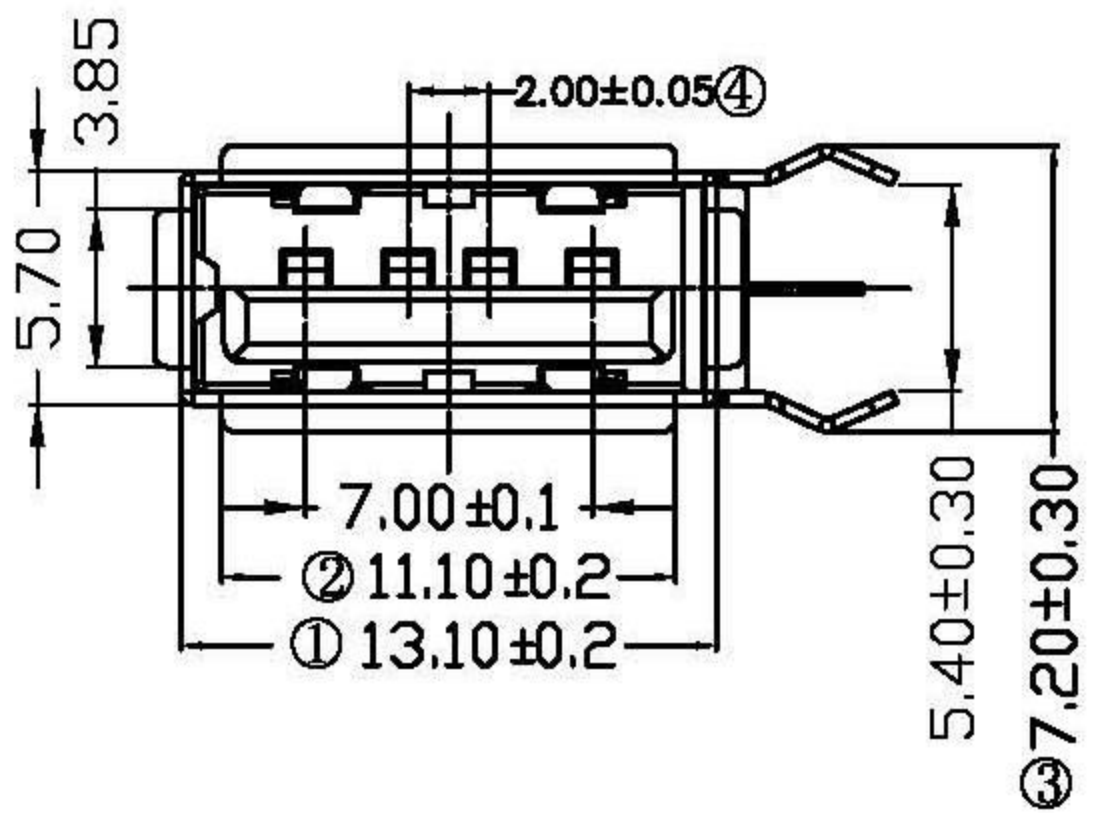
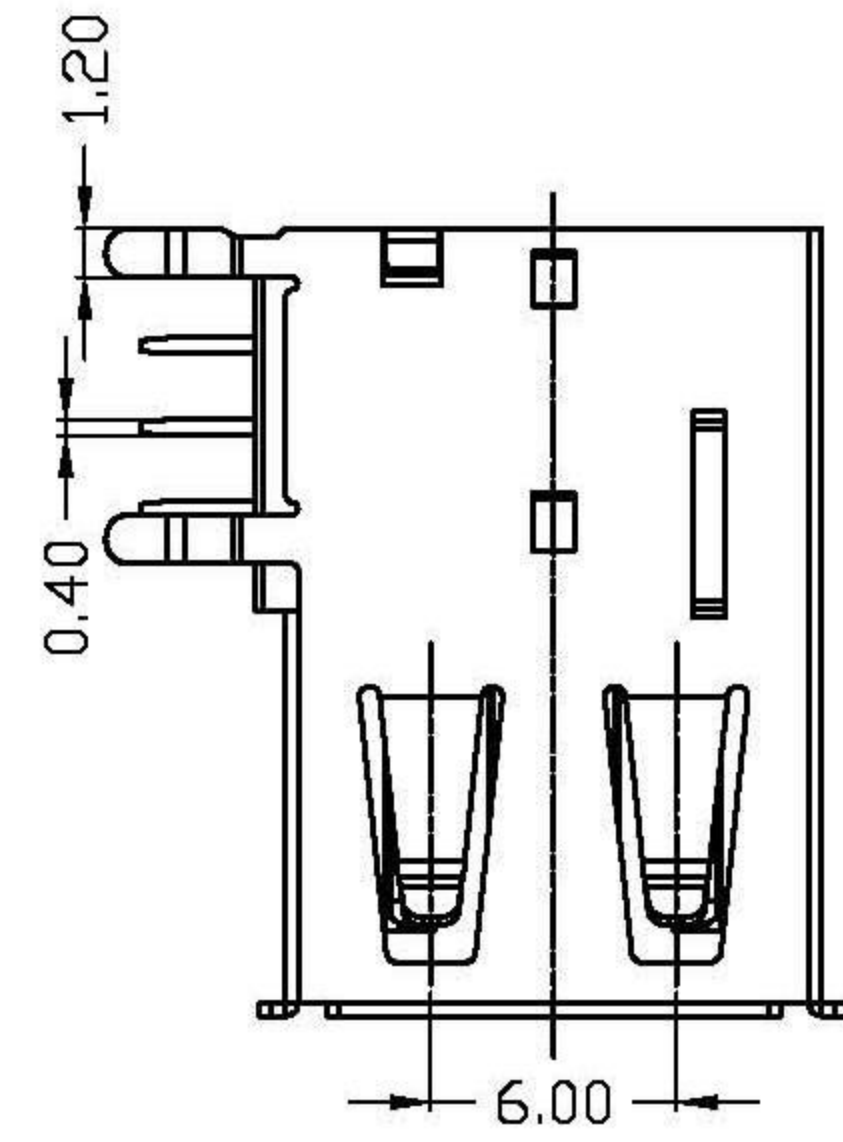
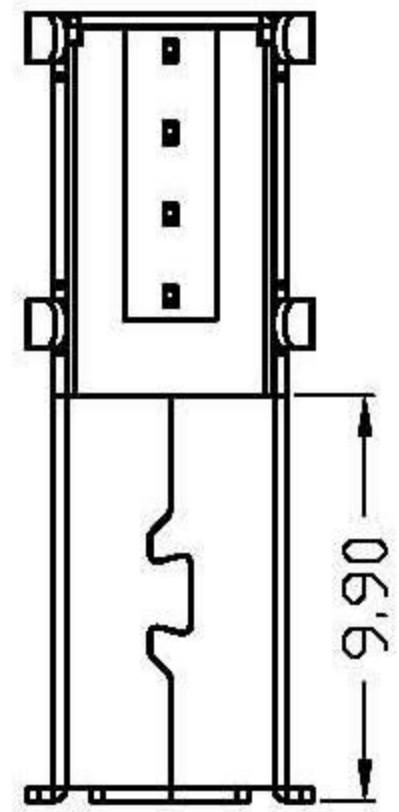
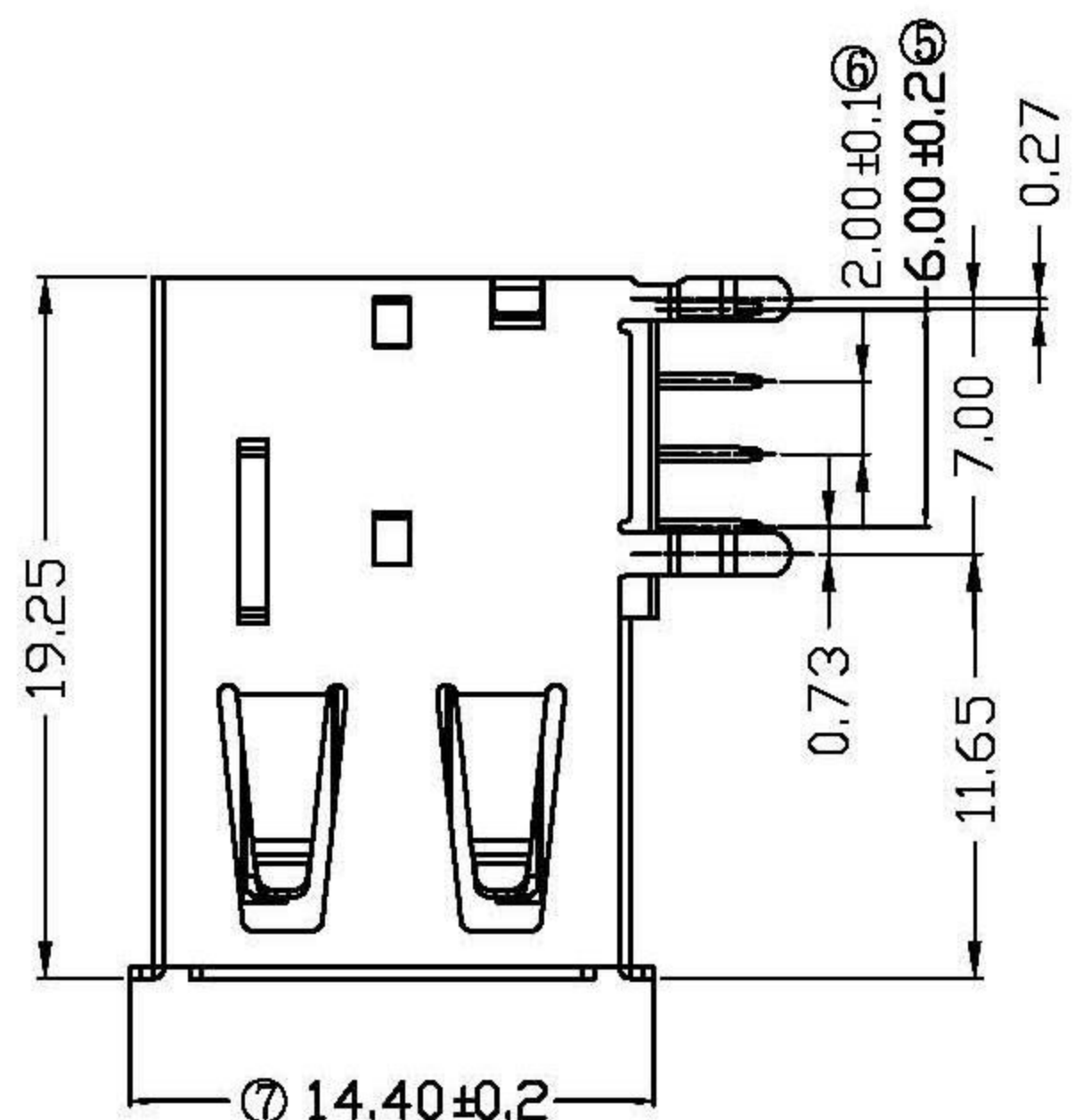
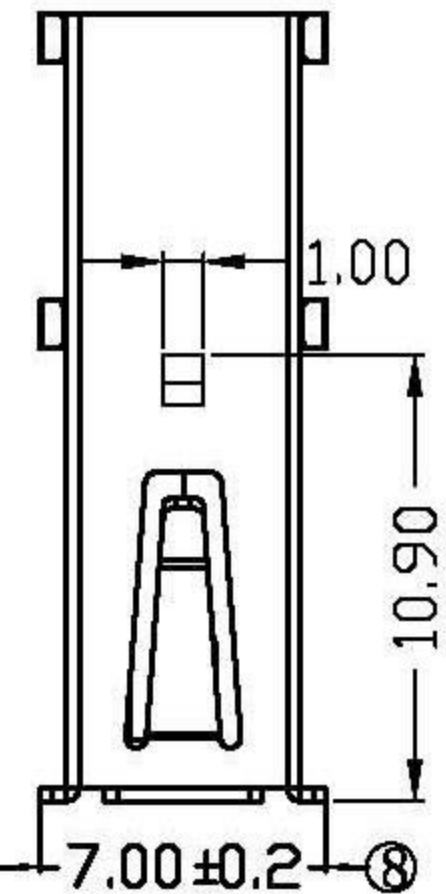
ELECTRICAL CHARACTERISTICS:
 CONTACT CURRENT RATING : 1AMPERES.
 DIELECTRIC WITHSTANDING VOLTAGE : AC 500V R.M.S.
 INSULATION RESISTANCE : 1000 MΩ MIN AT DC 500V.
 CONTACT RESISTANCE : 30 mΩ MAX.
 OPERATING TEMPERATURE : -55° C TO+105° C.

MECHANICAL CHARACTERISTICS:
 CONTACT INSERTION FORCE : 3.57KGF MAXIMUM.
 CONTACT SEPARATION FORCE : 0.7KGF MINIMUM.
 CONTACT RETENTION FORCE: 0.15KGF/Pin Min.

MATERIALS:
 CONTACT: BRASS.
 HOUSING: P. B. T. +30%GF UL 94V-0 WHITE.
 COVER: PBT WHITE
 SHELL: SPCC . COLD ROLLED STEEL.

FINISHES:
 CONTACTS : GOLD FLASHED 1U", 3U", 5U", 10U", 15U", 30U".
 SHELL : Ni 100 u" Min.

THE DIMENSIONS MARKED "▲" SHALL BE CHECK BY Q.C.



CUSTOMER DRAWING		TOLERANCE UNLESS OTHERWISE SPECIFIED		X MULTIPLE			
		X ± 0.30	X* ± 4'	PART NO.	00USB-AF125-002	DWG NO.	11-AF-125
		X ± 0.25	X* ± 4'	TITLE	AF 90度侧插 加后塞 白胶铁壳		
		XX ± 0.20		DATE	25/10/08	SHEET	1/1
DRAWN	Yane	UNIT	MM	PROJ.		SIZE	A4
CHECKED		SCALE	1:1	REV.			A
APPROVE							

由 Autodesk 教育版产品制作

由 Autodesk 教育版产品制作