

SPECIFICATIONS

Materials

Insulator: Thermoplastic, Glass Filled, UL 94V-0 Rated

Contact: Copper Alloy
Gold Plating

Shell: Copper Alloy
Tin-Lead Plated Over Copper

Electrical

Insulation Resistance: 1000 Megohms Minimum

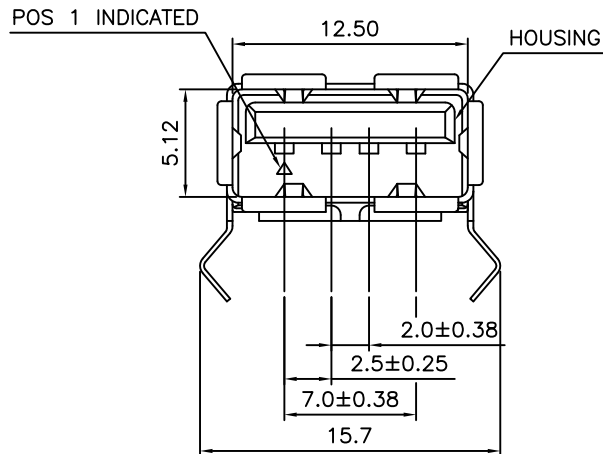
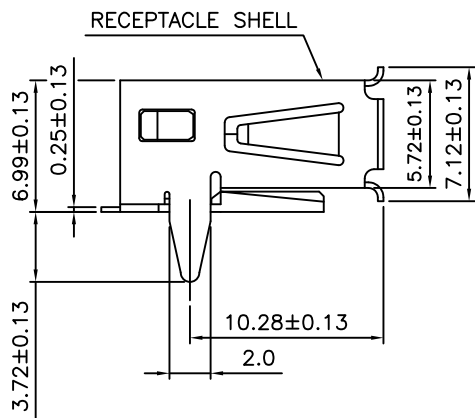
Contact Resistance: 30 Milliohms Maximum Initial

Dielectric Withstanding Voltage: 500V AC for one minute

Current: 1.0 Ampere Maximum Per Contact At 30°C T-Rise

Voltage: 30V AC (rms)

Temperature: -55°C ~ 85°C



GENERAL TOLERANCE

.0 ±0.25
.00 ±0.15
.000 ±0.05

SIZE

A4

REV.

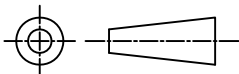
0

DRAWN

Sam

DATE

Nov/04/11



UNIT:mm

DESCRIPTION:

USB 1.1 version A type connector
4p female PCB R/A SMT type (RoHS)

PRODUCT NO.

XUSB-UBARS1-04SW111R

FILE NAME.

XMULTIPLE
Technologies, Inc.