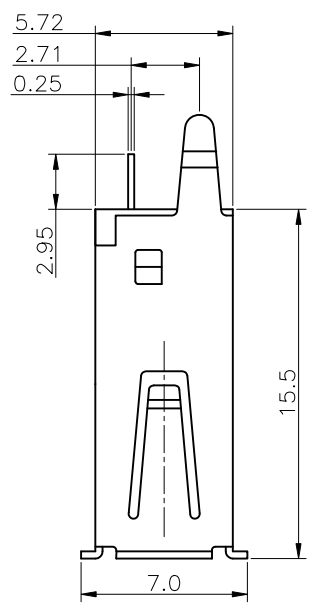
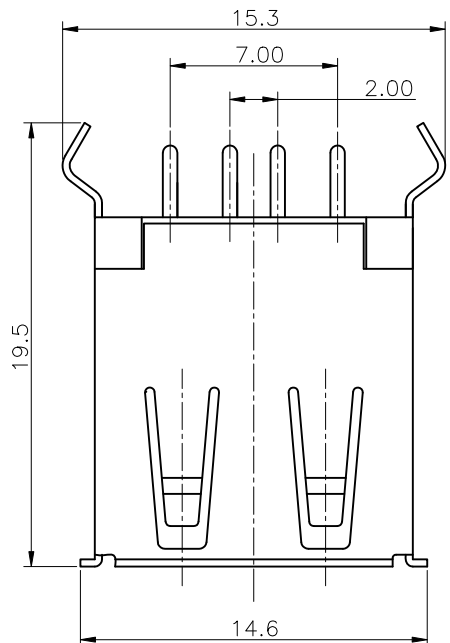


A B C D E

1



- 1.MATERIAL:
 1.1 INSULATOR: PBT, UL94V-0;
 INSULATOR COLOR: SEE ORDER INFORMATION.
 1.2 CONTACT: PHOSPHOR BRONZE.
 1.3 SHIELD: BRASS.

- 2.FINISH:
 2.1 CONTACT: SELECTIVE(SEE ORDER INFORMATION) PLATED IN CONTACT AREA
 80u" MIN. TIN PLATED IN SOLDER AREA
 30u" MIN. NICKEL UNDERPLATED OVERALL.
 2.2 SHIELD: 30u" MIN. NICKEL PLATED OVERALL.

- 3.ELECTRICAL CHARACTERISTICS
 3.1 CURRENT RATING: 1.0A.
 3.2 CONTACT RESISTANCE: 30mΩ MAX.
 3.3 INSULATION RESISTANCE: 1000MΩ MIN.
 3.4 DIELECTRIC WITHSTANDING VOLTAGE: AC 750V PER MINUTE.
 3.5 OPERATING TEMPERATURE: -20°C ~ +85°C.

- 4.NOTES:
 4.1 THIS COMPONENT AND ITS HOMOGENEOUS
 SUBCOMPONENTS ARE RoHS COMPLIANT.
 4.2 RESISTANCE TO SOLDERING HEAT: 265°C FOR 5 SECONDS,
 AND ONLY FOR WAVE SOLDERING PROCESS.

2

3

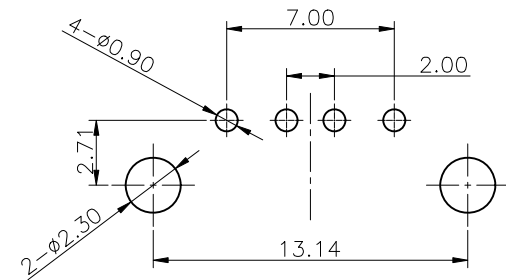
4

5. ORDER INFORMATION:

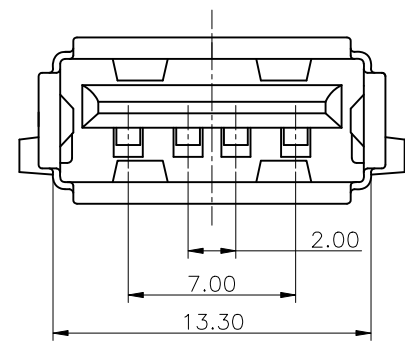
XUSB-UB41A11A X 2 SX -D

INSULATOR COLOR
 B: BLACK
 C: WHITE

CONTACT PLATED:
 S1: GOLD FLASH
 S2: 3u" GOLD
 S3: 5u" GOLD
 S4: 10u" GOLD
 S5: 15u" GOLD
 S6: 30u" GOLD
 S7: 50u" GOLD



RECOMMENDED PCB LAYOUT(PCB THICKNESS: 1.6mm)
 COMPONENT SIDE VIEW(TOLERANCE: ±0.05)



5

REV.	DESCRIPTION	ECN NO.	NAME	DATE
AO	NEW RELEASE		Milo	Jul.22.2011

DIM.	TOL.
X	
X.X	±0.30
X.XX	±0.25
X.XXX	±0.15
GENERAL ANGLE: ±3°	

TITLE: USB A TYPE 4 PINS FEMALE VERTICAL DIP TYPE				
DWG. NO.: C-UB41A11AX2SX-D			DRAWN: Milo	
PART NO.: XUSB-UB41A11AX2SX-D			CHECKED: Karen	
UNIT: mm	SCALE: none	SHEET: 1 OF 1	DWG. SIZE: A4	LAYER: CN188
APPROVED: Frank			RFQ NO.: Q1107085	

XMULTIPLE

REVISIONS