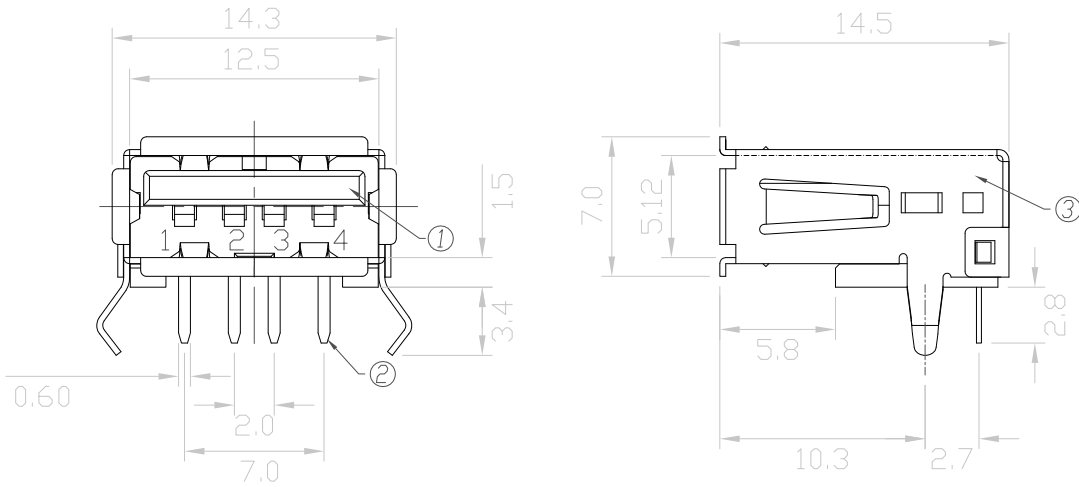
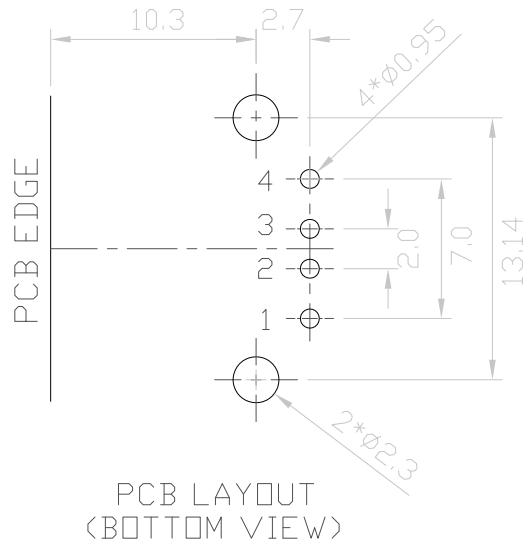


REV	ZONE	REVISION	DATE



Specification:  
 Contact Resistance: 30m Ohm Max.  
 Insulation Resistance: 1000M Ohm Min. At 500VDC.  
 Rated Voltage And Current: 1.5A At 250VAC Minimum.  
 Dielectric Withstanding Voltage:  
     750V AC (rms) for 1 Minute(Rev. 1.1)  
 Durability (Life Test): 1500 Cycles  
 Insertion Force: 35 Newton Maximum.  
 Extraction Force: 10 Newton Minimum.



Green Product

NO.	NAME	MATERIAL	FINISH	Q'TY	REMARK
1	HOUSING	PBT G.F.	WHITE	1	
2	TERMINAL	PHOS. BRONZE T:0.25	GOLD/TIN PLATED	4	Gold:1~3u"; NI:40~60u"; TIN:120u" (100% pure Tin of lead free plating)
3	SHELL	BRASS T:0.3	NICKEL PLATED	1	Ni:80~120u"

# Xmultiple

COMPUTER NO.			UNIT	SCALE	PART NAME	
			mm	1:1	USB A TYPE FLAT 4 PIN DIP	
APPD.	CKD.	DWG.	DATE	TOLERANCE	PART NO.	REV.
		TINA	15-09-10	X. ±0.38 .X ±0.25 .XX ±0.13 .XXX ±0.05		A1

MODEL

XUSB-KS-001-ANW-L

PAGE 1 OF 1