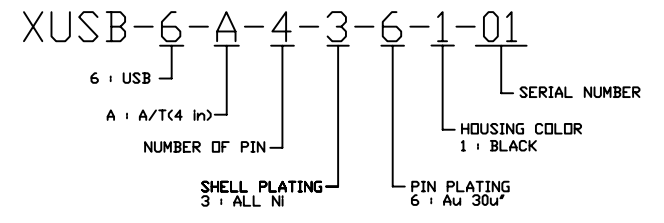
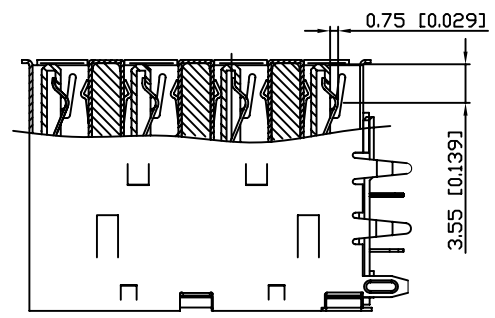
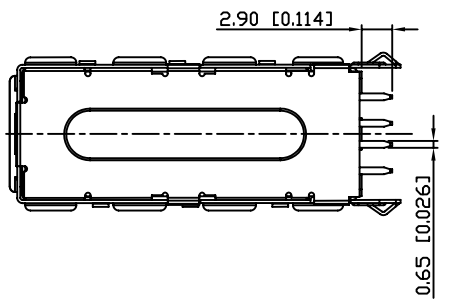
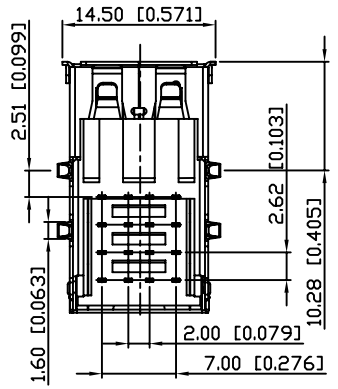
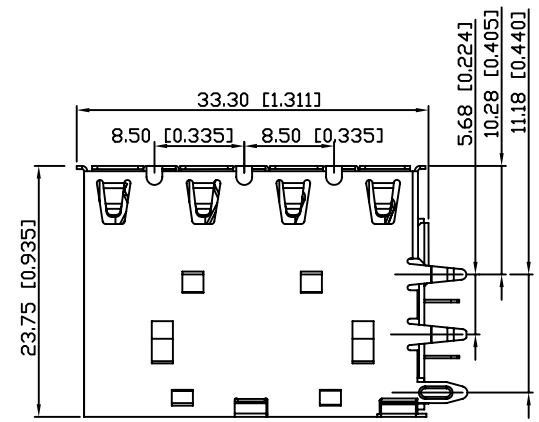


SUGGESTED PCB LAYOUT
(TOP VIEW)

DIMENSIONAL TOLERANCE: .XX ±0.08[0.003]



NOTES:

- ELECTRICAL CHARACTERISTICS:
CONTACT CURRENT RATING: 1 AMPERES.
DIELECTRIC WITHSTANDING VOLTAGE: AC 750V R.M.S.
INSULATION RESISTANCE: 1000 MEGOHMS MINIMUM.
CONTACT RESISTANCE: 30 MILIOHMS MAXIMUM.
- ENVIRONMENTAL
OPERATING TEMPERATURE: -40°C TO +60°C.
- MECHANICAL:
MATING FORCE: 35N MAX
UNMATING FORCE: 10N MIN
- MATERIAL
CONTACTS: COPPER ALLOY, 30u" GOLD ON CONTACT AREA.
INSULATOR: PBT, BLACK COLOR
SHELL: COPPER ALLOY, PLATED WITH NICKEL
- UNSPECIFIED TOLERANCE: .XX ±0.25
X ±0.30

RoHS Compliant

X MULTIPLE			CONNECTING THE INFORMATION AGE	
MULTIPLE ASIA 4F, No. 347, Yang Guang St., Neihu, Taipei, Taiwan 11475		MULTIPLE ASIA 1420 Los Angeles Ave., Suite G, Simi Valley, CA 93065		G/ND
THIS DRAWING IS A CONTROLLED DOCUMENT.				
TITLE: USB A TYPE (4 STACKED)			DWG NO: XUSB-6-A-4-3-6-1-01	
PART NO: XUSB-6-A-4-3-6-1-01			DRAWN: IVAN	
			CHKD: JEFF	
DIMENSIONS		SHEET	REV	DATE:
mm[inch]		1 of 1	01	Oct,12,07