

RoHS COMPLIANT

REVISIONS				
REV	ECN NO.	DESCRIPTION	APPROVED BY	DATE

Product Specification

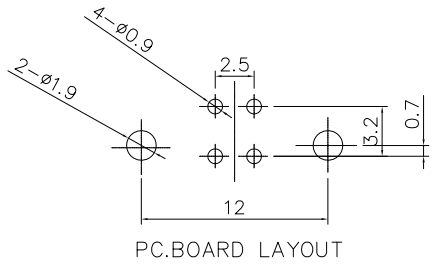
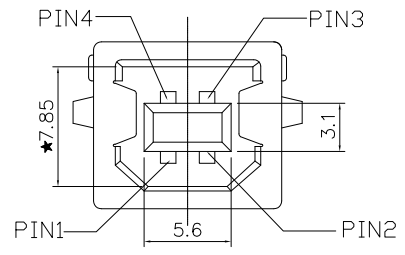
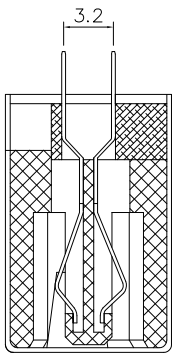
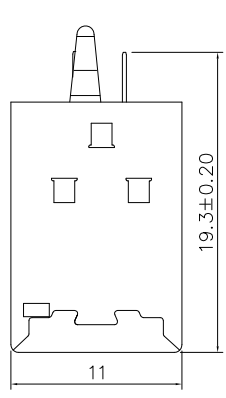
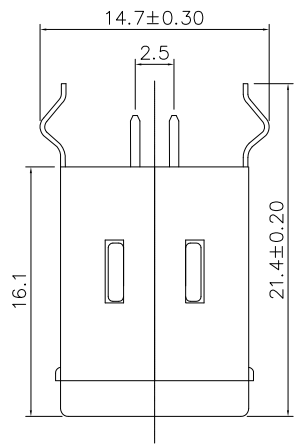
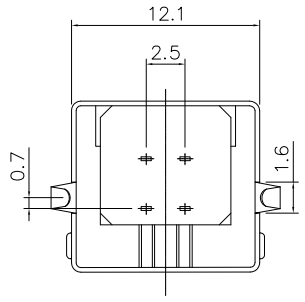
RATING:
 VOLTAGE RATING: 30V AC (rms)
 CURRENT RATING: 1.0A MAX

ELECTRICAL CHARACTERISTICS:
 CONTACT RESISTANCE: 30 milliohms max
 INSULATION RESISTANCE: 100 megohms min
 DIELECTRIC WITHSTANDING VOLTAGE: 500 V DC/1min
 TOTAL MATING FORCE: 3.57 kgf max
 TOTAL UNMATING FORCE: 1.0 kgf min
 TEMPERATURE RANGE: -40°C ~ 85°C

Ordering Information

XUS-SM186b - $\frac{XX}{a}$ $\frac{X}{b}$ $\frac{X}{c}$ $\frac{X}{d}$ $\frac{X}{e}$ - CE1

- a. No. Of Pins
04: 04 positions
- b. Contact Type
1: Male
2: Female (Standard)
- c. Contact Plating
0: Gold flash selective gold
1: 5u' selective gold on contact
2: 15u' selective gold on contact
3: 30u' selective gold on contact
4: 50u' selective gold on contact
- d. Shell Plating
1: Nickel
2: Tin
- e. Insulator Color
1: Black
2: Beige
3: White
4: Black high temperature



DO NOT SCALE DRAWING

DIMENSIONS: <input type="checkbox"/> mm [INCH] <input type="checkbox"/> INCH [mm] <input checked="" type="checkbox"/> mm ONLY	CAD GENERATED DRAWING, DO NOT MANUALLY UPDATE DRAWN BY AND DATE JUSTIN XING 07-12-06	Xmultiple Technology, Inc.	
UNLESS OTHERWISE SPECIFIED, GENERAL TOLERANCE: DECIMALS ANGLES .X ±0.38 [0.015] X° ±3° .X ±0.25 [0.010] .X° ±1.0° .XX ±0.13 [0.005]	CHECKED BY AND DATE JUSTIN XING 07-12-06 APPROVED BY AND DATE KING CHIU 07-12-06	TITLE USB P.C.B. 180D TYPE (B TYPE)	
MATERIAL FINISH	THIRD ANGLE PROJECTION 	DRAWING NO. XUS-SM186b-042011-CE1	REV A
SCALE: 3 : 1	SIZE: A3	FILE NO.:	SHEET 1 OF 1