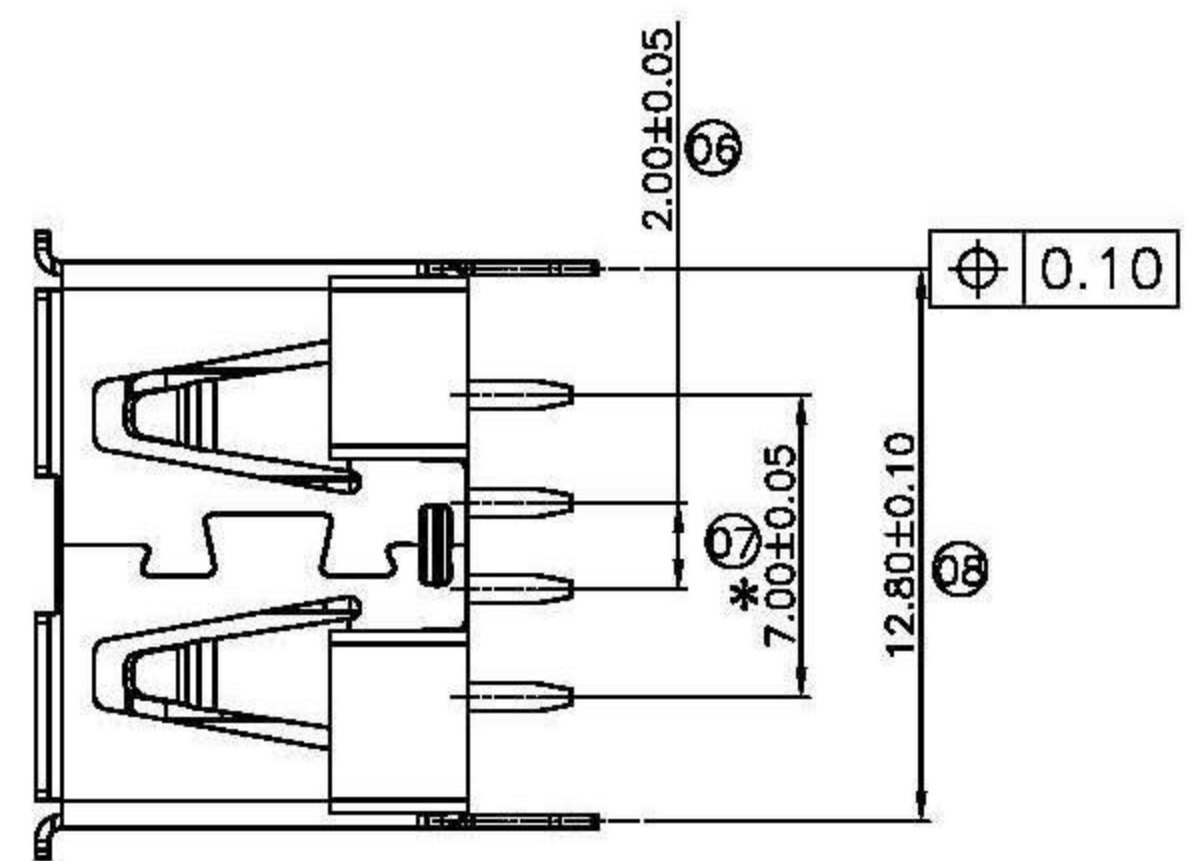
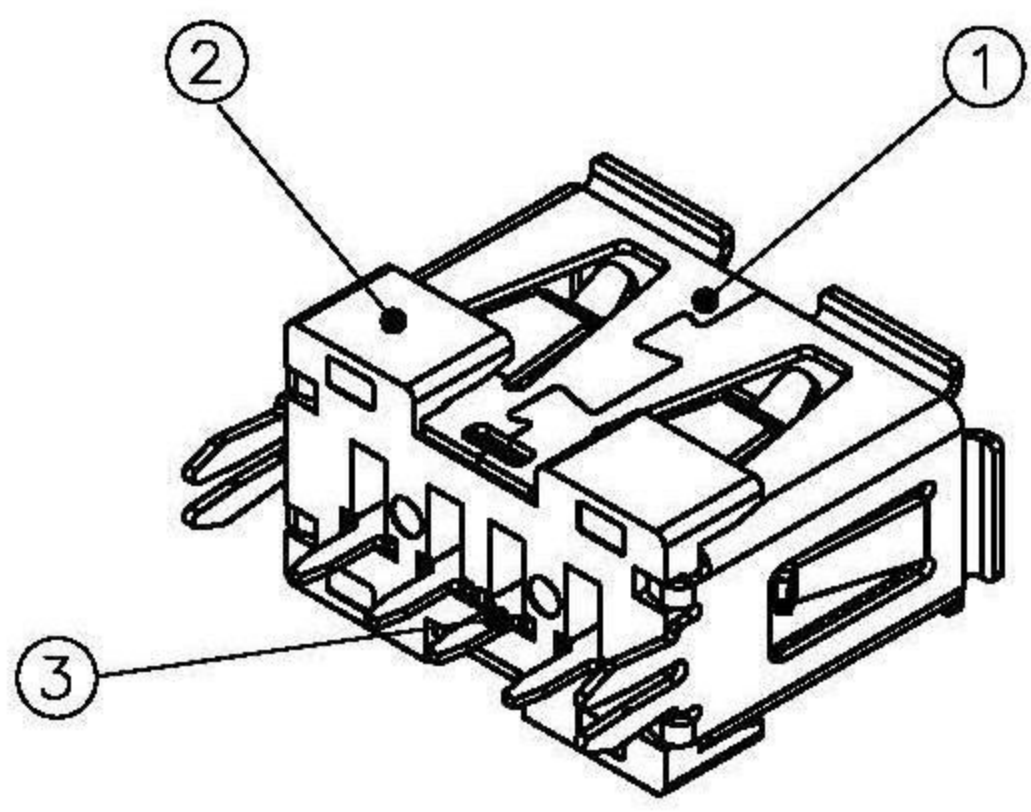
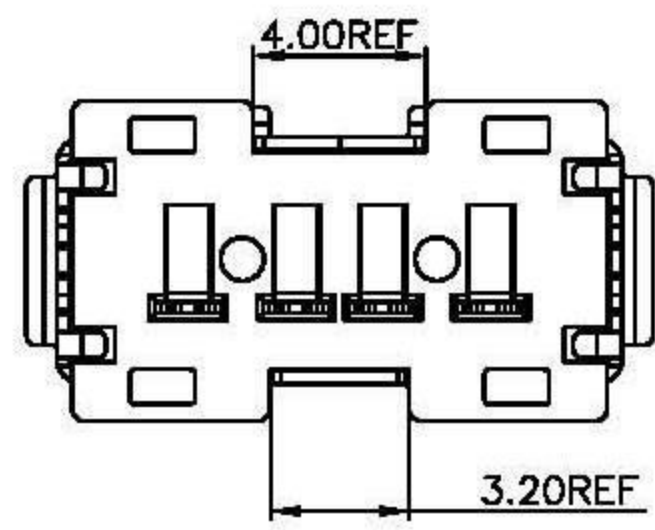
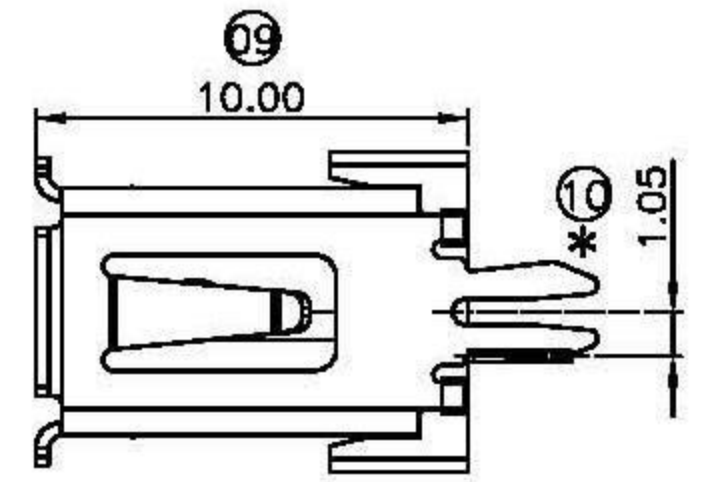
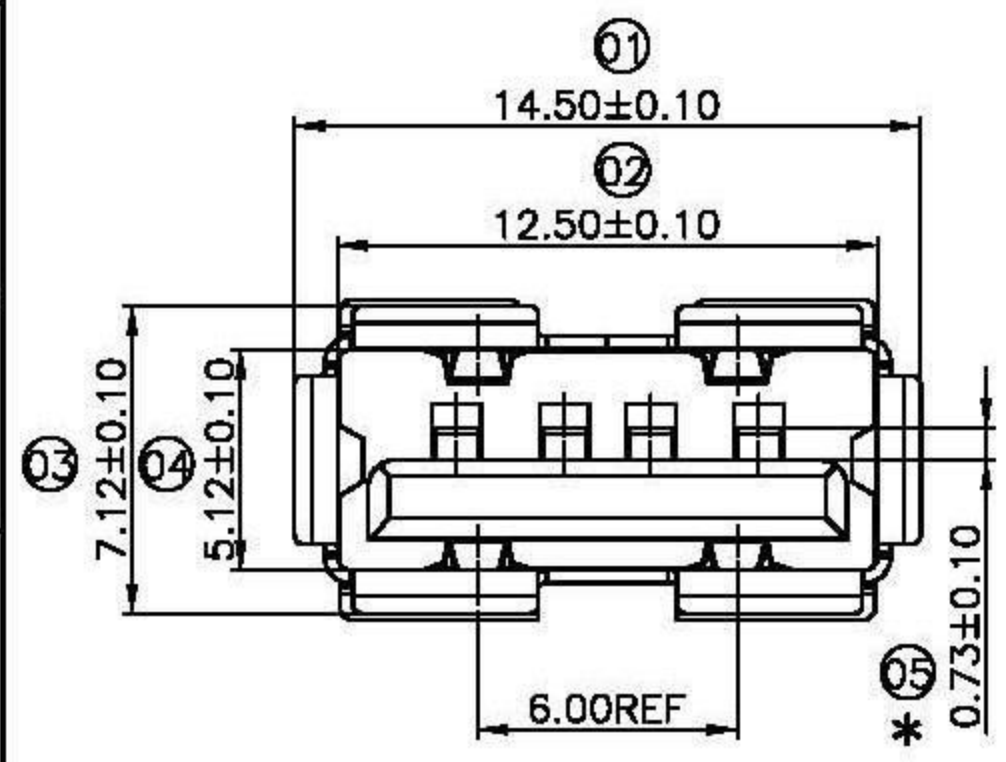


版本 REV.	设计内容 MODIFICATION	日期 DATE	修改 DRAW	核准 APPROVE
A0	NEW	10.04.15		



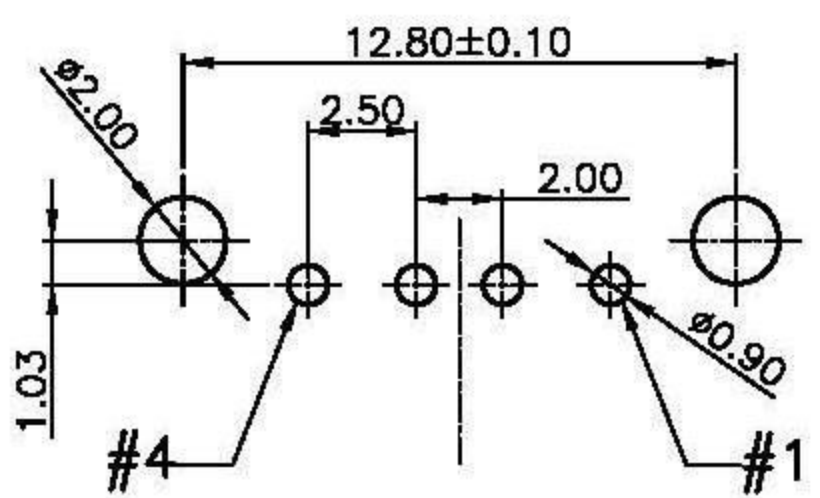
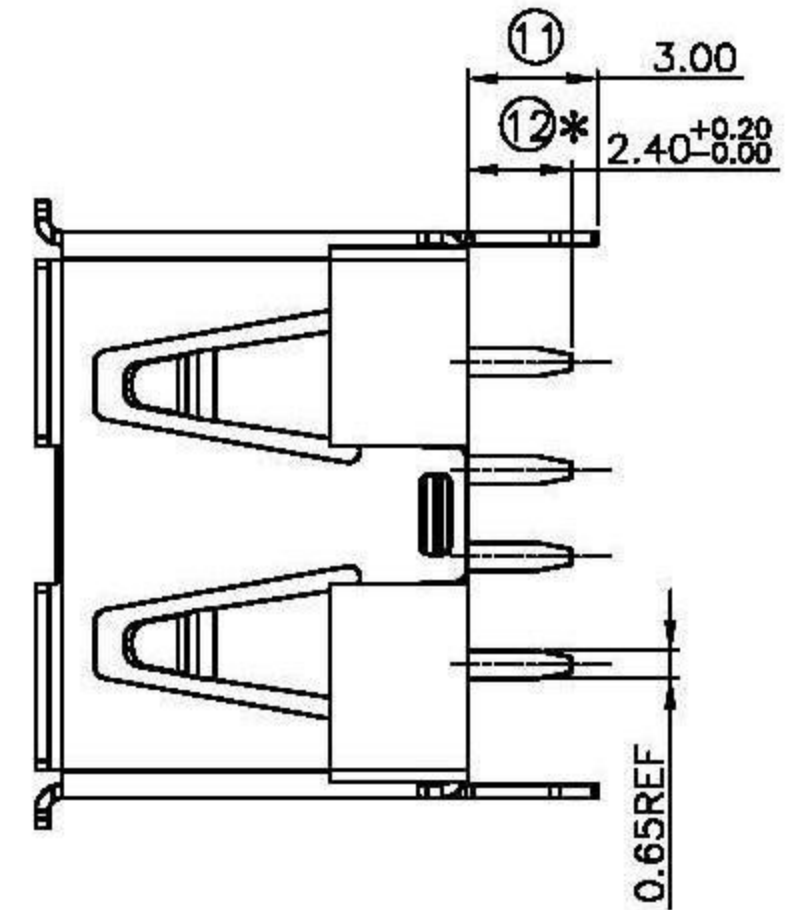
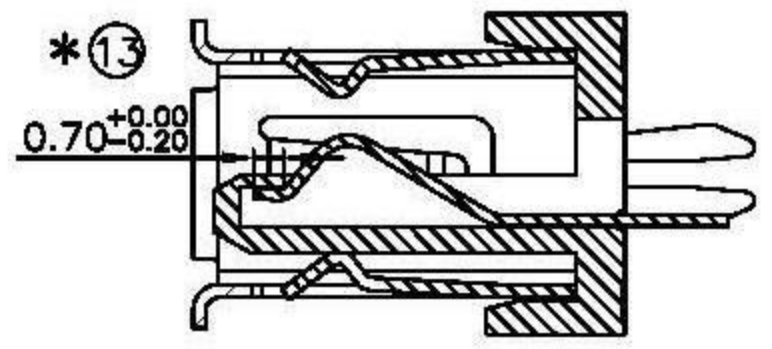
NOTE:
 1. ELECTRICAL:
 1.1 CONTACT RESISTANCE : 30 MILLIOHMS MAX.
 1.2 DIELECTRIC WITHSTANDING VOLTAGE : 500 VAC FOR 1 MINUTE.
 1.3 INSULATION RESISTANCE : 1000 MEGAOHMS MIN. AT 500 VDC
 2. MECHANICAL:
 2.1 DURABILITY : 1500 CYCLES MIN.
 2.2 MATING FORCE 35N MAX. UNMATING FORCE 10N MIN.
 3. ENVIRONMENTAL:
 OPERARION TEMPERATURE : -25°C~+85°C



ORDER INFORMATION:

UA 004 F W - 3 T 1
 ① ② ③ ④ ⑤ ⑥ ⑦

- SERES NO.
USB A TYPE
- NUMBER OF CONTACTS
004: 4 POSITIONS
- CONNECTING TYPES:
F: FEMALE M: MALE
- BASE COLOR CODE
W: WITER B: BLACK
- CONTACT FINISH
1: SELECTIVE3 1u" COLD PLATED OVER NICKL
3: SELECTIVE3 3u" COLD PLATED OVER NICKL
15: SELECTIVE3 15u" COLD PLATED OVER NICKL
- PACKING
T: TRAY B: TUBE R: RELL P: PAG
- SUFFIX NO.



RECOMMENDED PCB LAYOUT

3	CONTACT	BRONZE	SEE ORDER INFORMATION		制图 DRAWN	单位 UNIT	mm	TOLERANCE UNLESS OTHERWISE SPECIFIED	XMULTIPLE
2	HOUSING	TEM.PLASTIC			审核 CHECKED	比例 SCALE	1:1	.X±0.25 X'±3'	
1	SHELL	Copper Alloy	NICKLE PLATING 50 u" MIN.		核准 APPROVE	图框 SIZE	A4	.XX±0.15 .X'±1'	
项次 NO.	品名 NAME	材质 MATERIAL	表面处理 PLATING	备注 REMARK	角法 PROJ.	张数 SHEET	1/1	.XXX±0.05 .XX±	品名 TITLE USB AF 180度插板短体成品
									图号 DWG NO. XUS-AF-P01-TK