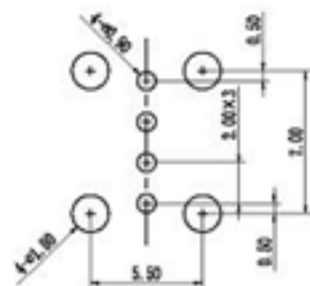
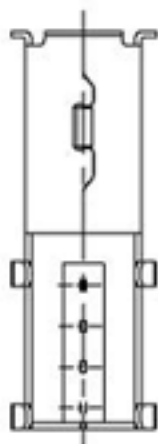
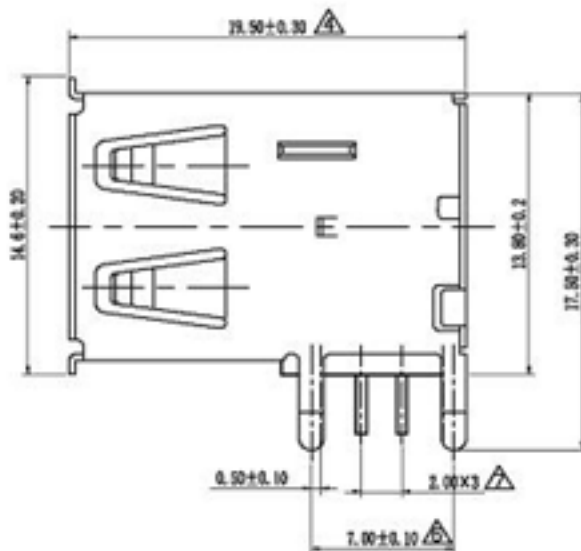
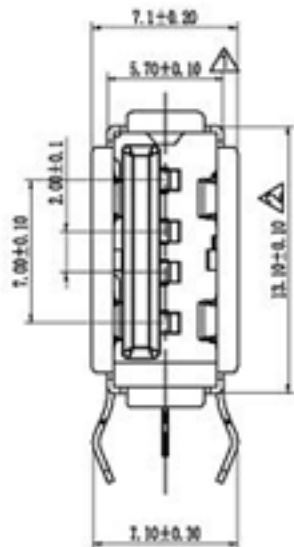


YZZ-DES-D2079A

序号 ITEM	品名 PART NAME	材质 MATERIAL	数量 NUM	颜色 COLOR	附加 FINISHING	备注 REMARK
1	端子M1	黄铜	2		镀镍后镀金镀层	
2	端子M2	黄铜	2		镀镍后镀金镀层	
3	主体	PBT	1	白色/黑色		
4	外壳	黄铜包铁带	1		镀镍	



SUGGESTED PCB LAYOUT
GENERAL TOLERANCE: ±0.05

NOTE:
RARING
*VOLTAGE RATING: 30V AC (Rms)
*CURRENT RATING: 1.5A MAX
ELECTRICAL CHARACTERISTICS
*CONTACT RESISTANCE: 30mΩ MAX
*INSULATION RESISTANCE: 1000MΩ MIN
*DIELECTRIC WITHSTANDING VOLTAGE: 500V AC AT 1Minute

MATERIALS
*TERMINAL: Brass Plating Nickel before Plating Gold Tin.
*HOUSING: PBT.
*SHELL: Brass & SPOC Plating Nickel.
TERMINALS: Gold Plating :G/F 3U 5U*10*15U*30U*50U*
*DIMENSIONS MARKED "△" TO BE CHECKED BY QC & IPQC
*PART MUST COMPLY YZZ ROHS SPECIFICATION.

版本REV	更新内容/REV IS DONNOTE	日期DATE	公差 TOLERANCE	品名ARTICLE:	
			X. ±0.30	X.* ±3°	XMULTIPLE USB-A 母 90° 侧立直插式 USB-A Type Female 90° DIP Side Entry
			X.X ±0.20	X.X* ±1°	
			X.XX ±0.10		
			X.XXX ±0.05		
绘制DRAWN			视图方法 PROJECTION	图号MODEL	版本 A2
设计DES' D				XUS-A-09F	
审核CHK' D				比例SCALE: 3:1	单位UNIT: mm
批准APPY' D					