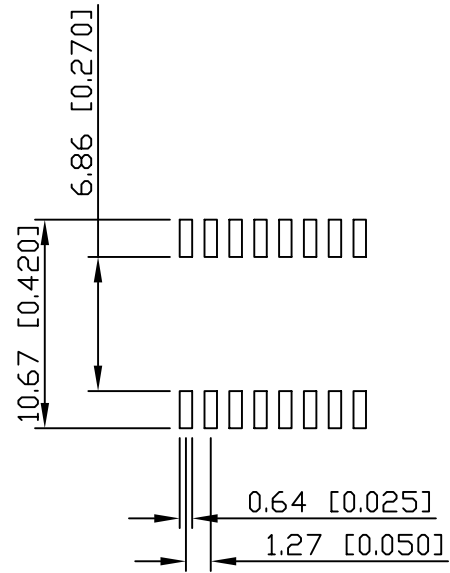
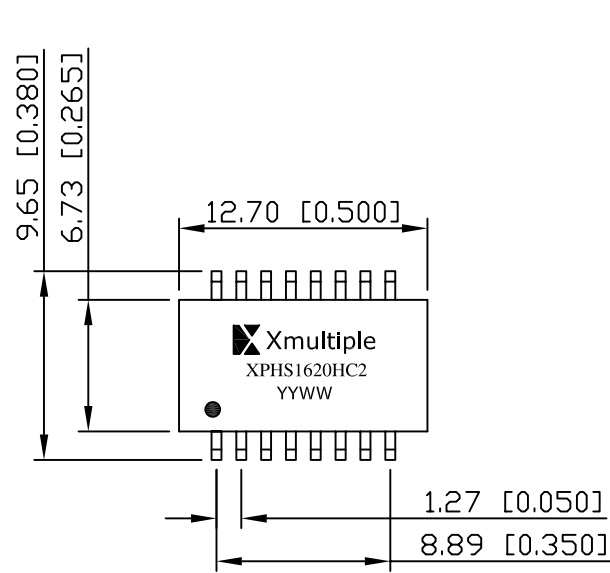
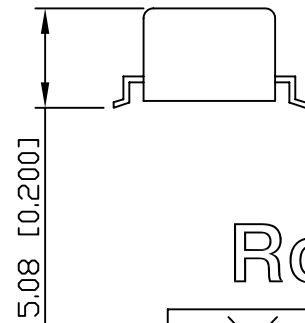


1. MECHANICAL DIMENSIONS :



SUGGESTED PAD LAYOUT

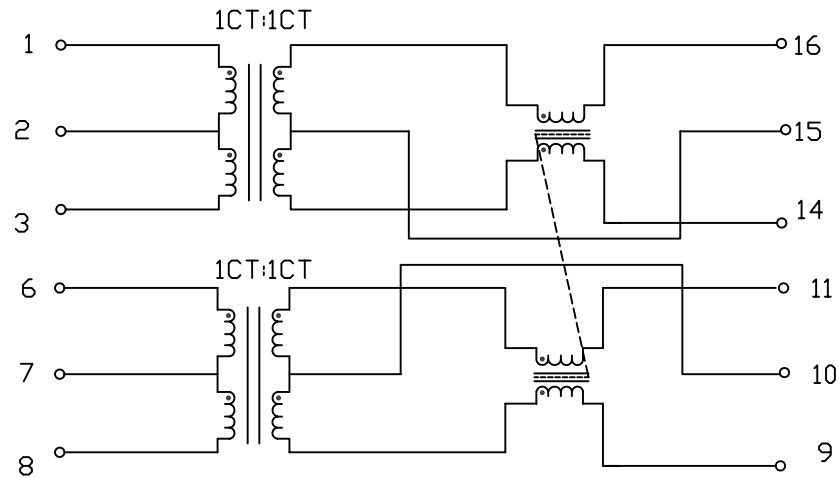


RoHS Compliant

Dimensions: mm [Inches]
 Unless otherwise specified, all tolerances are ± 0.25 [0.010]

		CONNECTING THE INFORMATION AGE		
				XMULTIPLE ASIA 4F, No. 347, Yang Guang St., Neihu, Taipei, Taiwan 11475
THIS DRAWING IS A CONTROLLED DOCUMENT.				DWG NO: XTFZ-PHS1620HC2
TITLE: High Speed Lan 10/100 Base-T(PoE) Magnetics Module			DRAWN: TOM	
PART NO: XTFZ-PHS1620HC2			CHKD: TARA	
		UNIT mm	SHEET 1 of 2	REV 01
			DATE: Apr.03,09	

2. SCHEMATIC :



3. ELECTRICAL CHARACTERISTICS :

TEST NOTES:($25^{\circ}\pm 5^{\circ}\text{C}$)

1. TR:(100KHz,0.1V)
PINS:(1,3):(16,14)= $1:1\pm 3\%$;(6,8):(11,9)= $1:1\pm 3\%$
2. LX:(100KHz,100mV,8mA, DC Bias)
PINS:(1,3),(6,8)=350uH MINIMUM
3. DCR
PINS:(16,14),(11,9),=0.9 Ω MAXIMUM
4. HIPOT:
PINS:(1,2,3)TO PINS:(16,15,14)=1500VAC FOR 60 SECONDS
PINS:(6,7,8)TO PINS:(11,10,9)=1500VAC FOR 60 SECONDS
5. INSERTION LOSS:
-11dB MAXIMUM AT 1MHz TO 100MHz
6. RETURN LOSS:
-18dB MINIMUM AT 1MHz TO 30MHz
-14dB MINIMUM AT 40MHz
-13dB MINIMUM AT 50MHz
-12dB MINIMUM AT 60MHz TO 80MHz
7. CROSS TALK:
-45dB MINIMUM AT 1MHz TO 30MHz
-35dB MINIMUM AT 60MHz TO 100MHz
8. COMMON TO COMMON MODE REJECTION:
-40dB MINIMUM AT 1MHz TO 30MHz
-35dB MINIMUM AT 60MHz
-30dB MINIMUM AT 80MHz TO 100MHz
9. OPERATING TEMPERATURE : $-40^{\circ}\text{C} \sim +85^{\circ}\text{C}$

RoHS Compliant

X MULTIPLE		CONNECTING THE INFORMATION AGE	
XMULTIPLE ASIA 4F, No. 347, Yang Guang St., Neihu, Taipei, Taiwan 11475		XMULTIPLE USA 1420 Los Angeles Ave., Suite G, Simi Valley, CA 93065	
THIS DRAWING IS A CONTROLLED DOCUMENT.		DWG NO: XTFZ-PHS1620HC2	
TITLE: High Speed Lan 10/100 Base-T(PoE) Magnetics Module		DRAWN: TOM	
PART NO: XTFZ-PHS1620HC2		CHKD: TARA	
		UNIT	SHEET
		mm	2 of 2
		REV	DATE
		01	Apr.03,09