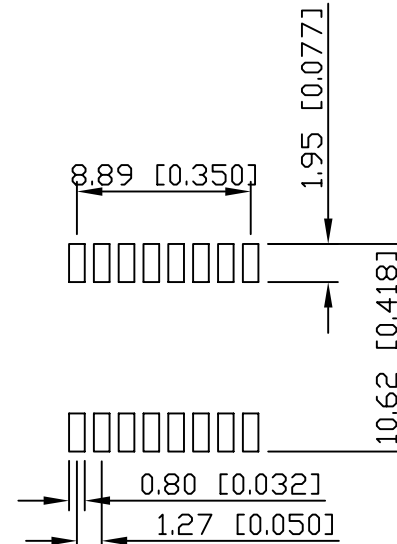
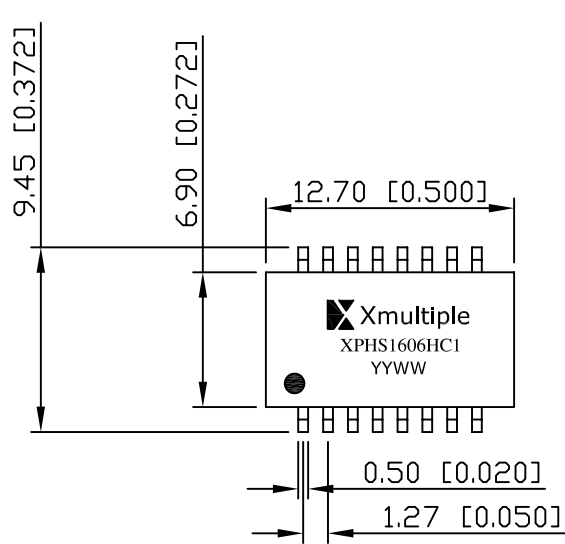
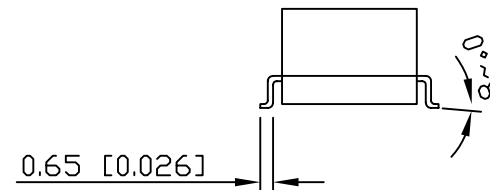
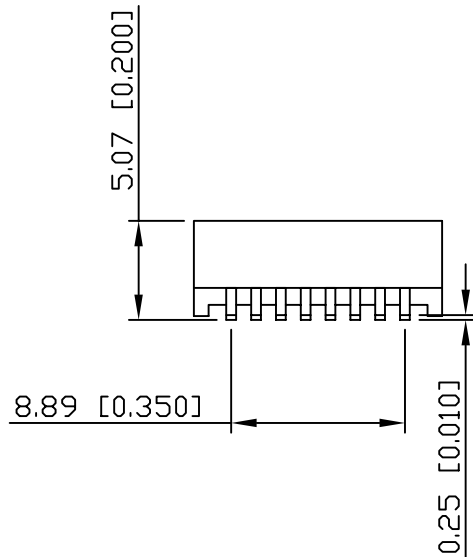


# 1. MECHANICAL DIMENSIONS :



SUGGESTED PAD LAYOUT

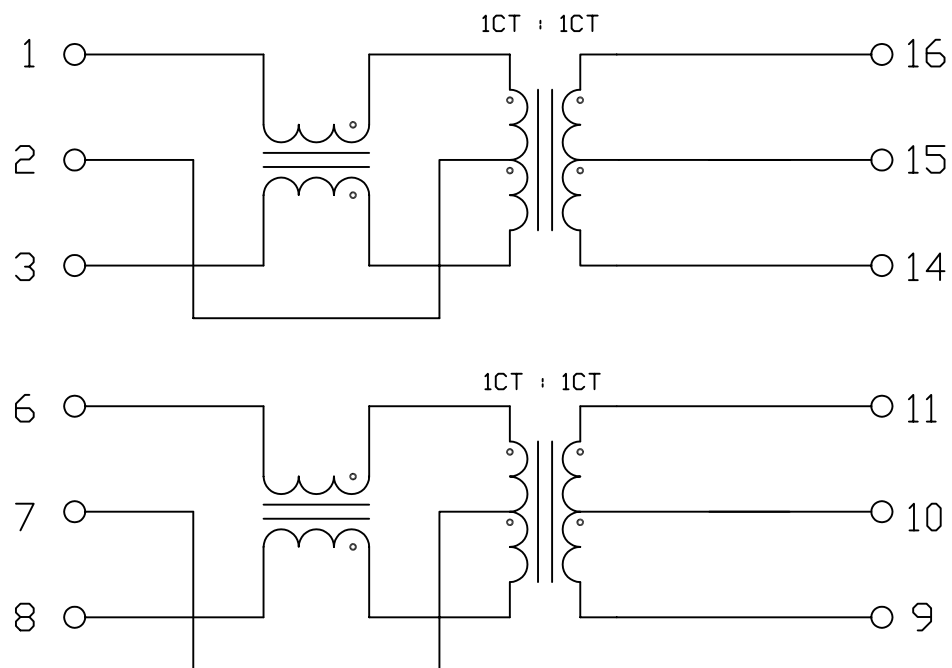


## RoHS Compliant

Operating temperature: -40°C ~ +85°C  
 Dimensions: mm [Inches]  
 Unless otherwise specified, all tolerances are ±0.25 [0.010]

		CONNECTING THE INFORMATION AGE		
				XMULTIPLE ASIA 4F, No. 347, Yang Guang St., Neihu, Taipei, Taiwan 11475
THIS DRAWING IS A CONTROLLED DOCUMENT.				DWG NO: XTFZ-PHS1606HC1-MGP
TITLE: 10/100BASE-T TRANSFORMER MODULES WITH POE			DRAWN: IVAN	
PART NO: XTFZ-PHS1606HC1-MGP			CHKD: TARA	
	UNIT mm	SHEET 1 of 2	REV 01	
DATE: Jun.10,09			F	

## 2. SCHEMATIC :




## 3. ELECTRICAL CHARACTERISTICS :

TEST NOTES:(25°±5°C)

- TR:(100KHz,0.1V)  
PINS:(1,3):(16,14)=1:1±3%;(6,8):(11,9)=1:1±3%
- LX:(100KHz,100mV,8mA, DC Bias)  
PINS:(6,8),(11,9)=350uH MINIMUM
- DCR  
PINS:(16,14),(11,9),=0.9Ω MAXIMUM
- HIPOT:  
PINS:(1,2,3)TO PINS:(16,15,14)=1500VAC FOR 60 SECONDS  
PINS:(6,7,8)TO PINS:(11,10,9)=1500VAC FOR 60 SECONDS
- INSERTION LOSS:  
-1.1dB MAXIMUM AT 1MHz TO 100MHz
- RETURN LOSS:  
-18dB MINIMUM AT 1MHz TO 30MHz  
-14dB MINIMUM AT 40MHz  
-13dB MINIMUM AT 50MHz  
-12dB MINIMUM AT 60MHz TO 80MHz
- CROSS TALK:  
-45dB MINIMUM AT 1MHz TO 30MHz  
-35dB MINIMUM AT 60MHz TO 100MHz
- COMMON TO COMMON MODE REJECTION:  
-40dB MINIMUM AT 1MHz TO 30MHz  
-35dB MINIMUM AT 60MHz  
-30dB MINIMUM AT 80MHz TO 100MHz
- OPERATING TEMPERATURE: -40°C ~ +85°C

# RoHS Compliant

<b>X</b> MULTIPLE			CONNECTING THE INFORMATION AGE	
XMULTIPLE ASIA 4F, No. 347, Yang Guang St., Neihu, Taipei, Taiwan 11475		XMULTIPLE USA 1420 Los Angeles Ave., Suite G, Simi Valley, CA 93065		G/ND
THIS DRAWING IS A CONTROLLED DOCUMENT.				DWG NO: XTFZ-PHS1606HC1-MGP
TITLE: 10/100BASE-T TRANSFORMER MODULES WITH PDE				DRAWN: IVAN
PART NO: XTFZ-PHS1606HC1-MGP				CHKD: TARA
	UNIT	SHEET	REV	DATE: Jun.10,09
mm	mm	2 of 2	01	