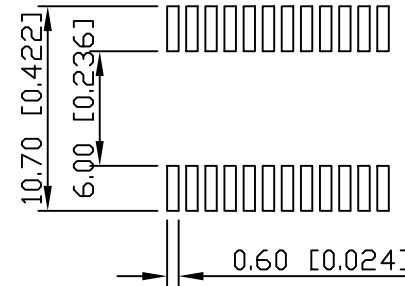
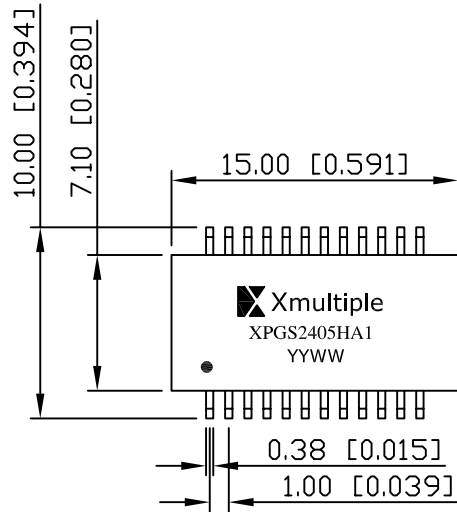
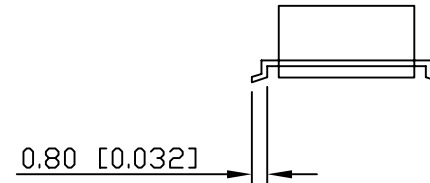
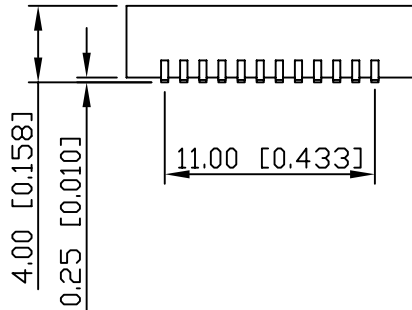


1. MECHANICAL DIMENSIONS :



SUGGESTED PAD LAYOUT

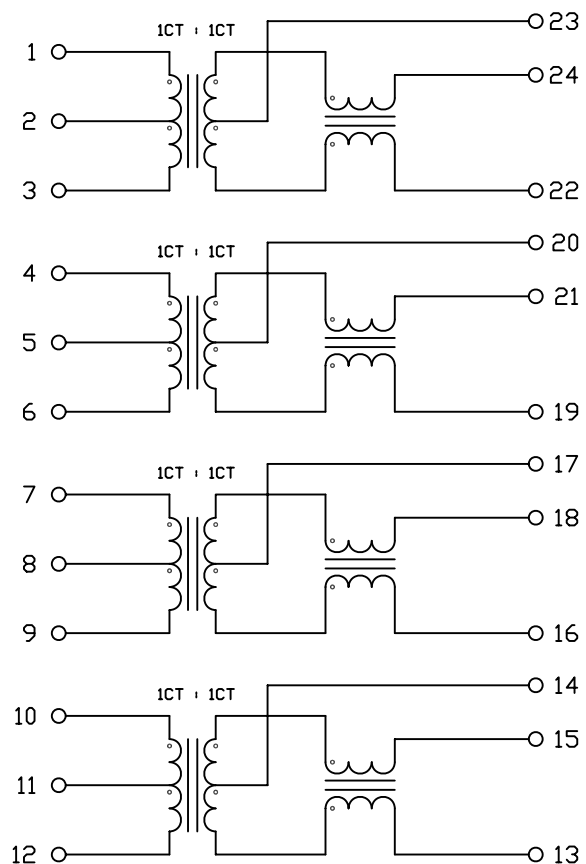


RoHS Compliant

Dimensions: mm [Inches]
 Unless otherwise specified, all tolerances are ± 0.25 [0.010]

			CONNECTING THE INFORMATION AGE		
					G/NO:
XMULTIPLE ASIA 4F, No. 347, Yang Guang St., Neihu, Taipei, Taiwan 11475			XMULTIPLE USA 1420 Los Angeles Ave., Suite G, Simi Valley, CA 93065		
THIS DRAWING IS A CONTROLLED DOCUMENT.					
TITLE: High Speed Lan 100 Base-T/1000 Base Magnetics Module For PoE			DWG NO: XTFZ-PGS2405HA1		
PART NO: XTFZ-PGS2405HA1			DRAWN: TOM		
			CHKD: TARA		
UNIT mm[Inch]		SHEET 1 of 2	REV 01	DATE: Apr.02,09	

2. SCHEMATIC :



3. ELECTRICAL CHARACTERISTICS :

TEST NOTES:(25°±5°C)

- TR:(100KHz,0.1V)
PINS:(1,3):(24,22)=1:1±3%;(4,6):(21,19)=1:1±3%
PINS:(7,9):(18,16)=1:1±3%;(10,12):(15,13)=1:1±3%
- LX:(100KHz,100mV,8mA, DC Bias)
PINS:(1,3),(4,6),(7,9),(10,12)=350uH MINIMUM
- DCR
PINS:(24,22),(21,19),(18,16),(15,13)=0.9 Ω MAXIMUM
- HIPOT:
PINS:(1,2,3)TO PINS:(24,23,22)=1500VAC FOR 60 SECONDS
PINS:(4,5,6)TO PINS:(21,20,19)=1500VAC FOR 60 SECONDS
PINS:(7,8,9)TO PINS:(18,17,16)=1500VAC FOR 60 SECONDS
PINS:(10,11,12)TO PINS:(15,14,13)=1500VAC FOR 60 SECONDS
- INSERTION LOSS:
-1.0dB MAXIMUM AT 1MHz TO 100MHz
- RETURN LOSS:
-18dB MINIMUM AT 1MHz TO 40MHz
-15dB MINIMUM AT 60MHz
-12dB MINIMUM AT 80MHz
- CROSS TALK:
-40dB MINIMUM AT 1MHz TO 30MHz
-35dB MINIMUM AT 60MHz
-30dB MINIMUM AT 100MHz
- COMMON TO COMMON MODE REJECTION:
-40dB MINIMUM AT 1MHz TO 30MHz
-40dB MINIMUM AT 60MHz
-35dB MINIMUM AT 80MHz TO 100MHz
- OPERATING TEMPERATURE : -40°C ~ +85°C

RoHS Compliant

X MULTIPLE			CONNECTING THE INFORMATION AGE	
XMULTIPLE ASIA 4F, No. 347, Yang Guang St., Neihu, Taipei, Taiwan 11475		XMULTIPLE USA 1420 Los Angeles Ave., Suite G, Simi Valley, CA 93065		G/NO:
THIS DRAWING IS A CONTROLLED DOCUMENT.				DWG NO: XTFZ-PGS2405HA1
TITLE: High Speed Lan 100 Base-T/1000 Base Magnetics Module For PoE				DRAWN: TOM
PART NO: XTFZ-PGS2405HA1				CHKD: TARA
		UNIT	SHEET	REV
		mm[Inch]	2 of 2	01
				DATE: Apr.02,09